

en

Swing Gate Operator Installation Manual*

fr

Manuel d'installation de l'opérateur de porte battante

nl

Installatiehandleiding draaihekaandrijving

de

Installationshandbuch für Drehtorantriebe

pl

Instrukcja instalacji operatora bramy skrzydłowej

cs

Instalační manuál pro obsluhu křídlové brány

sk

Inštačný manuál k pohonu krídlovej brány

sl

Priročnik za namestitev upravljalnika krilnih vrat

hu

Swing kapu Üzemeltető Installation Manual

* For GB (UK, NI) specific information on national regulations and requirements see English part of the manual.

TABLE OF CONTENTS

NOTE:The original installation and operating instructions were compiled in English. Any other available language is a translation of the original English version.

1. SAFETY INSTRUCTIONS AND INTENDED USE.....	2
2. DELIVERY SCOPE.....	4
3. TOOLS NEEDED.....	4
4. OVERVIEW OF GATE OPERATOR.....	4
5. MECHANICAL INSTALLATION.....	5
5.1 Dimensions of Gate and Operator.....	5
5.2 Determine the Position of the Post Bracket.....	5
5.3 Post Bracket Installation.....	6
5.4 Operator Mounting and Travel Distance Adjustment.....	6
5.5 Emergency Release Mechanism.....	8
5.6 Control Board Installation and Motor Wiring.....	8
5.7 Power Wiring.....	8
6. WIRING DIAGRAM.....	9
7. PROGRAMMING.....	10
7.1 Display, Programming Buttons and Function Setting.....	10
7.2 General Programming Overview.....	10
7.3 Wing Movement Direction.....	11
7.4 Basic Settings.....	11
7.4.1 Application Settings.....	11
7.4.2 Direction Motor 1 Settings.....	11
7.4.3 Direction Motor 2 Settings.....	11
7.4.4 Limit Learning.....	11
7.5 Stand-by Mode.....	12
7.6 Programming and Erasing of Remote Controls, Radio Accessories and myQ Devices.....	13
7.7 Advanced Settings.....	14
7.7.1 Overview Advanced Settings.....	14
7.7.2 Transmitter Settings.....	14
7.7.3 Infrared Photocells Settings.....	14
7.7.4 Input Settings.....	14
7.7.5 Partial Opening Motor 1.....	15
7.7.6 Delay Motor 2 in Open Direction.....	15
7.7.7 Delay Motor 1 in Close Direction.....	15
7.7.8 Timer to Close.....	15
7.7.9 Reversal Time after Impact.....	15
7.7.10 E-Lock / Mag-Lock Settings.....	15
7.7.10a Relief Motor 1 for E-Lock.....	16
7.7.11 Flashing Light Settings.....	16
7.7.11a Pre-Flashing.....	16
7.7.12 Special Contact Settings.....	16
7.7.13 Start Speed in Open and Close Directions.....	16
7.7.14 Maintenance Counter.....	16
7.7.15 Password Protected Functions and Setup.....	16
7.7.15a Password Setup.....	16
7.7.15b Password Use.....	17
7.7.15c Password Change.....	17
7.7.15d Force Motors 1 and 2 in Open and Close Directions.....	17
7.7.15e Speed Motors 1 and 2 in Open and Close Directions.....	17
7.7.15f Soft-Stop Speed.....	18
7.8 Factory Default Settings.....	18
7.9 Finish and Exit.....	18
8. BATTERY BACKUP.....	18
9. ERROR CODES.....	18
10. TECHNICAL DATA.....	19
11. MAINTENANCE.....	20
12. DISPOSAL.....	20
13. WARRANTY.....	20
14. DECLARATION OF CONFORMITY.....	20

1. SAFETY INSTRUCTIONS AND INTENDED USE

About this Manual – Original Manual

These instructions are the original operating instructions according the machinery directive 2006/42 EC. The instruction manual must be read carefully to understand important product information. Pay attention to the safety and warning notices. Keep the manual in safe place for future reference and to make it available to all persons for inspection, service, maintenance and repair. After installation pass the complete documentation to the responsible person/owner.

Qualification of a competent installer

Only correct installation and maintenance by a competent installer (specialist) / competent company, in accordance with the instructions, must understand and ensure the safe and intended function of the installation. Specialist is, who on the basis of their technical training and experience, has sufficient knowledge in the field of powered gates and moreover is familiar with relevant state occupational safety regulations and generally accepted rules of technology in such an extent that he is also able to assess the safe working condition of powered gates according to EN 13241, 12604, 12453 (EN12635)

The installer must understand the following:

Before installing the drive, check that the driven part is in good mechanical condition, opens and closes properly and correctly balanced where applicable




Before first use and at least annually a specialist must inspect powered gate regarding their safe condition. After installation, the installer must ensure that the mechanism is properly adjusted and that the protection system and any manual release function correctly (EU: EN 13241, EN12604, EN 12453, EN 12635; GB (UK, NI) BS EN 13241, BS EN12604, BS EN 12453, BS EN12635). A regular maintenance, inspection must be carried out according to the standards. The installer must instruct other users on the safe operation of the drive system.

After successful installation of the drive system, the responsible installer, in accordance with the EU: Machinery Directive 2006/42/EC; GB (UK, NI): Supply of Machinery (Safety) Regulations 2008 SI 2008 No. 1597, must issue the EU: CE / GB (UK,NI): UK declaration of conformity for the gate system. The EU: CE / GB (UK,NI): UKCA mark label must be attached to the gate system. This is also obligatory in the process of retrofitting on a manually operated gate. Further, a handover pack and an inspection book must be completed.

Please read the operating instructions and especially the precautions. The following symbols are placed in front of instructions to avoid personal injury or damage to property. Read these instructions carefully.

Warnings Symbols

The general warning symbol indicates a danger that can lead to injuries or death. In the text section, the general warning symbols are used as described below.

DANGER Symbol	WARNING Symbol	CAUTION Symbol	ATTENTION Symbol
 DANGER	 WARNING	 CAUTION	ATTENTION
Indicates a danger that leads directly to death or serious injuries.	Indicates a danger that can lead to death or serious injuries.	Indicates a danger that can lead to damage or destruction of the product.	Indicates a danger that can lead to damage or destruction of the product.

Intended use

The swing gate operator is exclusively designed and tested for the operation of smooth-running swing gates in the residential, non-commercial sector.

Specification for gates are defined under mechanical requirements according EU: EN12604 / GB (UK, NI): BS EN 12604.

The maximum permissible gate size and the maximum weight must not be exceeded. The gate must open and close smoothly by hand. Use the operator on gates which comply with the applicable standards and guidelines. Regional conditions of wind loads must be taken into account when using door or gate panels EU: EN13241 / GB (UK, NI): BS EN 13241. Observe the manufacturer's specifications regarding the combination of door and operator. Possible hazards within the meaning of EU: EN13241 / GB (UK, NI): BS EN 13241 are to be avoided by designing and installing the door/gate according to the relevant instructions. This gate mechanism must be installed and operated in accordance with the appropriate safety rules.

Improper use

It is not intended for continuous operation and use in a commercial application.

The construction of the drive system is not designed for the operation of gates outside of manufacturers specification.

It is not permitted on gates that travel with incline/decline.

Any improper use of the drive system could increase the risk of accidents. The manufacturer assumes no liability for such usage. With this drive, automated gates must comply with the current, valid international and country-specific/local standards, guidelines and regulations (EU: EN 13241, EN12604, EN 12453; GB (UK, NI) BS EN 13241, BS EN12604, BS EN 12453).

Only LiftMaster and approved accessories may be connected to the drive. Incorrect installation and/or failure to comply with the following instructions may result in serious personal injury or damage to property.

Gate systems located in public areas and have only force limitation, can only be operated under full supervision.

Additional safety devices should be considered in accordance with EU: EN 12453; GB (UK, NI) BS EN 12453.

1. SAFETY INSTRUCTIONS AND INTENDED USE

During operation, the gate should not under any circumstances obstruct public path ways and roads (public area).

When using tools and small parts to install or carry out repair work on a gate exercise caution and do not wear rings, watches or loose clothing.

To avoid serious personal injury due to entrapments, remove any locking device fitted to the gate in order to prevent damage to the gate.

Installation and wiring must be in compliance with your local building and electrical installation regulations. Power cables must only be connected to a properly earthed supply.

Disconnect electric power to the system before installation, maintenance, repairs or removing covers. A disconnecting device must be provided to the mains power supply (permanently-wired installation) to guarantee all-pole disconnection (isolating switch or by a separate fuse). The repairs and electrical installations may be performed only by an authorised electrician. Emergency Stop Button must be installed for emergency case based on the risk assessment.

Ensure that entrapment between the driven part and the surrounding fixed parts due to the opening movement of the driven part is avoided by respecting the given safety distances in accordance with the EU: EN 13241, EN12604, EN 12453, EN 12635; GB (UK, NI) BS EN 13241, BS EN12604, BS EN 12453, BS EN12635 and/or with safety devices (e.g. safety edge).

Testing of the safety function of the drive system is recommended to be carried out at least once a month. Refer also to manufacturers instruction of the gate system components.

After the installation a final test of the full function of the system and the of the safety devices must be made and all users must be instructed in the function and operation of the swing gate operator.

Gate systems must meet the force limitation according EU: EN 12453, EN 60335-2-103; GB (UK, NI) BS EN 12453, BS EN 60335-2-103.

Additional safety device (safety edge,.) must be considered in accordance to the standard by changes to the system.

It is important to make sure that the gate always runs smoothly. Gates which stick or jam must be repaired immediately. Employ a qualified technician to repair the gate, never attempt to repair it yourself. This device is not intended for use by persons (including children) with restricted physical, sensory or mental abilities or lack of experience or knowledge, unless they are supervised by a person responsible for their safety or have received instruction in how to use the device. If necessary, control equipment MUST be mounted within sight of the gate and out of reach of children. Children should be supervised to ensure that they do not play with the device. Do not allow children to operate push button(s) or remote(s). Misuse of the gate operator system can result in serious injury.

The warning signs should be placed in clearly visible locations.

The gate opener should ONLY be used if the user can see the entire gate area and is assured that it is free of obstacles and the gate operator is set correctly. No one may pass through the gate area while it is moving. Children must not be allowed to play in the vicinity of the gate.

The full protection against potential crushing or entrapment must work immediately when the drive arms are installed.

There may be existing hazards on mechanical, electrical installation or the closing edges of the gate by crushing, impact points:

- Structural failure, leaf, hinges, fixings, travel stops, wind load
- Crush, hinge area, under the gate, safety distance on fixed object
- Electrical failure (Control – faults in safety systems)
- Impact, swept area, hold to run, force limitation, presence detection

Appropriate measures must be taken to ensure safe operation of the gate system according the standards.

Never start up a damaged drive.

Use the manual release only to disengage the drive and – if possible – ONLY when is gate closed. Operation of the emergency manual release can lead to uncontrolled movements of the gate. The Timer-to-Close (TTC) feature, the myQ Smartphone Control app, are examples of unattended operation of the gate.

Any device or feature that allows the gate to close without being in the line of sight of the gate is considered as unattended open/close.

The Timer-to-Close (TTC) feature, the myQ Smartphone Control, and any other myQ devices can ONLY be activated when Liftmasters photo cells are installed (TTC works only in close direction). The gate shall only be operated in the direct sight line to the gate.

IMPORTANT INFORMATION!

- This procedure is also required on private installations (new or retrofitted to a manually operated gate).
This installation and operating manual must be retained by the user.
- The manufacturer accepts no liability/warranty claims resulting from use other than intended use and after the warranty expires.
- The legal remedy is the sole responsibility for all associated rights.

NOTE: Observe the installation and operating manual.

- Always monitor the function of the system and rectify the cause immediately in the event of a malfunction.
- Carry out an annual inspection of the system. Call a specialist.
- Safety distances must be respected between the gate leaf and the environment in accordance with related standards.
- The operator can be installed Only on stable and rigid gate leaves. Gate leaves must not bend or twist when opening and closing.
- Assure that the hinges of the gate leaf are installed and working correctly and not creating any obstacles.
- Installation of two operators on same door leaf is strictly prohibited.

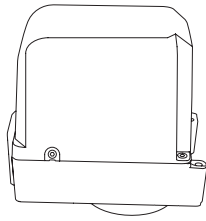


2. DELIVERY SCOPE

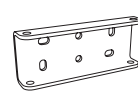
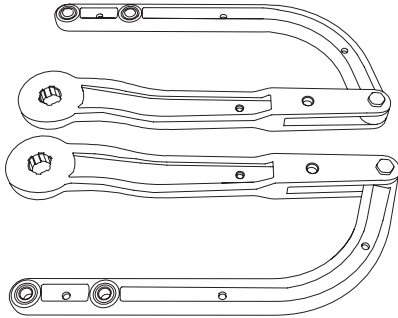
AA250EVK



Primary unit with Control Board



Secondary unit



Post Mounting Bracket (2x)



Gate Mounting Bracket (2x)



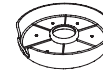
Circlip (2x)



Circlip pin (2x)



Screw and nut (4x)



Cover (2x)



Screw and Washer (2x)



Strain relief
4 x M16
2 x M20



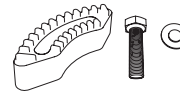
Grommets (6x)



Remote Control (2x)



Release Key (4x)

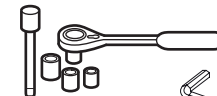
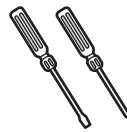
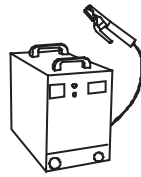
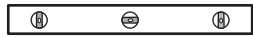
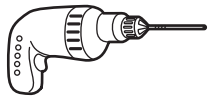


Hardstops (4x)
Screws + Washers (4x)

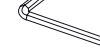


Installation Manual

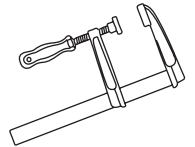
3. TOOLS NEEDED



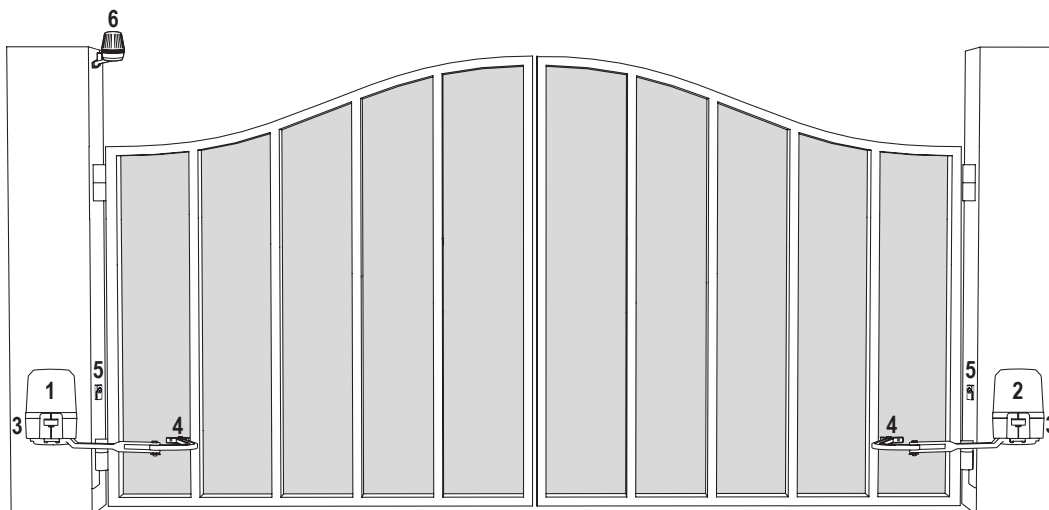
13, 14 mm



6 mm



4. OVERVIEW OF GATE OPERATOR



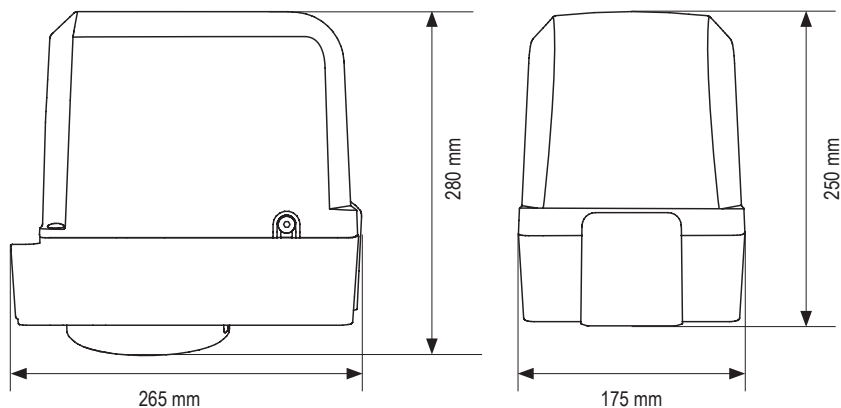
1. Motor 1 with control board
2. Motor 2
3. Post bracket (concealed)
4. Gate bracket
5. Infrared photocells
6. Flashing lamp

5. MECHANICAL INSTALLATION

Herewith you start mechanical installation of the gate operator.

5.1 Dimensions of Gate and Operator

AA250EVK



AA250EVK	
1.5 m	250 kg
2.0 m	200 kg
2.5 m	150 kg

Example installation

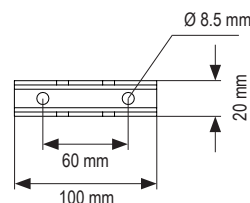
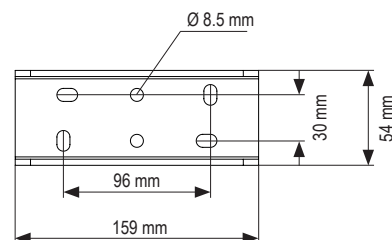
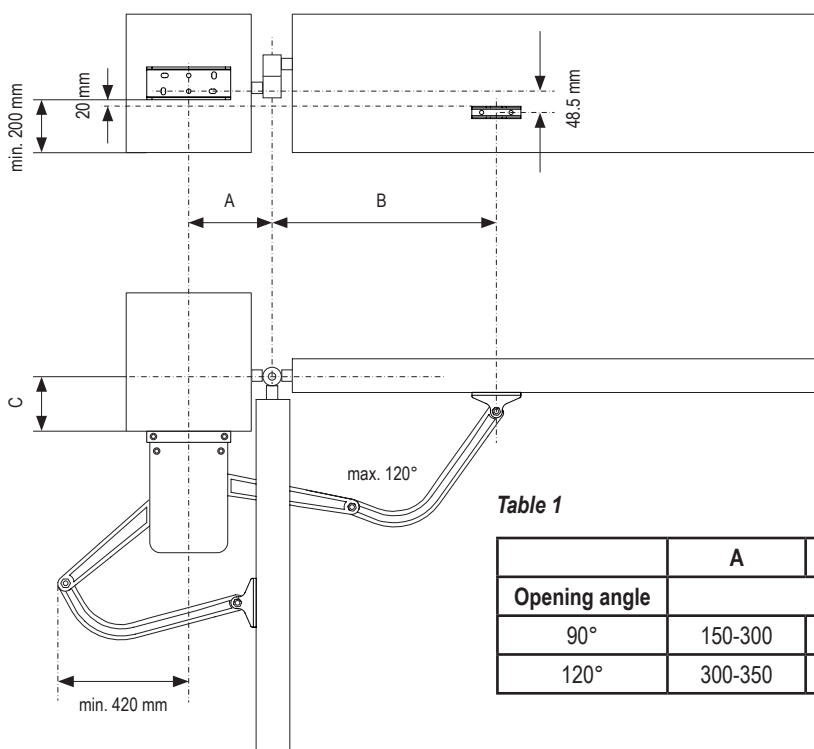


Table 1

	A	B	C
Opening angle	mm		
90°	150-300	390-540	0-300
120°	300-350	300-350	0-25

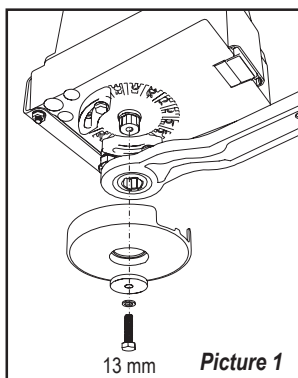
5.2 Determine the Position of the Post Bracket

1. Determine the A, B and C dimensions based on the opening angle provided in Table 1 to confirm the position where the post bracket will be mounted.

NOTE: All crushing points must be secured by an entrapment protection according to EU: EN 12453, EN 60335-2-103; GB (UK, NI): BS EN 12453, BS EN 60335-2-103.

Operator Arm Mounting

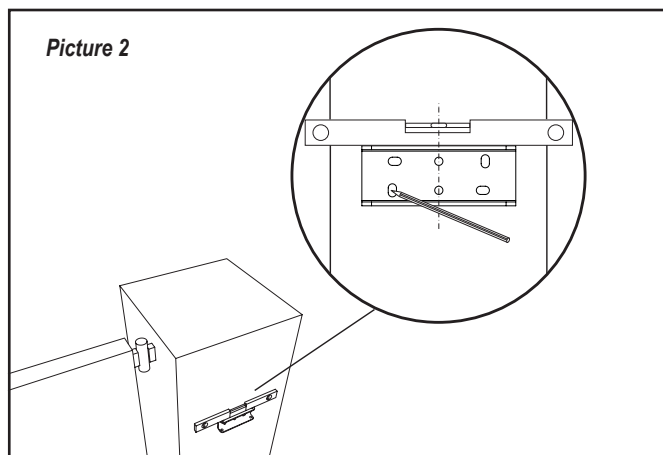
1. Attach the motor arm to the center of the opener from the underside.
2. Secure the caps with the screw and washer.



5. MECHANICAL INSTALLATION

5.3 Post Bracket Installation

1. Using the post bracket as a reference, mark and drill the holes for the post bracket.
2. Attach the post bracket using the correct fastening material based on existing installation (building / material substance). Please consult the gate manufacturer.
3. The slots on the post bracket allow for alignment. When the post bracket is level tighten the nuts.



NOTE: For brick or concrete posts please use correct dowels and screws. Please maintain correct distance to the post edges.
For metal posts please consider the post thickness and weld or bolt the bracket directly to post.
For timber posts please use correct screws and if required use reinforcement plates.
Caution: The fastened brackets must not loosen after installation and during operation.

5.4 Operator Mounting and Travel Distance Adjustment

1. Align the holes on the operator to the post bracket holes and connect using the screws and nuts (see picture 3.a).
2. Connect the arm to the shaft of the motor unit (see picture 3.b). Do not mount plastic protection cover yet, if you plan to install operator hard stops.
3. Release the operator clutch with the release key (see picture 4 on page 7).
4. Bring gate leaf to the closed position.

NOTE: The system must operate with external gate or operator hard stops in both directions.

5.4.1 Installation with external gate hard stops: (gate hard stops already installed)

- a. Position the gate bracket in the desired full closed position as shown in the picture 3.c. Temporarily secure it to the gate leaf and connect with operator arm considering dimensions A, B and C from Table 1.
- b. Manually open and close the gate to the required positions. Ensure the operator arm does not bind and gate is moving smoothly.
- c. Make permanent connection of the gate bracket at chosen correct position.

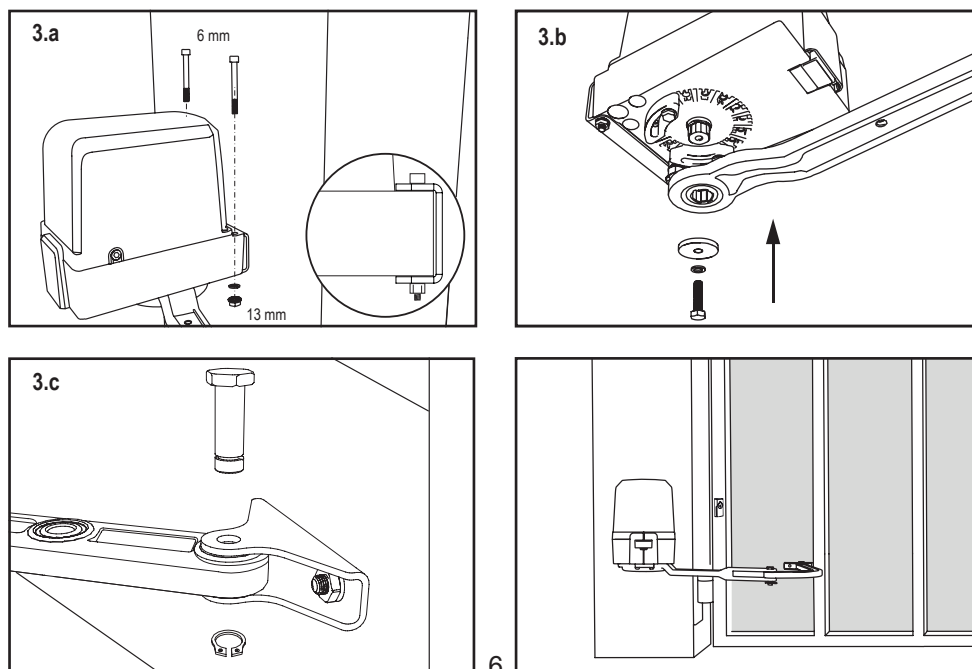
5.4.2 Installation with operator hard stops: (no gate hard stops installed)

- a. Position the gate bracket in the desired full closed position as shown in the picture 3.c. Temporarily secure it to the gate leaf (do not make permanent connection to gate leaf yet to enable adjustments) and connect with operator arm considering dimensions A, B and C from Table 1.
- b. Manually open and close the gate to the required positions. Ensure the operator arm does not bind and gate is moving smoothly.
- c. Fix the operator hard stop for "close" position as close as possible to the arm (see picture 3.d).
Hold the gate leaf in the desired "closed" position and adjust position of the gate bracket, so that the arm pushes against hard stop in "close" position (see pictures 3.e and 3.f).
- d. Make permanent connection of the gate bracket at chosen correct position.
- e. Open the gate to the required "open" position and fix the operator hard stop for "open" position as close as possible to the arm (see pictures 3.g and 3.h).
- f. Mount the protection cover at the operator bottom (see picture 3.i).

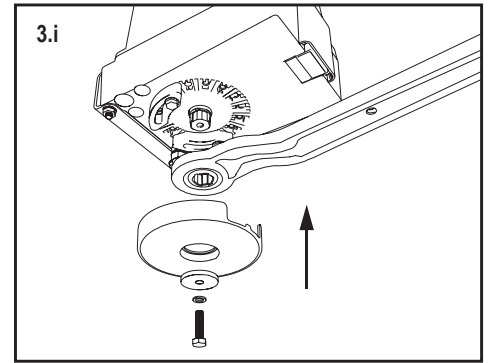
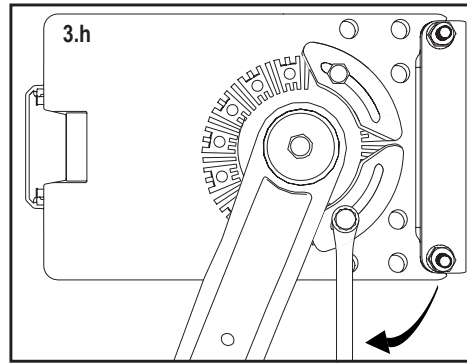
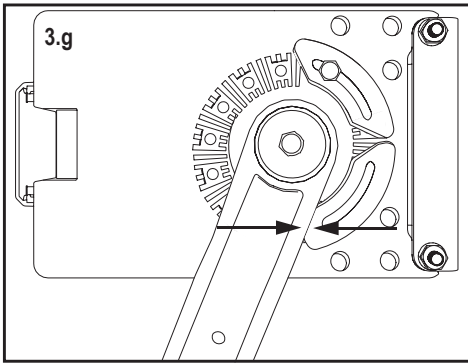
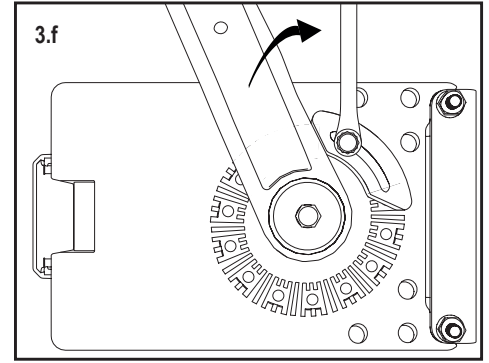
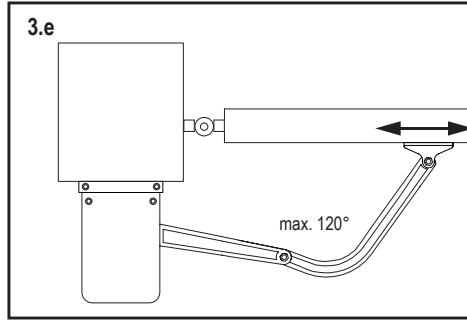
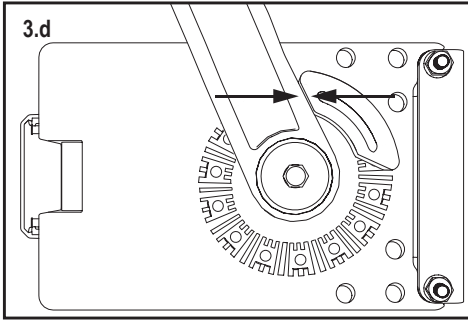
4.3 A combination of operator and gate hard stops is allowed. Please use the respective set up procedures as described above.

5. Repeat the procedure for the unit on the opposite side.

Picture 3



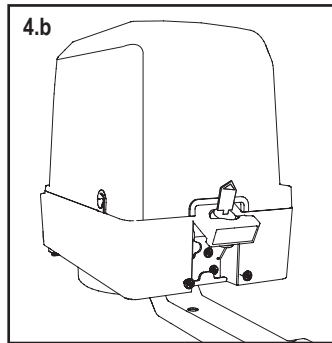
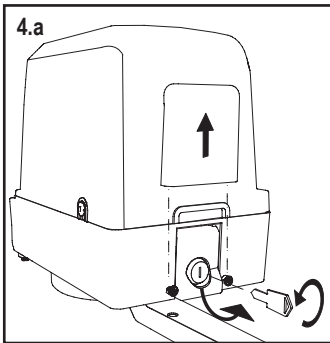
INSTALLATION



5.5 Emergency Release Mechanism

To disengage the release mechanism remove the plastic cover, enter the key and turn it 90°. Pull the clutch up (see picture 4). To re-engage the release mechanism, push the clutch down and turn the key 90°.

Picture 4



INSTALLATION

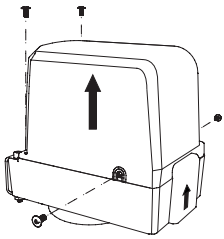
5.6 Control Board Installation and Motor Wiring

The control board is already pre-installed in the Primary unit and pre-wired to the terminals of Motor 1.

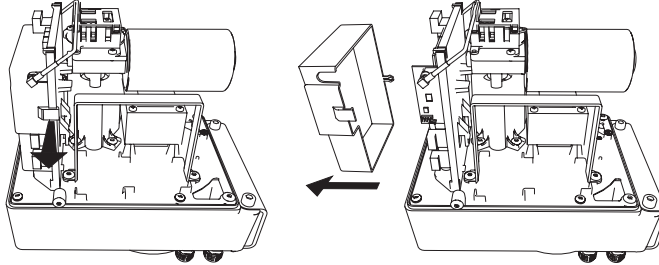
To gain access to the control board in the Primary unit release the 2 screws on the sides of the cover and 2 screws on the back of the Primary unit (see picture 5).

The terminals for wiring accessories are directly accessible. To get access to the programming buttons remove the transparent plastic cover and place it back once programming is finished (see picture 6). Remove the cover of the Secondary unit same way as with Primary unit to gain access to the Motor wiring terminal (see picture 7).

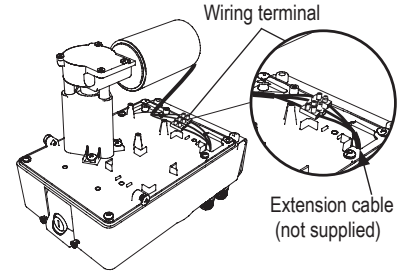
Picture 5 Removing Cover



Picture 6 Primary unit



Picture 7 Secondary unit



Per default settings, the Primary unit is considered installed on the left (when looking from inside out), and the Secondary unit on the right. In case the Primary unit is installed on the right, and the Secondary unit on the left, change the settings of functions «d1» and «d2».

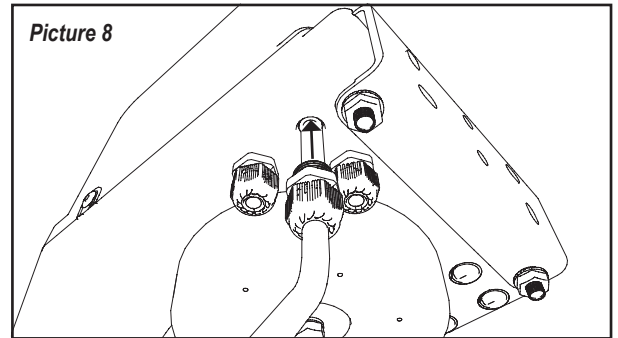
Motor 1 Connection

NOTE: The operator wired to the MOTOR 1 terminal will always open first and close last. Consider this for Basic and Advanced Settings (see Programming section). Primary unit is already pre-wired to MOTOR 1 terminals. No extra steps required for Motor 1 wiring.

Motor 2 Connection

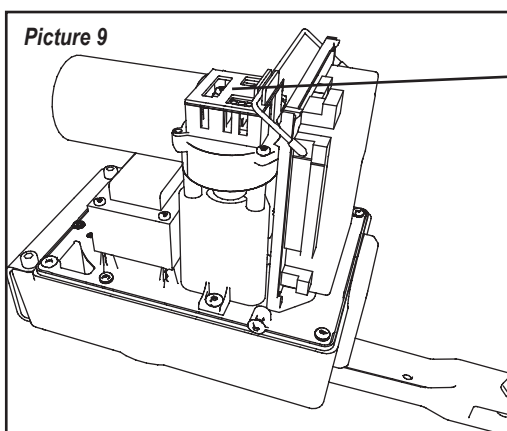
NOTE: The operator wired to the MOTOR 2 terminal will always open last and close first. Consider this for Basic and Advanced Settings (see Programming section).

1. Connect the extension cable (not provided) to the wiring terminals of the Secondary unit (see picture 7). Note the cable colors of the Secondary motor to match them on the control board wiring terminal for MOTOR 2.
2. Feed the Secondary motor extension cable through one of the cable glands at the bottom of the Primary unit (see picture 8). Ensure to use the side of the motor where the arm cannot cut the cables during opening or closing movement.
3. Connect Secondary motor cables to the MOTOR 2 terminals as follows: red cable to RED terminal, green cable to GRN terminal, white cable to WHT terminal on control board.



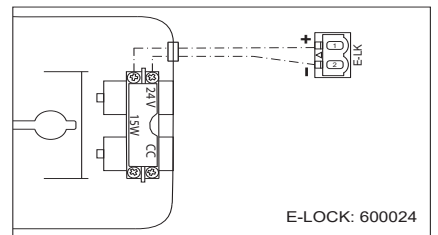
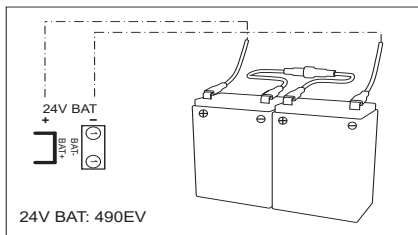
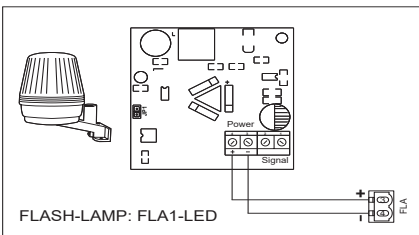
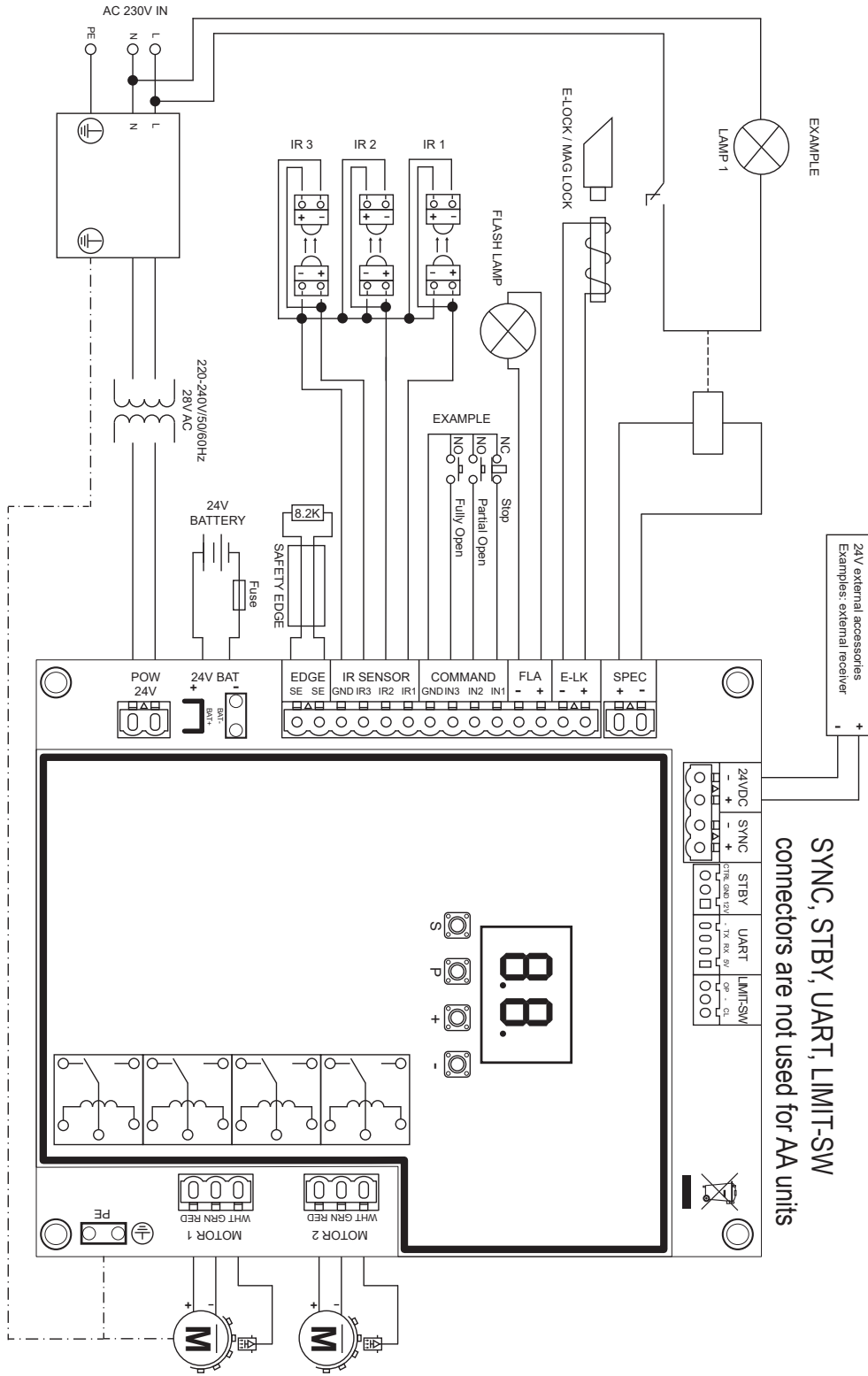
5.7 Power Wiring

Mains power wiring must be done by a certified electrician specialist.



Congratulations! Herewith the mechanical installation of your gate operator is finished. Please proceed with Programming and Basic Settings to be able to start operation.

6. WIRING DIAGRAM



7. PROGRAMMING

7.1 Display, Programming Buttons and Function Setting

Programming buttons function (4 buttons):

Button	Function
S	program / delete remote controls and specific functions
P	enter programming mode, select function and save
+/-	Navigate through the menu and change the value on display

Function and programmed values are shown on LED display.

Function setting - programming mode

LED display shows following values after control board is powered:

--	Control board is pre-programmed to relevant application (see below under "Application" and "Stand-by Mode" for status description).
E0	"E0", in case the control board has not been programmed yet or reset by function "Factory Default". From this status, an Input or transmitter command will be always ignored.

Herewith you start programming of your gate operator.

7.2 General Programming Overview

The programming is divided in 2 sections:

1. Basic Settings (Page 11)
2. Advanced Settings (Page 14)

After Basic Settings are done, following parameters will be learned automatically during Learning phase:

1. Travel length from **FULL CLOSED** to **FULL OPEN** position.
2. Opening and closing force for each motor.

NOTE:

- Basic Settings and Learning phase must be completed to enable operation.
- After the Learning phase and Programming are finished the operator will work as per default settings.
- Advanced Settings cannot be accessed if Basic Settings and Learning phase are not completed.
- **Before making the programming ensure that the relevant safety devices are connected.**

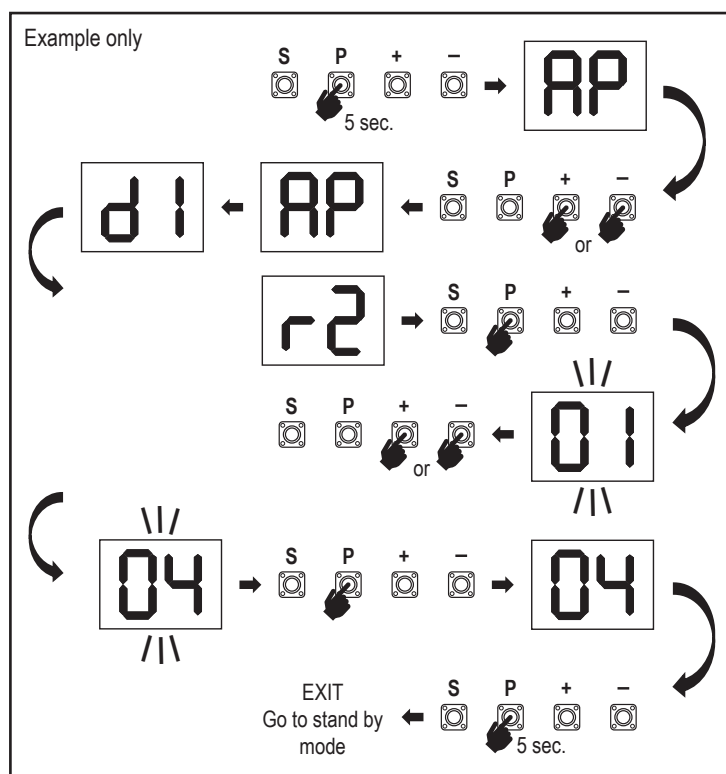
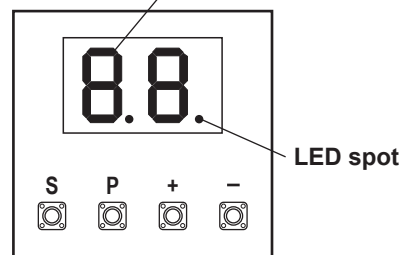
General setup:

1. Press and hold "P" button for 5 seconds to enter the menu. "AP" on the display indicates the first available function in menu.
2. Use "+" and "-" buttons to navigate between the functions.
3. Press "P" button to select the required function.
4. The default setting or previously programmed value will appear. This will be indicated by flashing of value on display.
5. Use "+" or "-" buttons to select the required value. Press "P" button to confirm selection.
6. The programmed function is shown on display.
7. To change the setting of another function, repeat the sequence from the points #2 to #6
8. To exit to the Function menu, press "P" button for 5 seconds, then the board will go in Stand-by mode.

If "P" button is not pressed to confirm new value setting, new settings will be saved after 3 minutes and programming will exit menu and return into Stand-by mode.

NOTE: To operate the gate or execute any command, setting menu must be finished by pressing the "P" button for 5 seconds, or by selecting FE Function, or waiting 3 minutes for automatic exit and return into Stand-by mode.

2 digit LED display



7. PROGRAMMING

7.3 Wing Movement Direction

Before programming, move the gate manually in the middle position and re-engage release mechanism (see page 7).

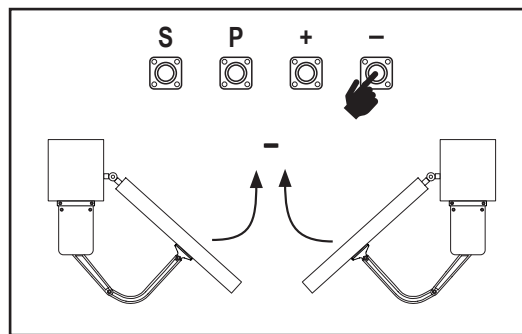
Press and hold the “-” button on the control board and ensure that the motors are moving in **CLOSE** direction. If correct, immediately let go of the “-” button and gate stops. If motors are moving in **OPEN** direction, go to the functions “d1” and “d2” and change the direction settings.

Once **CLOSE** direction is set correctly, leave the gate in the middle position. The operator is ready for the Learning phase.

Note: gate can be moved with “+” and “-” buttons prior to final settings if required.

Press and hold the “+” button on the control board to move the gate into **OPEN** position. When button is released operator stops.

Press and hold the “-” button on the control board to move the gate into **CLOSE** position. When button is released operator stops.



7.4 Basic Settings

Basic Settings Overview

LED		Function
		Basic Settings (mandatory)
AP	AP	Application
d1	d1	Direction Motor 1
d2	d2	Direction Motor 2
LL	LL	Limit Learning Phase

7.4.1 Application Settings

Application function shown on display.

This function is already pre-set at factory at value 05.



05	Swing gate, two motors for AA250 application (default)
-----------	--

More settings available on demand:

00	No application selected
04	Swing gate, one motor for AA250 application

Values 01-03, 06, 07 are not suitable for AA250 application and shall not be chosen.

7.4.2 Direction Motor 1 Settings



Direction Motor 1 function shown on display

Defines movement direction of the Motor 1.

01	Motor 1 is moving in closing direction, when installed on the right-hand side .
02	Motor 1 is moving in closing direction, when installed on the left-hand side (default)

7.4.3 Direction Motor 2 Settings

Direction Motor 2 function shown on display.

Defines movement direction of the Motor 2. Not available for “one motor” application.



01	Motor 2 is moving in closing direction, when installed on the right-hand side (default)
02	Motor 2 is moving in closing direction, when installed on the left-hand side

7.4.4 Limit Learning



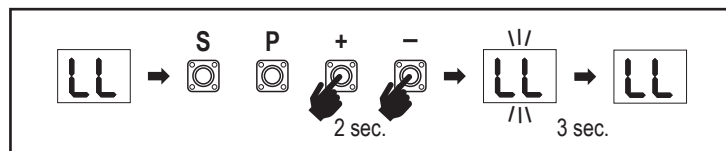
Before starting a Learning phase ensure that:

1. Other Basic Settings are completed
2. Internal / external hard stops are installed (for swing gates)
3. First movement will be in **CLOSE** direction.

Available Learning methods:

Standard Learning Mode (Automatic)

1. Press and hold “+” and “-” buttons for 2 seconds.
2. Automatic learning process starts. LL will flash on the display during complete process.
3. Wing 2 moves in **CLOSE** direction until the hard stop is reached, and stops.
4. Wing 1 moves in **CLOSE** direction until the hard stop is reached, and stops for 2 seconds. Then Wing 1 starts in **OPEN** direction until the hard stop is reached.
5. Wing 2 moves in **OPEN** direction until hard stop is reached, stops for 2 seconds and then moves in **CLOSE** direction until hard stop is reached, and stops.
6. Wing 1 moves in **CLOSE** direction until hard stop is reached, and stops.
7. Standard Learning phase is finished. LL will appear on display and board will return in stand-by mode after 3 seconds.



NOTE: In single motor application, “Wing 2” actions are not used.

Following settings are done during Standard Learning Mode:

1. Travel length from **FULL CLOSED** to **FULL OPEN** position.
2. Opening and closing force for each motor.
3. 15% of total travel in both directions is assigned for Soft Stop.
4. Wing delay in opening and closing position is 2 seconds. Shall you need to change the delay please go to Advanced Settings: Delay Motor 2 (d0) and Delay Motor 1 (dC).

7. PROGRAMMING

Advanced Learning Mode (manual setting of Soft Stop position)

1. Press and hold “+ and -” buttons for 2 seconds.
2. Automatic learning starts. LL will flash on the display during complete process.
3. Wing 2 moves in **CLOSE** direction until hard stop is reached, and stops.
4. Wing 1 moves in **CLOSE** direction until hard stop is reached, and stops for 2 seconds.
5. Wing 1 starts in **OPEN** direction at default speed.
6. To define start of the Soft Stop for Wing 1 in **OPEN** direction press “P” button at required start point. Wing 1 will continue opening until hard stop is reached, and stops.
7. Wing 2 moves in **OPEN** direction at default speed.
8. To define start of the Soft Stop for Wing 2 in **OPEN** direction press “P” button at required start point. Wing 2 will continue opening until hard stop is reached, stops for 2 seconds and then moves in **CLOSE** direction at default speed.
9. To define start of the Soft Stop for Wing 2 in **CLOSE** direction press “P” button at required start point. Wing 2 will continue closing until hard stop is reached, and stops.
10. Wing 1 moves in **CLOSE** direction at default speed.
11. To define start of the Soft Stop for Wing 1 in **CLOSE** direction press “P” button at required start point. Wing 1 will continue closing until hard stop is reached, and stops.
12. Advanced Learning phase is finished. LL will appear on display and board will return in stand-by mode after 3 seconds.

NOTE: In single motor application, “Wing 2” actions are not used.

Following settings are programmed during Advanced Learning mode:

1. Travel length from **FULL CLOSED** to **FULL OPEN** position.
2. Opening and closing force for each motor.
3. Starting positions of the Soft Stops.
4. Wing delay in opening and closing position is 2 seconds. Shall you need to change the delay please go to Advanced Settings: Delay Motor 2 (d0) and Delay Motor 1 (dC).

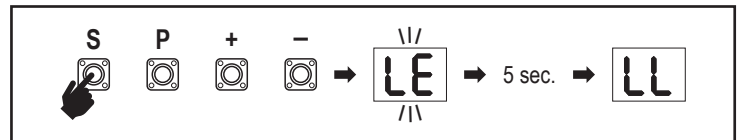
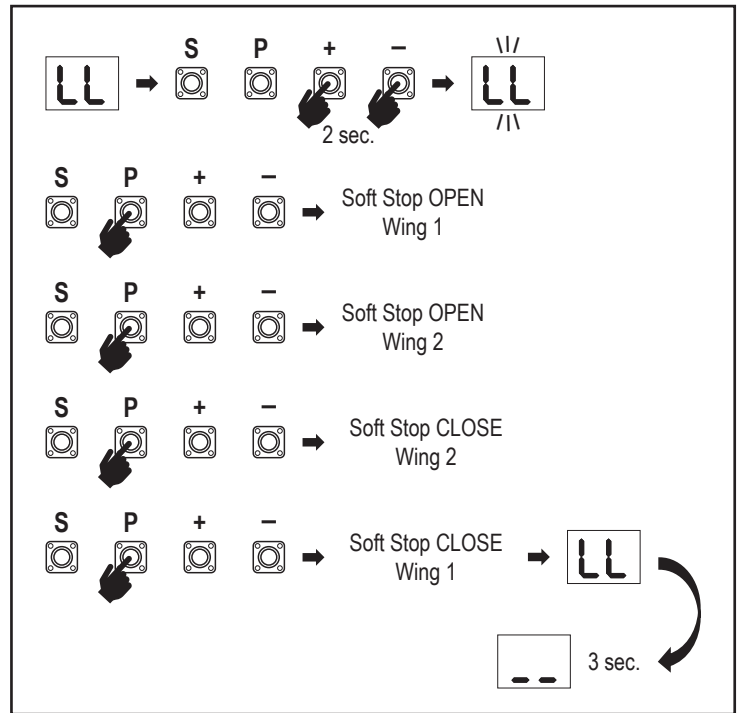
NOTE: To stop Learning phase press “S” button. The Learning process will be interrupted, “LE” will flash on LED display. After 5 seconds “LL” will appear on display indicating readiness to start Learning phase again. If Learning process was not completed, it needs to be re-done.

ATTENTION: Learning phase must be completed to enable operation.

7.5 Stand-by Mode

After the control board is powered on and programming is finished, the LED display lights completely for 2 seconds and goes into the stand-by mode. During Stand-by mode the LED display shows current gate status.

	Two motors (default)	One motor
Motor is opening, upper section of the display flashes.		
Motor stops at the opening position, upper section of the display is on.		
Motor is closing, lower section of the display flashes.		
Motor stops at the closed position, lower section of the display is on.		
Motor stops in the middle, middle of the display is on.		



Herewith the Basic Settings are completed. You can leave Programming and operate your gate or proceed with Advanced Settings.

7. PROGRAMMING

7.6 Programming and Erasing of Remote Controls, Radio Accessories and myQ Devices

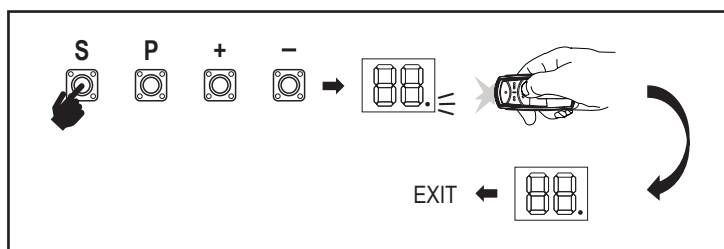
Program remote control devices (transmitters and wireless wall controls):

NOTE: the remote controls delivered with the operator are already factory pre-learned to the operator (top button near the LED) and do not require extra programming.

1. Press and release "S" button. An LED spot turns ON in the display. The operator will stay in Radio programming mode for 3 minutes. Any radio accessory device can be learned within first 30 seconds. During the remaining 2.5 minutes only myQ devices can be learned.
2. Chose the required button on your transmitter and hold it until the dot in the display turns off.

To program a new remote control repeat the sequence.

To program a wireless keypad, please follow the respective manual of the accessory.



Programming Transmitter in Partial opening

Press and hold "S" and "+" buttons at the same time, until the LED spot starts flashing. Press and hold the desired free button on transmitter to program the Partial Opening Mode.

The LED spot turns off when the programming is finished. If there is a light connected to SPEC contact it will flash once.

Program myQ gateway (828EV):

1. Connect

Connect ethernet cable (1) provided with gateway to router (2). Use the plug valid for your country (not all models). Connect power (3) to the internet gateway (4). When the internet gateway connects to the internet, the green light (5) will stop blinking and will light solid. A connected set of IRs is mandatory for myQ operation.

2. Create an account

Download the free myQ App from App Store or Google Play Store and create an account. If you already have an account, use your username and password.

3. Register the internet gateway

Enter the Serial Number located on the bottom of the internet gateway when prompted.

4. Add myQ devices

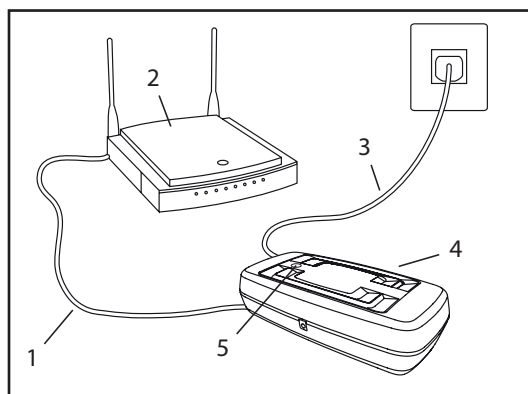
To add your gate operator to the registered gateway follow the instructions on the app. When adding a new myQ capable gate operator press and release "S" button on operator control board. An LED spot turns ON in the control board display.

Note: After you add a device, the blue light on the internet gateway will appear and stay on. Press "S" button on the operator control board to exit the radio programming mode.

5. Test

After having installed and registered correctly you may now test the following features: open or close the gate, request status GATE OPEN or GATE CLOSED.

For more functions see www.liftmaster.eu



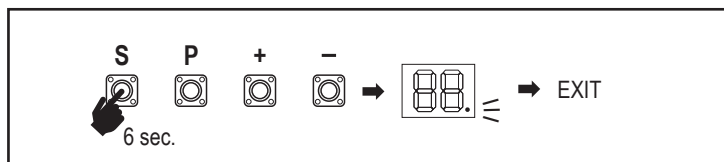
Erase radio control devices (transmitters, wireless wall controls, wireless keypads):

Press and hold "S" button for > 6 seconds. All radio control devices (transmitters, wall controls, keypads) are erased. The LED spot in the display turns OFF. Note: It is not possible to erase radio control devices individually.

Erase myQ devices:

1. Erase remote control devices first as indicated above.
2. Within next 6 seconds press and hold "S" button. An LED spot turns ON in the display.
3. Press and hold "S" button for > 6 seconds. All myQ devices are erased. The LED spot in the display turns OFF.

NOTE: It is not possible to erase myQ devices individually. It is not possible to erase myQ devices only.



7. PROGRAMMING

Herewith you start with Advanced Settings.

7.7 Advanced Settings

LED		Function
	tr	Transmitter
	r1	IR1 photocell
	r2	IR2 photocell
	r3	IR3 photocell
	i1	Input 1 command
	i2	Input 2 command
	i3	Input 3 command
	Pd	Partial Opening Motor 1 only
	d0	Delay Motor 2 in OPEN
	dC	Delay Motor 1 in CLOSE
	tC	Timer To Close (TTC)
	rt	Reversal time after impact
	EL	E-lock
	rb	Relief Motor 1 for E-lock

LED		Function
	FL	Flashing Light
	PF	Pre-Flashing
	SP	Special contact
	St	START Speed in OPEN and CLOSE
	Cn	Maintenance counter
	PS	Password
	F1	Force Motor 1 in Open (protected by PS)
	F2	Force Motor 1 in Close (protected by PS)
	F3	Force Motor 2 in Open (protected by PS)
	F4	Force Motor 2 in Close (protected by PS)
	S1	Speed Motors in OPEN (protected by PS)
	S2	Speed Motors in CLOSE (protected by PS)
	SF	SOFT-STOP Speed in OPEN and CLOSE (protected by PS)
	Fd	Factory default
	FE	Finish and Exit

7.7.2 Transmitter Settings

Transmitter function defines how Transmitter commands are working.

Note: Under settings "01", "02" and "03", TTC timer will be overridden by a transmitter command and will CLOSE the gate.

Under setting "04", active TTC timer countdown will be re-set to start again by Transmitter command.



	Residential Mode: Open – Close – Open
	Standard Mode: Open – Stop – Close – Stop – Open (Default)
	Automatic with Stop Mode: Open – Stop – Close – Open
	Car Park Mode: Open, to complete Open position. Additional command during the opening will be ignored

7.7.3 Infrared Photocells Settings

IR functions define functioning mode of Infrared Photocells (IR).

IRs will be auto-learned when installed.

Each of the 3 IR sets can be programmed individually.

NOTE: Depending on the chosen settings the Partial Opening inputs or Remote Controls commands will not be executed in both OPEN or CLOSE direction if the IR beam is obstructed. If IRs are removed, the control board power must be turned OFF/ON for two times to unlearn.

For check and maintenance of the photocells see the manual of the photocells.



	IR active on CLOSE movement. If IR beam is obstructed, gate reverses in complete OPEN position (Default).
	IR active on OPEN movement. If IR beam is obstructed gate stops. When obstruction disappears the gate continues to OPEN.
	IR is active on OPEN and CLOSE movement. If IR beam is obstructed on CLOSE movement, gate stops and after the obstruction disappears gate reverses in complete OPEN position. If IR beam is obstructed on OPEN movement, gate stops. When obstruction disappears the gate continues to OPEN.
	IR active on CLOSE movement. If IR beam is obstructed, gate reverses in complete OPEN position. The activated TTC function will be overridden 2 seconds after the beam obstruction is eliminated and will start CLOSE movement not waiting till the end of TTC time end.

7.7.4 Input Settings



Inputs function defines the way Input commands from external accessories are executed. Each of the 3 Inputs can be programmed individually.

NOTE: Under settings "01", "02" and "03", TTC timer will be overridden by an Input command and will CLOSE the gate. Under setting "06", active TTC timer countdown will be re-set to start again by an Input command

7. PROGRAMMING

01	Open – Close – Open
02	Open – Stop – Close – Stop – Open (Default)
03	Open – Stop – Close – Open
04	Partial opening Motor 1 only
05	STOP (NC contact)
06	Open, to complete OPEN position. Additional Open command during the opening will be ignored
07	Close, to complete CLOSE position. Additional Close command during the closing will be ignored
08	Open – Stop – Open – Stop
09	Close – Stop – Close – Stop
10	Open, hold to run
11	Close, hold to run

7.7.5 Partial Opening Motor 1

Pd

Partial opening Motor 1 only gives you the ability to open active leaf to a pre-set value only.

NOTE: Pd command will work starting from Close limit position and during closing movement. If a Pd command is executed from a complete OPEN position, the gate will close.

An Open or transmitter command will always override the Pd command.

01	50% opening travel
02	75% opening travel (default)
03	100% opening travel

1. Press and hold "S" and "+" buttons at the same time, until the LED spot starts flashing.
2. Press and hold the desired free button on transmitter to program the Partial Opening Mode.
3. The LED spot turns off when the programming is finished. If there is a light connected to SPEC contact it will flash once.

7.7.6 Delay Motor 2 in Open Direction

DO

Delay Motor 2 in OPEN direction function defines time delay for Motor 2 in OPEN direction. Not available for single motor application.

Not executed during reversal or after IR beam interruption in both directions.

00	no delay (both wings start opening at the same time)
01	1 second
02	2 seconds (Default)
03	3 seconds
04	4 seconds

7.7.7 Delay Motor 1 in Close Direction

DC

Delay Motor 1 in CLOSE direction function defines time delay for Motor 1 in CLOSE direction. Not available for the single motor application. Not executed during reversal or after IR beam interruption in both directions.

00	no delay (both wings start in the same time)
01	1 second
02	2 seconds (Default)
...	... seconds
20	20 seconds

7.7.8 Timer To Close

TC

Timer to close (TTC) function enables automatic closing of the gate from a complete OPEN position after a pre-set period of time. Minimum one pair of LiftMaster Infrared Photocells (IR) has to be installed to monitor closing movement to enable TTC operation. TTC will not work if IR are protecting opening movement only. TTC will also work with activated partial opening. If TTC function is active, timer is counting down, and the IR beams are interrupted, the TTC timer shall re-start.

00	TTC not active (Default)	05	1 minute
01	10 seconds	06	1.5 minutes
02	20 seconds	07	2 minutes
03	30 seconds	08	3 minutes
04	45 seconds	09	5 minutes

7.7.9 Reversal Time after Impact

rt

Reversal time after impact function defines reversal behaviour after obstacle obstruction during closing or opening movement. This reversal behaviour is valid both for motor force detection and safety edge application.

01	2 seconds reversal and Stop
02	Reversal back up to the end limit position (Default)
03	During Closing movement, upon impact gate reverses up to Open position. During Opening movement, upon impact gate reverses for 2 seconds and stops

7.7.10 E-Lock / Mag-Lock Settings

EL

E-Lock function defines e-lock/mag-lock behaviour. 24VDC – 500mA e-lock or mag-lock can be connected.

00	e-lock/mag-lock not installed (Default)
01	e-lock active for 1 second prior to Motor 1 start in Open direction
02	e-lock active for 2 seconds prior to Motor 1 start in Open direction
03	Magnetic lock, constantly active at gate CLOSED or constantly inactive during OPEN and CLOSE movement, gate OPEN or STOP position. Magnetic lock will be deactivated in Battery Back-up mode.

7. PROGRAMMING

7.7.10a Relief Motor 1 for E-Lock



Relief Motor 1 for e-lock function enables to briefly push Motor 1 in CLOSE direction before engaging e-lock to relieve excess pressure on e-lock. Not available if EL Function is set to "00" or "03" (e-lock not connected / mag- lock connected).

00	deactivated (Default)
01	1 second activated
02	2 seconds activated

7.7.11 Flashing Light Settings



Flashing Light function allows to select which type of Flashing Lamp is connected. 24VDC- max 500 mA Flashing lamp (FLA1-LED) can be connected.

00	no flashing lamp installed (Default)
01	continuous 24V supply - for flashing lamp with own control board (FLA1-LED)
02	interrupted 24V supply - for flashing lamp without own control board

7.7.11a Pre-Flashing



Pre-Flashing function defines time interval of pre-flashing of the flashing lamp prior to gate movement. Function not active if Flashing Lamp (FL) Function is set to "00".

00	no pre-flashing (Default)	03	3 seconds
01	1 second	04	4 seconds
02	2 seconds	05	5 seconds

7.7.15 Password Protected Functions and Setup

7.7.15a Password Setup



Learning Phase must be completed and Password must be set before doing changes for Password protected functions, like Force and Speed. Chose the "PS" function to program password.

NOTE: "00" cannot be used as password. It is only used as a default setting. Functions protected by password can't be accessed if the new password is not set. Password will be required to change protected Functions after the setup.

Set new Password:

1. Choose "PS" function and press "P" button.
2. "00" flashes on display.
3. Use "+" and "-" buttons to set the new password.
4. Press "P" button.
5. New set password value remains on display for 2 seconds. Then display changes to "PS".

Please note your password where it can be found later.

7.7.12 Special Contact Settings



Special Contact Function defines relay activation time. A 24V max 500mA relay can be connected to manage other devices, e.g. courtesy light. The time set here will also control countdown for myQ remote light.

00	no activation (Default)	05	1.5 minutes
01	15 seconds	06	2 minutes
02	30 seconds	07	3 minutes
03	45 seconds	08	4 minutes
04	1 minute	09	5 minutes

7.7.13 Start Speed in Open and Close Directions



Start Speed function allows switching the Soft-Start in OPEN and CLOSE directions ON and OFF.

00	deactivated (Default)
01	Soft Start active: motors will accelerate gradually until they reach standard speed.
02	Hard Start active, motors will start at the regular Speed and for the first second the force sensor will be not considered.

7.7.14 Maintenance Counter



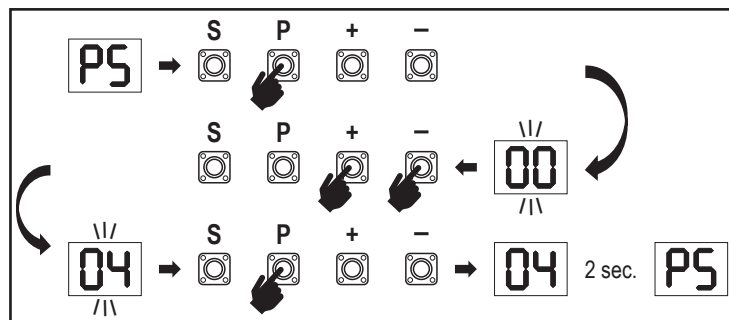
Maintenance Counter function allows to set maintenance interval in cycles. 4 seconds pre-flashing of the Flashing Lamp will be a signal the interval is reached. If PF Function (Pre-Flashing) is active then 4 second pre-flashing will be added to the set time. To reset counter after maintenance is done, it will be enough to program the cycles one more time.

00	no counter (Default) cycles
01	1000 cycles	20	20000 cycles
02	2000 cycles		

ATTENTION

Any changes done to the Password protected functions (Force and Speed) require verification of speed and force according to EU: EN 12453, EN 60335-2-103; GB (UK, NI) BS EN 12453, BS EN 60335-2-103.

00	No password selected (Default)
01 → 02 → → 99	Selection available



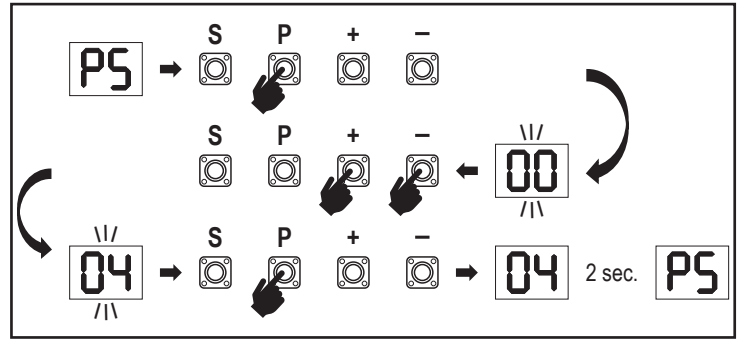
7. PROGRAMMING

7.7.15b Password Use

1. Choose "PS" function and press "P" button.
2. "00" flashes on display.
3. Use "+" and "-" buttons to enter the correct password and press "P" button to confirm.
4. If correct password is entered, the display shows the value for 2 seconds and changes to "PS".
5. Choose the protected function to set.

NOTE: If entered password is not correct, "00" will flash for 5 seconds, then change to "PS". Use correct password to access protected Functions.

Attention: The password protected Advanced Settings can only be executed by a trained professional. The requirements of the EU: EN 12453, EN 13241; GB (UK, NI): BS EN 12453, BS EN 13241 must be fulfilled.

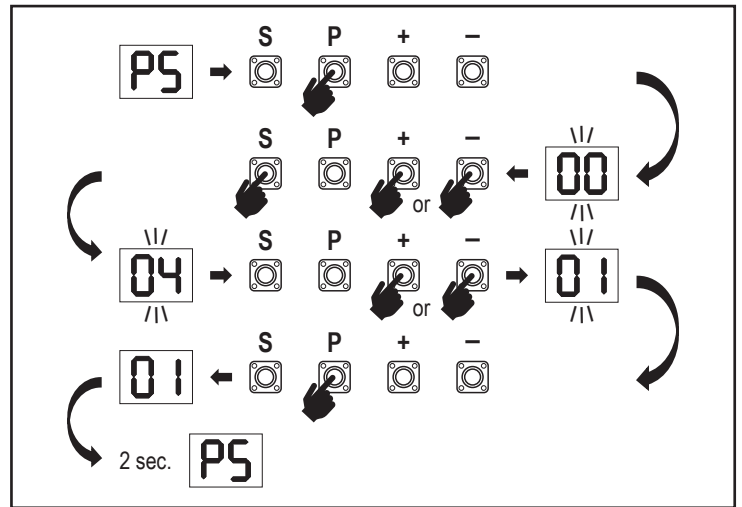


7.7.15c Password Change

1. Choose "PS" function and press "P" button.
2. "00" flashes in display.
3. Use "+" or "-" buttons to enter current password and press "S" button. Value starts flashing.
4. Use "+" or "-" buttons to enter NEW password and press "P" button.
5. Changed password value remains on display for 2 seconds. Then display changes to "PS".

NOTE: If wrong (current) password was entered, "00" will flash for 5 seconds and change to "PS". Password is not changed.

If password is lost, use Factory Default function (Fd) to go back to default settings. All settings (apart from Radio Memory) will be deleted. See page 18.



7.7.15d Force Motors 1 and 2 in Open and Close Directions

F1

Force Motor 1 in OPEN Direction

Force Motor 1 in OPEN direction allows force adjustment on top of force set during the Learning phase. Password must be entered to access this function.

00	Standard force (Default)	02	+30%
01	+15%	03	+50%

Force Motor 1 in CLOSE Direction

F2

Force Motor 1 in CLOSE direction allows force adjustment on top of force set during the Learning phase. Password must be entered to access this function.

00	Standard force (Default)	02	+30%
01	+15%	03	+50%

Force Motor 2 in OPEN Direction

F3

Force Motor 2 in OPEN direction allows force adjustment on top of force set during the Learning phase. Password must be entered to access this function.

00	Standard force (Default)	02	+30%
01	+15%	03	+50%

Force Motor 2 in CLOSE Direction

F4

Force Motor 2 in CLOSE direction allows force adjustment on top of force set during the Learning phase. Password must be entered to access this function.

00	Standard force (Default)	02	+30%
01	+15%	03	+50%

7.7.15e Speed Motors 1 and 2 in Open and Close Directions

S1

Speed Motors 1 and 2 in OPEN Direction

Speed Motor 1 and 2 in OPEN direction allows opening speed adjustment compared to the speed set during Learning phase. Password must be entered to access this function.

00	Standard speed (Default)	04	+50%
01	+10%	05	-10%
02	+20%	06	-20%
03	+30%		

7. PROGRAMMING

Speed Motors 1 & 2 in CLOSE Direction

52

Speed Motor 1 and 2 in CLOSE direction allows closing speed adjustment compared to the speed set during Learning phase. Password must be entered to access this function.

00	Standard speed (Default)	04	+50%
01	+10%	05	-10%
02	+20%	06	-20%
03	+30%		

7.7.15f Soft-Stop Speed

SF

Soft-Stop Speed function allows adjustment of the Soft-Stop speed compared to default values set during Learning phase. Soft-Stop speed is 50% of the standard speed as per default setting. Standard speed change impacts the Soft-Stop speed. Password must be entered to access this function.

00	Standard speed (Default)	04	-50%
01	-10%	05	+10%
02	-20%	06	+20%
03	-30%		

8. BATTERY BACKUP

Battery Back-Up Mode

bu

2 Optional 12V, 2.2Ah lead batteries SKU 490EV (optional, not included) can be mounted inside the E-Box. Follow the manual of SKU 490EV for exact installation procedure. A Flashing lamp (if mounted) will flash 2 seconds every 10 minutes indicating BBU mode and power loss. Control board will switch into stand-by mode with active radio receiver accepting radio control device commands only. All other accessories and peripheral devices will not be functioning.

When in Battery Back-up mode, myQ Smartphone Control and wireless myQ devices will be disabled. Full charged battery capacity shall support up to ~20 cycles at a rate of 2 per hour. After 24 hours of BBU mode the battery shall provide power for 1 complete opening and closing cycle. Please note that only the specified battery can be used. Use of any other battery leads to loss of warranty and loss of liability of LiftMaster for any related damages resulting from use of unspecified batteries.

9. ERROR CODES

LED	Error code	Issue	Possible reason	Solution
E0	E0	Press transmitter, but no gate movement	AP is set to 00	Check if AP is set to 00. If yes, change to correct application setting.
E1	E1	Gate do not close, but can open.	1) IR1 is not connected, or wire is cut.	1) Check if IR1 is not connected, or wire is cut.
			2) IR1 wire is shorted out or reverse connected.	2) Check IR1 connection, change wires if needed.
			3) IR1 is not aligned or blocked for a moment.	3) Align IR transmitter and receiver to make sure both LED is on, instead of blinking. Make sure there is nothing hanging on gate that may cause IR blocking.
E2	E2	Gate can close when it is at open limit, but cannot open when it's at close limit.	1) IR2 is not connected, or wire is cut.	1) Check if IR2 is not connected, or wire is cut.
			2) IR2 wire is shorted out or reverse connected.	2) Check IR2 connection, change wires if needed.
			3) IR2 is not aligned or blocked for a moment.	3) Align IR transmitter and receiver to make sure both LED is on, instead of blinking. Make sure there is nothing blocking the IR.
E3	E3	Press transmitter, but no gate movement.	1) IR3 is not connected, or wire is cut.	1) Check if IR3 is not connected, or wire is cut.
			2) IR3 wire is shorted out or reverse connected.	2) Check IR3 connection, change wires if needed.
			3) IR3 is not aligned or blocked for a moment.	3) Align IR transmitter and receiver to make sure both LED is on, instead of blinking. Make sure there is nothing hanging on gate that may cause IR blocking in short time.
E4	E4	Press transmitter, but no gate movement.	1) Safety edge is not connected with 8.2kohm resistor.	1) Check if the 8.2 kOhm safety edge is properly connected or if the 8.2 kOhm resistor is installed.
			2) Safety edge wire is shorted out.	2) Check safety edge wires and replace wire if needed.
			3) Safety edge is pressed.	3) Check if safety edge is pressed.

7.8 Factory Default

Fd

Factory default function resets control board to the original factory set-ups. All settings, including limit settings, will be erased. LED display will show "E0". Programmed remote controls will remain learned. If Remote control accessories need to be erased refer to the respective Radio Controls Programming section of this manual.

00	no reset (Default)
01	reset to the factory default settings

7.9 Finish and Exit

FE

To exit the programming phase and save all changes, move to FE function and press "P" button. The control board will go into Stand-by mode and is ready to work.

There are also other ways to exit the programming and save settings:

- Press and hold "P" button for 5 seconds
- Wait 3 minutes after the last changes in the programming for automatic exit

9. ERROR CODES

LED	Error code	Issue	Possible reason	Solution
E5	E5	Press transmitter, but no gate movement.	1) STOP switch is open.	1) Check if STOP switch is open or damaged.
			2) STOP switch is not connected.	2) Check if STOP switch is disconnected. If yes, then reconnect STOP switch or change the respective Input setting to other value.
E7	E7	Press transmitter, but no gate movement.	Control board amplifier for Motor 1 fail.	Switch off power for 20 seconds and reset to check if control board recovers. If not, change control board.
E8	E8	Press transmitter, but no gate movement.	Control board amplifier for Motor 2 fail.	Switch off power for 20 seconds and reset to check if control board recovers. If not, change control board.
E9	E9	Press transmitter, but no gate movement.	Control board memory mistake.	Switch off power for 20 seconds and reset to check if control board recovers. If not, change control board.
F1	F1	Motor 1 stop and reverse during open or close.	Motor 1 is blocked.	Check and remove obstruction. Clean gate.
F2	F2	Motor 2 stop and reverse during open or close.	Motor 2 is blocked.	Check and remove obstruction. Clean gate.
F3	F3	Motor 1 stop and reverse during open or close.	Motor 1 stall or speed sensor is damaged.	Check if motor 1 stalled or speed sensor is damaged.
F4	F4	Motor 2 stop and reverse during open or close.	Motor 2 stall or speed sensor is damaged.	Check if motor 2 stalled or speed sensor is damaged.
F5	F5	Press transmitter, but motor has no action.	Radio module fail.	Switch off power for 20 seconds and reset to check if control board recovers. If not, change control board.
F6	F6	Gate reverse during closing.	Low battery power.	Charge battery.
F7	F7	Press transmitter, but no gate movement.	Control board damaged.	Switch off power for 20 seconds and reset to check if control board recovers. If not, change control board.
F9	F9	Press transmitter or push button, but motor has no action.	AP menu is reset to factory default.	Relearn limits.
LE	LE	Motor stops suddenly.	Press C button during limit learning.	Relearn limits.

10. TECHNICAL DATA

		AA250EVK		AA250EVK	
Input Voltage	VAC	220-240	External accessory power		24VDC - max. 500mA
Input frequency	Hz	50/60	Flashing lamp connector		24VDC - max. 500mA
Motor Voltage	VDC	24V	E-Lock /Magnetic lock connector		24VDC - max. 500mA
"Standby consumption (without accessories)"	W	3.2	External relay		24VDC - max. 500mA
			Safety edge		8,2 kOhm
Motor Rated Power	W	100W (AA250-24P) 50W (AA250-24S)	Max. nr. of IRs		3
Rated Load	Nm	72,4	Max. nr. of external inputs		3
Maximum Torque	Nm	200	Battery back-up unit		2 x 12V, 2.2Ah batteries model 490EV
Cycles per hour		10	Ingress Protection Motor	IP	44
Max. cycles per day		30	Noise Level	dB	< 70 db(A)
Max. wing width / weight	m / kg	1.5m / 250kg 2.0m / 200kg 2.5m / 150kg	Working temperature	°C	-20°C to +55°C
			Weight (kit)	Kg	20
			Transmitter Frequency	TX4EVF	868MHz (868.30MHz, 868.95MHz, 869.85MHz)
Sending power	<10mW				
End Limit System		Encoder with hard stops	Battery		CR2032 3V
Operating Radio Frequency	MHz	RX 433MHz (433.30MHz, 433.92MHz, 434.54MHz) RX 868MHz (868.30MHz, 868.95MHz, 869.85MHz) TX 865.125MHz, 865.829MHz, 866.587MHz			
Sending Power		<10mW			
Code		Security+ 2.0			
Max. nr of remotes		180			
Max. nr. of keypads		4			
Max. nr. of myQ devices		16			

11. MAINTENANCE

Replace Batteries in The Remote Control

Battery of the remote control:

The batteries in the remote have an extremely long life. If the transmission range decreases, the batteries must be replaced. Batteries are not covered by the guarantee.

Please observe the following instructions for battery:

Batteries should not be treated as household waste. All consumers are required by law to dispose of batteries properly at the designated collection points. Never recharge batteries that are not meant to be recharged.

Danger of explosion!

Keep batteries away from children, do not short-circuit them or take them apart. See a doctor immediately, if a battery is swallowed. If necessary, clean contacts on battery and devices before loading. Remove flat batteries from the device immediately!

Increased risk of leakage!

Never expose batteries to excessive heat such as sunshine, fire or similar!

There is increased risk of leakage!

Avoid contact with skin, eyes and mouth. Rinse the parts affected by battery acid with plenty of cold water and consult a doctor immediately. Use only batteries of the same type. Remove the batteries if the device is not being used for a long time.

Replacing battery:

To replace battery, turn remote control around and open the case with a screwdriver. Lift cover and lift control board below. Slide battery to one side and remove. Watch polarity of battery! Assemble again from in reverse direction.

ATTENTION!

Danger of explosion if battery is replaced improperly. Replacement only by identical or equivalent type (CR2032) 3V.

CAUTION

Risk of explosion if the battery is replaced by an incorrect type.

Do not ingest battery, Chemical Burn Hazard.

This product contains a coin battery. If swallowed, button batteries can cause injuries, or death.

WARNING

- Keep batteries out of sight and out of the reach of children, button/coin batteries can be dangerous for children.
- Dispose of used button batteries immediately. Do not use defect/swallowed batteries.
- Check periodically if the battery compartments is secure, stop using if defect.
- If batteries might have been swallowed or placed inside any part of the body, seek immediate medical attention.



The drive mechanism

The drive mechanism is maintenance free. Check the gate fittings and the drive mechanism at regular intervals (monthly) are securely fixed. Release the drive and check that the gate functions properly. Unless the gate runs smoothly it will not operate correctly with the drive mechanism. The drive cannot eliminate the problems caused by a gate that does not work correctly.


Limit switch adjustment and force regulation


These settings must be checked and undertaken properly during the installation of the opener! Due to weathering, minor changes can occur during operation of the opener that need to be addressed by a new setting. This can particularly happen in the first year of operation. Follow the instructions for setting travel limits and force (refer to section Limit Learning Phase, pages 11 and 12) carefully and re-check the automatic safety reverse after each resetting!

Disassembly

IMPORTANT Notice! Follow the safety notices. See "Safety instructions" (pages 2 and 3). The sequence described in the "installation" section, but in opposite order. Ignore the setup instructions.

12. DISPOSAL

 Our electrical and electronic equipment may not be disposed of with household waste and must be disposed of after use properly in accordance with WEEE Directive EU: 2012/19/EU; GB UK(NI): SI 2012 nr. 19 on waste electrical and electronic equipment in order to ensure that materials are recycled. Collecting waste electrical equipment separately means environmentally-friendly disposal and is completely free of charge for the consumer. WEEE reg. no. in Germany: DE66256568. Any waste packaging left over with the end consumer must be collected separately from mixed waste, in accordance with the Directive. Packaging may not be disposed of with household waste, organic waste or in nature. Packaging material must be separated according to its material and disposed of in the recycling containers provided and in certain council recycling bins.

 Our batteries are marketed in compliance with the law. The 'crossed-out waste bin' indicates that batteries may not be disposed of with household waste. Batteries included in the product (technical data). In order to avoid causing harm to the environment or people's health, used batteries must be returned for regulated disposal at council recycling centres or via retail outlets, as is prescribed by law. Batteries may only be brought for disposal once fully discharged and, in the case of lithium batteries, with their terminals taped over. The batteries can be easily removed from our equipment for disposal. Registration number in Germany: 21002670.

13. WARRANTY

Your statutory rights are not affected by this manufacturer's warranty. Please see www.liftmaster.eu for terms of warranty.

14. DECLARATION OF CONFORMITY

The manual consists of these operating instructions and the declaration of conformity.

The radio equipment type (TX4EVF) is in compliance with Directive 2014/53/EU and for UK with Radio Equipment Regulation SI 2017 No. 1209.

The full text of the EU declaration of conformity is available at the following internet address: <https://doc.chamberlain.de>

TABLE DES MATIÈRES

REMARQUE : Les instructions d'installation et de fonctionnement ont été rédigées à l'origine en anglais. Toute autre langue disponible est une traduction de la version originale en anglais.

1. INSTRUCTIONS DE SÉCURITÉ ET UTILISATION PRÉVUE.....	2
2. ÉLÉMENTS LIVRÉS.....	4
3. OUTILS NÉCESSAIRES.....	4
4. VUE D'ENSEMBLE DE L'AUTOMATISME DE PORTAIL.....	4
5. INSTALLATION MÉCANIQUE.....	5
5.1 Dimensions du portail et de l'automatisme.....	5
5.2 Déterminer la position du support de poteau.....	5
5.3 Installation du support de poteau.....	6
5.4 Montage de l'automatisme et réglage de la distance de déplacement.....	6
5.5 Mécanisme de déverrouillage d'urgence.....	8
5.6 Installation du panneau de commande et câblage du moteur.....	8
5.7 Raccordement électrique.....	8
6. SCHÉMA ÉLECTRIQUE.....	9
7. PROGRAMMATION.....	10
7.1 Écran, boutons de programmation et réglage des fonctions.....	10
7.2 Vue d'ensemble programmation générale.....	10
7.3 Sens de mouvement des vantaux.....	11
7.4 Réglages de base.....	11
7.4.1 Réglages d'application.....	11
7.4.2 Réglage du moteur de direction 1.....	11
7.4.3 Réglage du moteur de direction 2.....	11
7.4.4 Apprentissage des limites.....	11
7.5 Mode veille.....	12
7.6 Programmation et suppression des télécommandes, accessoires radio et appareils myQ.....	13
7.7 Réglages avancés.....	14
7.7.1 Vue d'ensemble réglages avancés.....	14
7.7.2 Réglages de l'émetteur.....	14
7.7.3 Réglages des cellules photoélectriques à infrarouge.....	14
7.7.4 Réglages d'entrée.....	14
7.7.5 Ouverture partielle moteur 1.....	15
7.7.6 Temporisation moteur 2 dans le sens ouverture.....	15
7.7.7 Temporisation moteur 1 dans le sens ouverture.....	15
7.7.8 Minuterie de fermeture.....	15
7.7.9 Temps d'inversion après impact.....	15
7.7.10 Réglages verrou électronique/verrou magnétique.....	15
7.7.10a Moteur de décharge 1 pour verrou électronique.....	16
7.7.11 Réglages lumière clignotante.....	16
7.7.11a Pré-clignotement.....	16
7.7.12 Réglages contacteur spécial.....	16
7.7.13 Vitesse de démarrage dans les sens ouverture et fermeture.....	16
7.7.14 Compteur de maintenance.....	16
7.7.15 Fonctions protégées par mot de passe et configuration.....	16
7.7.15a Configuration du mot de passe.....	16
7.7.15b Utilisation du mot de passe.....	17
7.7.15c Changement de mot de passe.....	17
7.7.15d Force des moteurs 1 et 2 dans les sens ouverture et fermeture.....	17
7.7.15e Vitesse des moteurs 1 et 2 dans les sens ouverture et fermeture.....	17
7.7.15f Vitesse arrêt en douceur.....	18
7.8 Réglages d'usine.....	18
7.9 Terminer et quitter.....	18
8. BATTERIE DE SECOURS.....	18
9. CODES D'ERREUR.....	18
10. DONNÉES TECHNIQUES.....	19
11. MAINTENANCE.....	20
12. ÉLIMINATION.....	20
13. GARANTIE.....	20
14. DÉCLARATION DE CONFORMITÉ.....	20

1. INSTRUCTIONS DE SÉCURITÉ ET UTILISATION PRÉVUE

À propos de ce manuel - Manuel original

Ces instructions sont les instructions de fonctionnement originales, conformément à la directive Machines 2006/42/CE. Le manuel d'instruction doit être lu attentivement pour comprendre les informations importantes relatives au produit. Prêtez attention aux consignes de sécurité et d'avertissement. Conservez le manuel dans un endroit sûr pour vous y référer à l'avenir et le mettre à disposition à toutes les personnes responsables de l'inspection, du service, de la maintenance et de la réparation. Une fois l'installation terminée, toute la documentation doit être remise à la personne responsable/au propriétaire.

Qualification d'un installateur compétent

Uniquement installation et maintenance correctes par un installateur compétent (spécialiste)/une entreprise compétente qui, dans le respect des instructions, doit connaître et garantir le fonctionnement sûr et conforme de l'installation. Le spécialiste est celui qui, sur la base de sa formation technique et de son expérience, dispose de connaissances suffisantes dans le domaine des portails motorisés et qui, en outre, est familiarisé avec les réglementations nationales en matière de sécurité au travail et les règles techniques généralement acceptées, de sorte qu'il est en mesure d'évaluer la sécurité de leur fonctionnement conformément à EN 13241, 12604, 12453 (EN12635)

L'installateur doit comprendre ce qui suit :

Avant d'installer l'entraînement, vérifiez que la pièce entraînée est en bon état mécanique, qu'elle s'ouvre et se ferme correctement et qu'elle est correctement équilibrée si nécessaire.




Avant toute première utilisation, et au moins une fois par an, un spécialiste doit inspecter le portail motorisé pour vérifier son état de sécurité. Après l'installation, l'installateur doit s'assurer que le mécanisme est ajusté convenablement et que le système de protection et les dispositifs de déverrouillage manuel fonctionnent correctement (EN 13241, EN12604, EN 12453, EN 12635). Une maintenance et une inspection régulières doivent être réalisées conformément aux normes. L'installateur doit former les autres utilisateurs quant au fonctionnement en toute sécurité du système d'entraînement.

Une fois le système d'entraînement installé correctement, l'installateur responsable doit, en conformité avec, pour l'UE : la directive Machines 2006/42/CE ; la déclaration de conformité CE pour le système de portail. L'étiquette de marque CE doit être apposée sur le système de portail. C'est aussi obligatoire dans le cadre d'un post-équipement d'un portail à fonctionnement manuel. De plus, un dossier de remise de l'appareil et un registre d'inspection doivent être remplis.

Veuillez lire le mode d'emploi, en particulier les indications de sécurité. Les symboles suivants sont ajoutés au mode d'emploi pour éviter toute blessure corporelle ou tout dommage matériel. Veuillez lire ces instructions attentivement.

Symboles d'avertissement

Le symbole général d'avertissement indique un danger pouvant entraîner des blessures, voire la mort. Dans la section texte, les symboles généraux d'avertissement sont utilisés comme décrit ci-dessous.

Symbole DANGER	Symbole AVERTISSEMENT	Symbole PRUDENCE	Symbole ATTENTION
 DANGER	 AVERTISSEMENT	 PRUDENCE	ATTENTION
Indique un danger entraînant directement la mort ou des blessures graves.	Indique un danger pouvant entraîner la mort ou des blessures graves.	Indique un danger pouvant entraîner des dommages ou la destruction du produit.	Indique un danger pouvant entraîner des dommages ou la destruction du produit.

Utilisation prévue

L'automatisme de portillon pivotant est uniquement conçu et testé pour le bon fonctionnement de portillons pivotants dans le domaine résidentiel et non commercial.

Les spécifications pour les portails sont définies dans les exigences mécaniques conformément aux normes : EN12604.

La taille de portail maximale autorisée et le poids maximal ne doivent pas être dépassés. Le portail doit s'ouvrir et se fermer sans encombrer à la main. Utilisez l'automatisme sur des portails conformes aux normes et directives en vigueur. Les conditions régionales de pression du vent doivent être prises en considération lors de l'utilisation de panneaux de portes ou de portails : EN13241. Veuillez respecter les spécifications du fabricant quant à la combinaison porte et dispositif. Les risques possibles au sens de EN13241 doivent être évités en concevant et en installant la porte/le portail de façon conforme aux instructions correspondantes. Le mécanisme de la porte doit être installé et actionné dans le respect des règles de sécurité appropriées.

Utilisation incorrecte

Il n'est pas conçu pour une utilisation continue ni pour une utilisation dans une application commerciale.

La construction du système d'entraînement n'est pas conçue pour faire fonctionner des portes en dehors des spécifications du fabricant.

Il n'est pas autorisé sur les portails qui se déplacent en pente.

Toute utilisation non conforme du système d'entraînement peut augmenter le risque d'accidents. Le fabricant n'assume aucune responsabilité pour de telles utilisations. Avec cet entraînement, les portes automatiques doivent respecter les normes, directives et règlements nationaux/locaux et internationaux actuellement en vigueur (EN 13241, EN12604, EN 12453).

Seuls des accessoires LiftMaster et approuvés peuvent être connectés à l'entraînement. Toute installation incorrecte et/ou tout non-respect du mode d'emploi ci-après peuvent entraîner des blessures corporelles graves ou des dommages matériels importants.

Les systèmes de portail situés dans des zones publiques à la force limitée doivent être actionnés sous une totale surveillance.

Des équipements de sécurité supplémentaires doivent être installés en conformité avec EN 12453.

1. INSTRUCTIONS DE SÉCURITÉ ET UTILISATION PRÉVUE

Durant le fonctionnement, le portail ne doit en aucun cas bloquer des voies et des routes publiques (zone publique).

Lors de l'utilisation d'outils et de petites pièces pour installer un portail ou le réparer, soyez prudent et ne portez pas de bague, de montre ni de vêtements larges.

Pour éviter toute blessure corporelle grave liée à un risque de coincement, retirez tout dispositif de verrouillage installé sur le portail ; vous éviterez ainsi également de l'endommager.

L'installation et le câblage doivent être conformes aux normes locales de construction et d'installation électrique. Les câbles électriques ne doivent être reliés qu'à une source correctement mise à la terre.

Déconnectez le système avant de l'installer, d'effectuer sa maintenance, de le réparer ou d'en retirer le boîtier. Un dispositif de déconnexion doit être fourni à l'alimentation principale (installation à câblage fixe) pour garantir la déconnexion de tous les pôles (sectionneur ou fusible séparé). Les réparations et les installations électriques doivent uniquement être réalisées par un électricien autorisé. Un bouton d'arrêt d'urgence doit être installé pour les cas d'urgence en fonction de l'évaluation des risques.

Assurez-vous qu'il n'y a pas de risque de coincement entre la pièce entraînée et les pièces fixes à côté lorsque la pièce entraînée se déplace, en respectant les distances de sécurité indiquées en conformité avec les normes EN 13241, EN12604, EN 12453, EN 12635 et/ou avec les dispositifs de sécurité (par ex. butée de sécurité).

Il est recommandé de tester la fonction de sécurité du système d'entraînement au moins une fois par mois. Référez-vous également aux instructions du fabricant des composants du système de portail.

Une fois l'installation terminée, réalisez un dernier test du fonctionnement complet du système et des dispositifs de sécurité ; en outre, tous les utilisateurs doivent être formés au fonctionnement et à l'actionnement de l'automatisme de portes pivotantes.

Les systèmes de portail doivent respecter la limitation des forces conformément à EN 12453, EN 60335-2-103.

Un dispositif supplémentaire de sécurité (butée de sécurité) doit être prévu en cas de changements au système, conformément à la norme.

Il est important de s'assurer que la porte se déplace toujours sans encombre. Les portes qui coincent ou se bloquent doivent être immédiatement réparées. Faites appel à un technicien qualifié pour réparer le portail, ne cherchez jamais à le réparer vous-même. L'appareil n'est pas conçu pour être utilisé par des personnes (y compris des enfants) aux capacités physiques, sensorielles ou mentales limitées, ou manquant d'expérience ou de connaissance, sauf si elles sont supervisées par une personne responsable de leur sécurité ou ont été informées de la façon de l'utiliser. Si nécessaire, un équipement de contrôle DOIT être installé dans un endroit visible à proximité du portail, hors de la portée des enfants. Les enfants doivent être surveillés pour s'assurer qu'ils ne jouent pas avec l'appareil. Ne laissez pas les enfants toucher au ou aux boutons ni à la ou aux télécommandes. Une mauvaise utilisation du système d'automatisme de portail peut entraîner des blessures graves.

Les panneaux d'avertissement doivent être installés à des endroits clairement visibles.

Le système d'ouverture de la porte ne doit être utilisé QUE si l'utilisateur peut voir toute la zone du portail et qu'il est sûr qu'il n'y a pas d'obstacle et que l'automatisme de la porte est réglé correctement. Personne ne doit passer dans la zone du portail pendant qu'il est en mouvement. Les enfants ne doivent pas être autorisés à jouer à proximité du portail.

La protection totale contre tout risque d'écrasement ou de coincement doit fonctionner immédiatement dès que les bras d'entraînement sont installés.

Il peut y avoir des risques sur l'installation mécanique ou électrique ou les points de fermeture de la porte par écrasement, ou des points d'impact :

- défaillance structurelle, vantail, charnières, fixations, butées de fin de course, pression du vent
- écrasement, zone des charnières, sous la porte, distance de sécurité par rapport à l'objet fixe
- défaillance électrique (contrôle - défauts dans les systèmes de sécurité)
- impact, surface balayée, maintien de la pression, limitation de pression, détection de présence

Des mesures appropriées doivent être prises pour assurer le bon fonctionnement du système de porte dans le respect des normes.

Ne démarrez jamais un entraînement endommagé.

Utilisez le déverrouillage manuel uniquement pour libérer l'entraînement et, si possible, SEULEMENT lorsque la porte est fermée. L'opération du déverrouillage manuel d'urgence peut entraîner des mouvements incontrôlés de la part de la porte. La fonction Timer to Close (TTC - minuterie de fermeture) et l'application de contrôle myQ sur smartphone sont des exemples d'opération de la porte sans surveillance.

Tout appareil ou toute fonction permettant à la porte de se fermer alors que cette dernière est hors de la vue de l'utilisateur est considéré comme ouverture/fermeture sans surveillance.

La fonction Timer to Close (TTC - minuterie de fermeture), le contrôle myQ sur smartphone et tout autre appareil myQ ne peuvent être activés QUE si les cellules photoélectriques LiftMaster sont installées (TTC ne fonctionne que dans le sens de la fermeture). La porte ne doit être actionnée que lorsque l'utilisateur l'a bien en vue.

INFORMATION IMPORTANTE !

- Cette procédure est également nécessaire sur les installations privées (nouvelles ou porte à fonctionnement manuel équipée ultérieurement).
Ce manuel d'installation et d'utilisation doit être conservé par l'utilisateur.
- Le fabricant n'accepte aucune responsabilité ni réclamation au titre de la garantie pour toute utilisation autre que celle prévue, ou après l'expiration de la garantie.
- Le recours juridique est la seule responsabilité acceptée pour tous les droits associés.

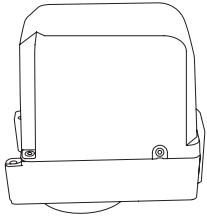
REMARQUE : Respectez le manuel d'installation et d'utilisation.

- Surveillez toujours le fonctionnement du système et remédiez immédiatement au problème en cas de mauvais fonctionnement.
- Réalisez une inspection annuelle du système. Appelez un spécialiste.
- Les distances de sécurité doivent être respectées entre le vantail et l'environnement, conformément aux normes appropriées.
- L'automatisme doit être installé uniquement sur des vantaux de portail stables et rigides. Les vantaux du portail ne doivent pas se plier ni se tordre lorsqu'ils s'ouvrent ou se ferment.
- Assurez-vous que les charnières du vantail du portail sont installées correctement et qu'elles fonctionnent bien, sans créer d'obstacle.
- Il est strictement interdit d'installer deux automatismes sur le même vantail de portail.

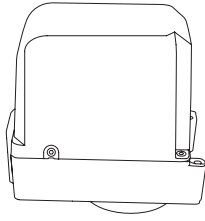


2. ÉLÉMENTS LIVRÉS

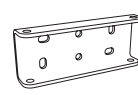
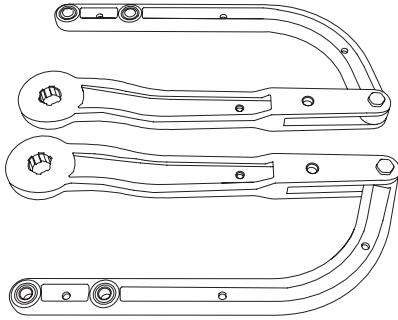
AA250EVK



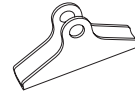
Unité primaire avec
panneau de commande



Unité
secondaire



Supports de
montage sur
poteau (2x)



Supports de
montage sur
portail (2x)



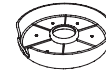
Circlips (2x)



Tiges pour
circlip (2x)



Vis et écrous
(4x)



Couvercles
(2x)



Vis et
rondelles (2x)



Décharge de
traction
4 x M16
2 x M20



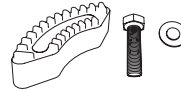
Passe-câbles
(6x)



Télécommandes
(2x)



Clés de
déverrouillage (4x)

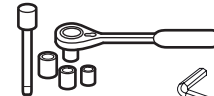
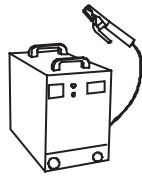
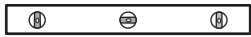
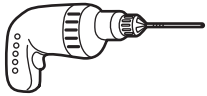


Butées (4x)
Vis + rondelles (4x)



Manuel
d'installation

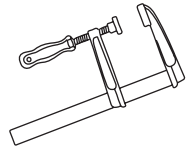
3. OUTILS NÉCESSAIRES



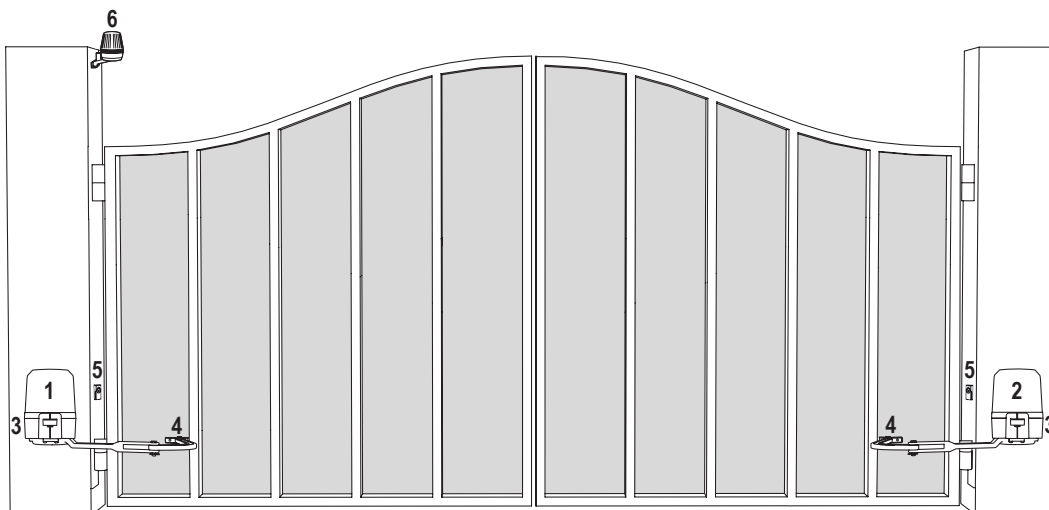
13, 14 mm



6 mm



4. VUE D'ENSEMBLE DE L'AUTOMATISME DE PORTAIL



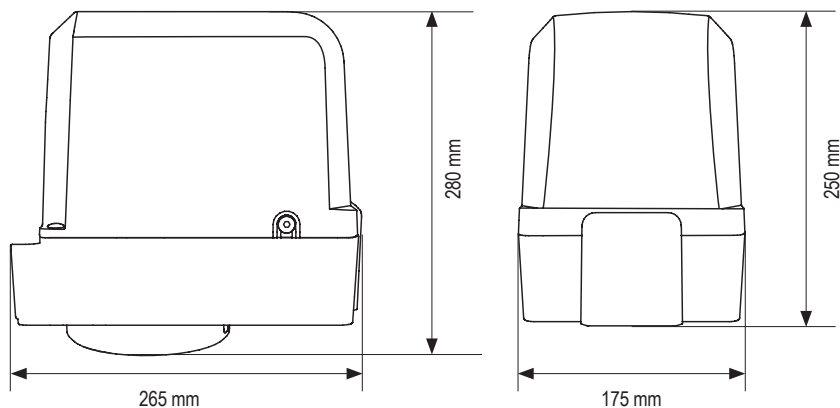
1. Moteur 1 avec panneau de commande
2. Moteur 2
3. Support de poteau (invisible)
4. Support de portail
5. Cellules photoélectriques à infrarouge
6. Lampe clignotante

5. INSTALLATION MÉCANIQUE

Vous voici arrivé à l'installation mécanique de l'automatisme de portail.

5.1 Dimensions du portail et de l'automatisme

AA250EVK



AA250EVK	
1,5 m	250 kg
2,0 m	200 kg
2,5 m	150 kg

Installation type

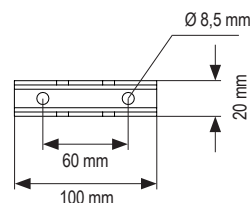
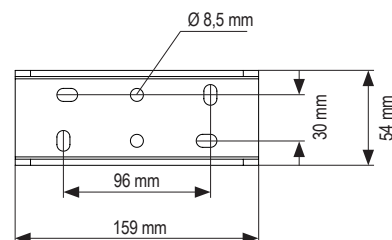
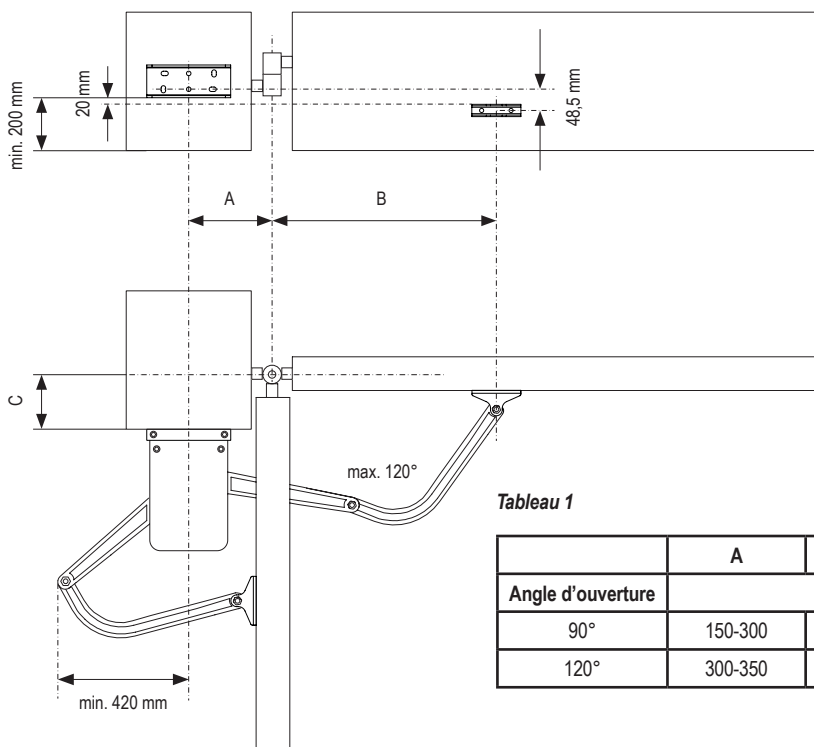


Tableau 1

	A	B	C
Angle d'ouverture	mm		
90°	150-300	390-540	0-300
120°	300-350	300-350	0-25

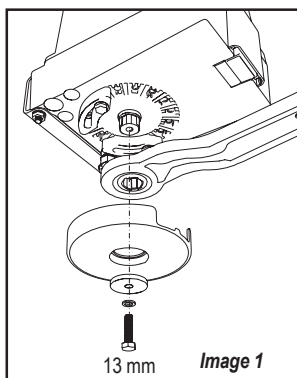
5.2 Déterminer la position du support de poteau

- Déterminez les dimensions A, B et C sur la base de l'angle d'ouverture indiqué dans le tableau 1 pour confirmer la position d'installation du support de poteau.

REMARQUE : tous les points d'écrasement doivent être sécurisés par une protection anticoincement conformément à UE : EN 12453, EN 60335-2-103 ; GB (UK, NI) : BS EN 12453, BS EN 60335-2-103.

Montage du bras de l'automatisme

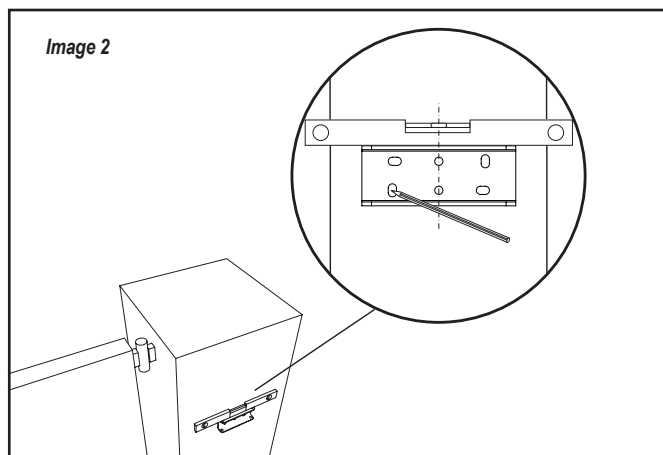
- Fixez le bras du moteur au centre du dispositif d'ouverture par le dessous.
- Sécurisez les bouchons avec la vis et la rondelle.



5. INSTALLATION MÉCANIQUE

5.3 Installation du support de poteau

1. En vous servant du support de poteau comme référence, notez et percez les trous pour le support.
2. Fixez le support de poteau à l'aide du matériel de fixation adapté en fonction de l'installation existante (bâtiment/matériau). Veuillez consulter le fabricant du portail.
3. Les fentes sur le support de poteau permettent un réglage. Une fois que le support de poteau est à niveau, resserez les écrous.



REMARQUE : pour les poteaux en brique ou en béton, veuillez utiliser les chevilles et les vis adaptées. Veuillez respecter la bonne distance par rapport aux bords du poteau.
Pour les poteaux métalliques, tenez compte de leur épaisseur et soudez ou boulonnez les supports directement sur les poteaux.
Pour les poteaux en bois, veuillez utiliser les vis adaptées et recourir si nécessaire à des plaques de renfort.
Prudence : les supports fixés ne doivent pas se desserrer après l'installation ni durant le fonctionnement.

5.4 Montage de l'automatisme et réglage de la distance de déplacement

1. Alignez les trous de l'automatisme aux trous du support de poteau et reliez-les à l'aide des vis et des écrous (voir image 3.a).
2. Reliez le bras à l'arbre de l'unité moteur (voir l'image 3.b). N'installez pas encore la protection plastique si vous prévoyez d'installer les butées de l'automatisme.
3. Débloquez l'embrayage de l'automatisme grâce à la clé de déverrouillage (voir l'image 4 à la page 7).
4. Mettez le vantail en position fermée.

REMARQUE : le système doit fonctionner avec les butées du portail extérieures ou de l'automatisme dans les deux sens.

5.4.1 Installation avec butées du portail extérieures : (butées du portail déjà installées)

- a. Placez le support de portail à la position entièrement fermée souhaitée comme illustré sur l'image 3.c. Fixez-le temporairement sur le vantail du portail et reliez-le au bras de l'automatisme en tenant compte des dimensions A, B et C du tableau 1.
- b. Ouvrez et fermez manuellement le portail aux positions souhaitées. Assurez-vous que le bras de l'automatisme ne force pas et que le portail bouge sans encombres.
- c. Fixez de façon permanente le support de portail à la position correcte choisie.

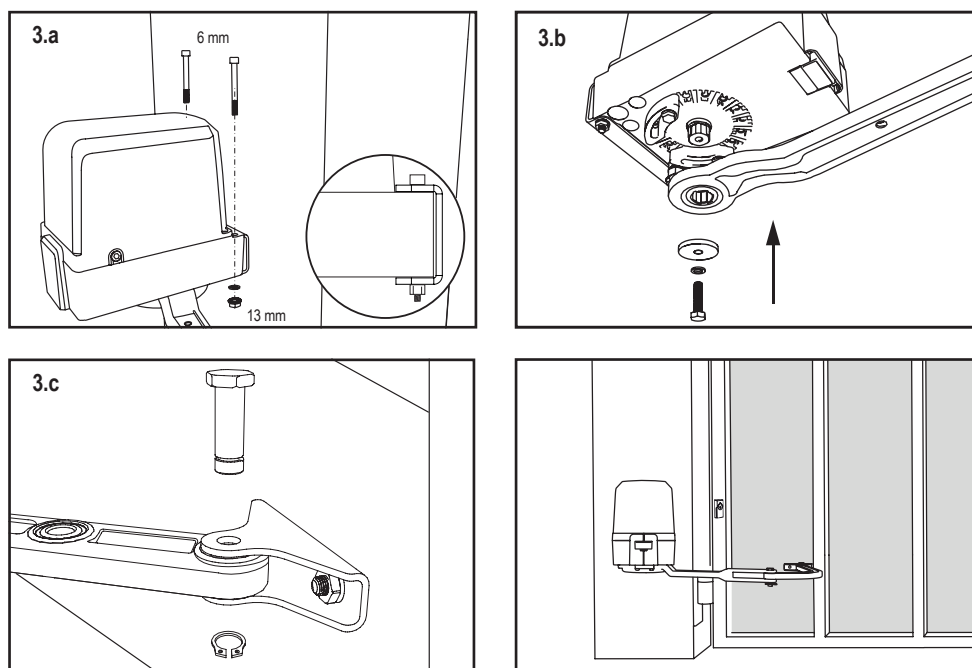
5.4.2 Installation avec butées d'automatisme : (pas de butées de porte installées)

- a. Placez le support de portail à la position entièrement fermée souhaitée comme illustré sur l'image 3.c. Fixez-le temporairement au vantail du portail (ne le fixez pas encore de façon permanente au vantail pour permettre les réglages) et reliez-le au bras de l'automatisme en tenant compte des dimensions A, B et C du tableau 1.
- b. Ouvrez et fermez manuellement le portail aux positions souhaitées. Assurez-vous que le bras de l'automatisme ne force pas et que le portail bouge sans encombres.
- c. Placez la butée de l'automatisme pour la position « fermé » le plus près possible du bras (voir l'image 3.d).
Maintenez le vantail du portail dans la position « fermé » souhaitée et réglez la position du support de portail de façon à ce que le bras touche la butée en position « fermé » (voir les images 3.e et 3.f).
- d. Fixez de façon permanente le support de portail à la position correcte choisie.
- e. Ouvrez le portail à la position « ouverte » souhaitée et placez la butée de l'automatisme en position « ouverte » le plus près possible du bras (voir les images 3.g et 3.h).
- f. Installez le couvercle de protection en bas de l'automatisme (voir l'image 3.i).

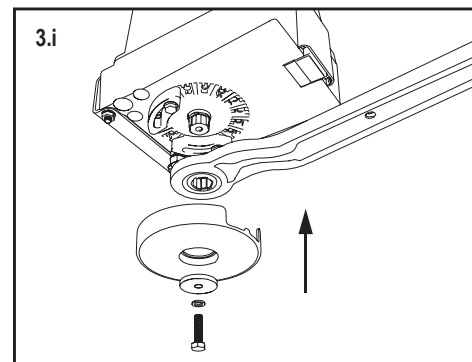
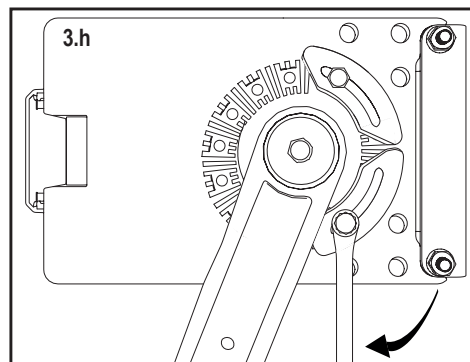
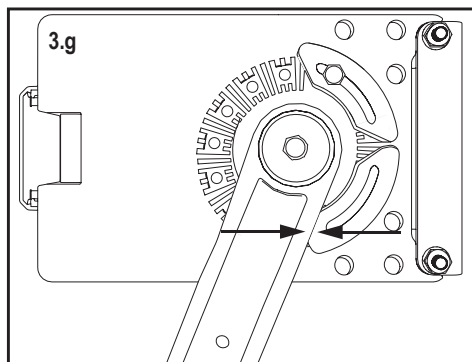
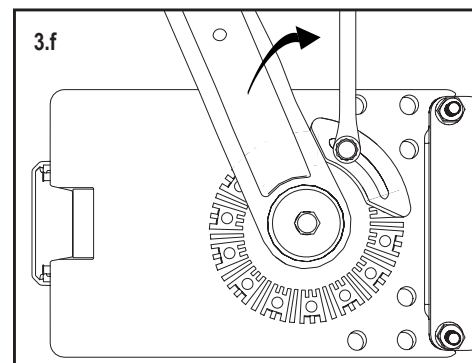
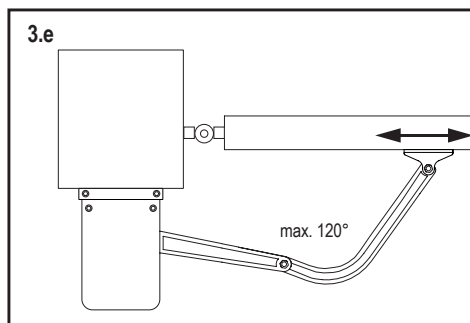
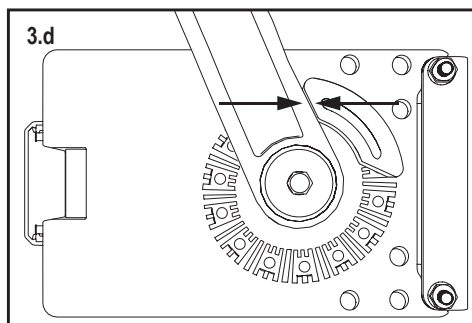
4.3 Il est autorisé de combiner l'automatisme et les butées de portail. Veuillez utiliser les procédures de configuration correspondante comme décrites ci-dessus.

5. Répétez la procédure pour l'unité du côté opposé.

Image 3



INSTALLATION

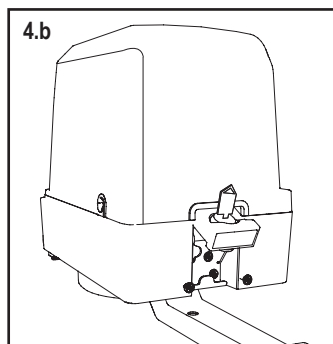
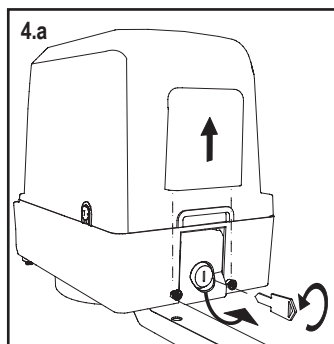


5.5 Mécanisme de déverrouillage d'urgence

Pour désarmer le mécanisme de déverrouillage, retirez le couvercle en plastique, insérez la clé et tournez-la à 90°.

Tirez l'embrayage vers le haut (voir l'image 4). Pour réarmer le mécanisme de déverrouillage, poussez l'embrayage vers le bas et tournez la clé à 90°.

Image 4



INSTALLATION

5.6 Installation du panneau de commande et câblage du moteur

Le panneau de commande est pré-installé dans l'unité primaire et pré-connecté au terminal du moteur 1.

Pour accéder au panneau de commande de l'unité primaire, desserrez les 2 vis sur les côtés du couvercle et les 2 vis à l'arrière de l'unité primaire (voir l'image 5).

Les terminaux pour les accessoires de câblage sont directement accessibles. Pour accéder aux boutons de programmation, retirez le couvercle en plastique transparent et remplacez-le une fois la programmation terminée (voir l'image 6). Retirez le couvercle de l'unité secondaire de la même façon que pour l'unité primaire afin d'avoir accès au terminal de câblage du moteur (voir l'image 7).

Image 5 Retrait du couvercle

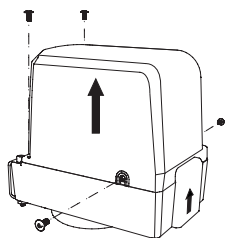


Image 6 Unité primaire

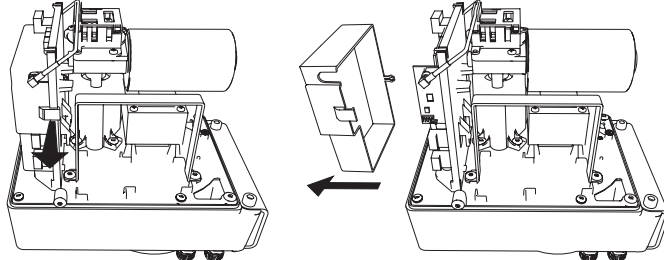
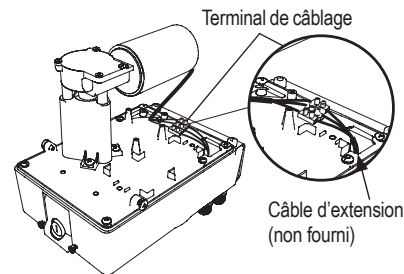


Image 7 Unité secondaire



Par défaut, l'unité primaire est considérée installée à gauche (lorsqu'on regarde depuis l'intérieur), et l'unité secondaire à droite.

Si l'unité primaire est installée à droite et l'unité secondaire à gauche, changez les réglages des fonctions « d1 » et « d2 ».

Connexion du moteur 1

REMARQUE : l'automatisme relié au terminal MOTEUR 1 par des câbles s'ouvrira toujours en premier et se fermera en dernier.

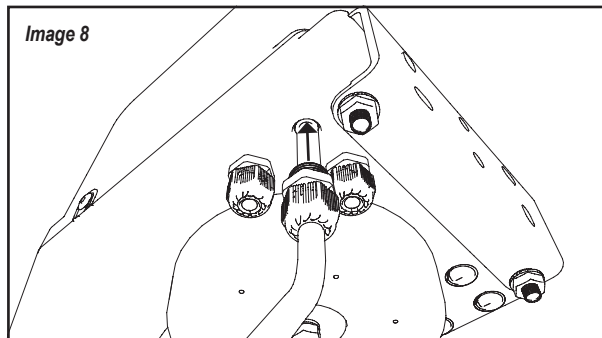
Veuillez le noter pour les réglages de base et avancés (voir la section Programmation).

L'unité primaire est déjà pré-câblée jusqu'aux terminaux du MOTEUR 1. Aucune autre action n'est requise pour le câblage du moteur 1.

Connexion du moteur 2

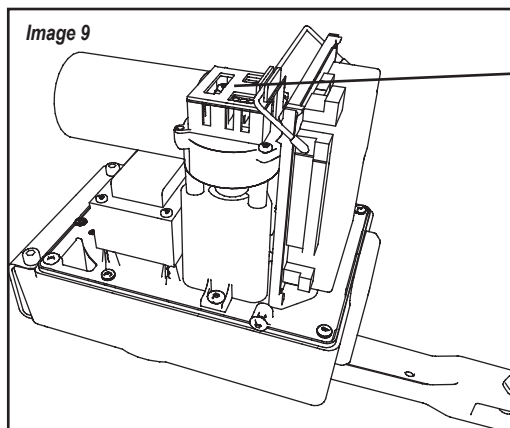
REMARQUE : l'automatisme relié au terminal MOTEUR 2 par des câbles s'ouvrira toujours en dernier et se fermera en premier. Veuillez le noter pour les réglages de base et avancés (voir la section Programmation).

1. Reliez le câble d'extension (non fourni) aux terminaux de câblage de l'unité secondaire (voir l'image 7). Notez les couleurs des câbles du moteur secondaire pour les faire correspondre sur le terminal de câblage du panneau de commande pour le MOTEUR 2.
2. Passez le câble d'extension du moteur secondaire par un des presse-étoupes en bas de l'unité primaire (voir l'image 8). Assurez-vous d'utiliser le côté du moteur où le bras ne risque pas de couper les câbles durant le mouvement d'ouverture ou de fermeture.
3. Connectez les câbles du moteur secondaire aux terminaux du MOTEUR 2 comme suit : câble rouge sur terminal ROUGE (RED), câble vert sur terminal VERT (GRN), câble blanc sur terminal BLANC (WHT) du panneau de commande.



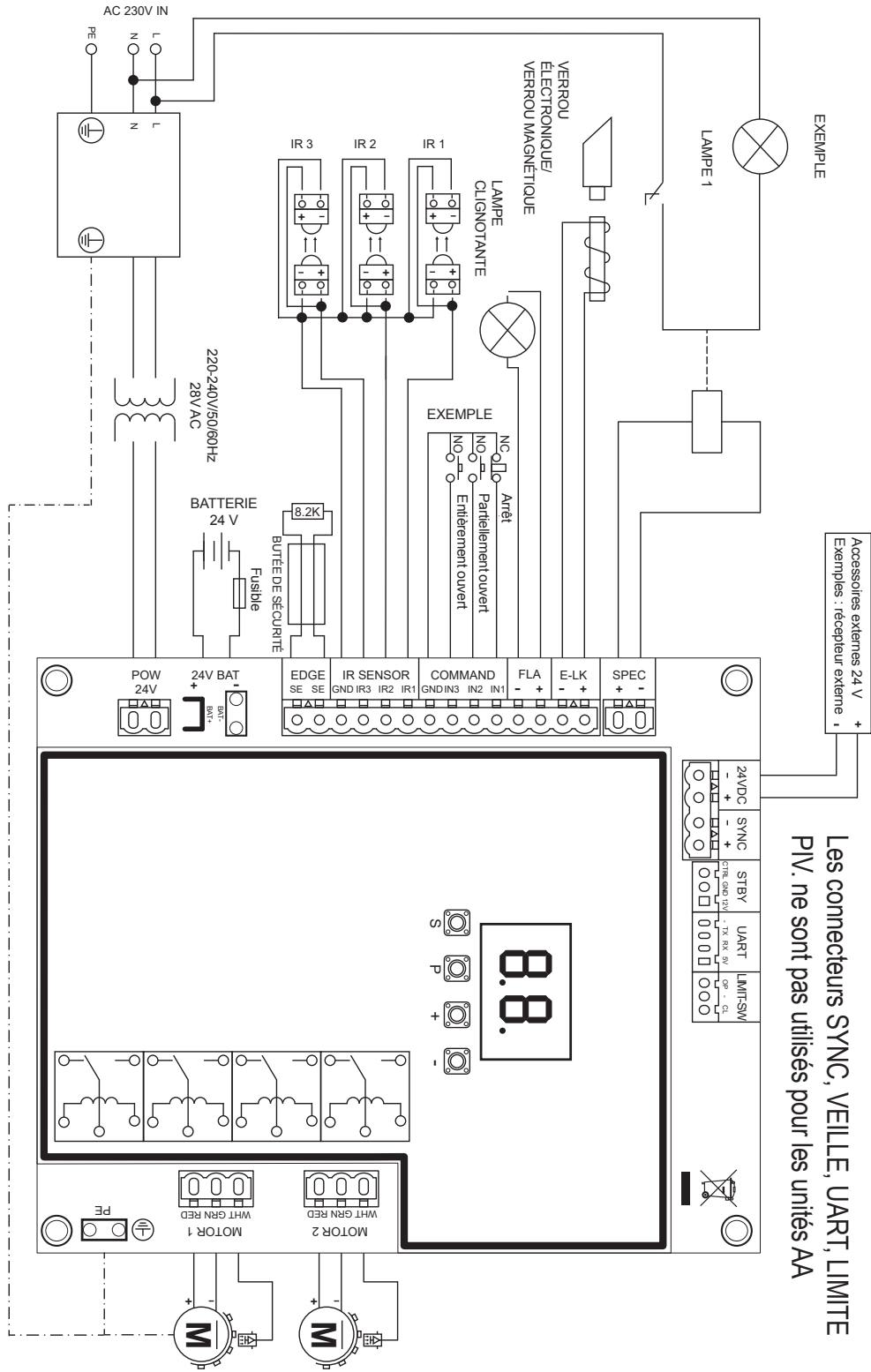
5.7 Raccordement électrique

Le raccordement électrique au secteur doit être réalisé par un électricien certifié.

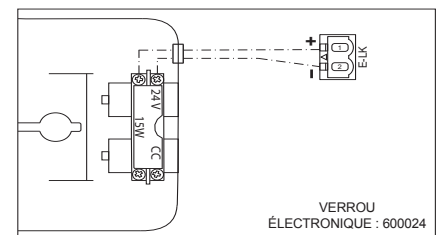
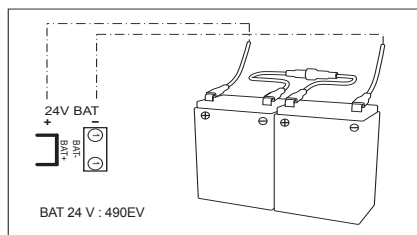
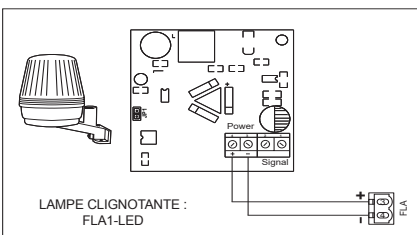


Félicitations ! L'installation mécanique de votre automatisme de portail est maintenant terminée. Passez aux étapes Programmation et Réglages de base pour pouvoir démarrer l'utilisation.

6. SCHÉMA ÉLECTRIQUE



Les connecteurs SYNC, VEILLE, UART, LIMITE P.V. ne sont pas utilisés pour les unités AA



7. PROGRAMMATION

7.1 Écran, boutons de programmation et réglage des fonctions

Programmer la fonction des boutons (4 boutons) :

Bouton	Fonction
S	programme/supprimer les commandes à distance et fonctions spécifiques
P	entrer dans le mode de programmation, sélectionner la fonction et enregistrer
+/-	naviguer dans le menu et changer la valeur à l'écran

La fonction et les valeurs programmées s'affichent sur l'écran LED.

Réglage des fonctions - mode programmation

L'écran LED affiche les valeurs suivantes une fois que le panneau de commande est alimenté :

--	le panneau de commande est pré-programmé pour l'application pertinente (voir ci-dessous sous « Application » et « Mode veille » pour une description du statut).
E0	« E0 » au cas où le panneau de commande n'a pas encore été programmé, ou réinitialisation en appuyant sur « Réglage usine ». À partir de ce statut, une commande d'entrée ou de l'émetteur sera toujours ignorée.

Vous allez maintenant commencer à programmer votre automatisme de portail.

7.2 Vue d'ensemble programmation générale

La programmation est divisée en 2 sections :

1. Réglages de base (page 11)
2. Réglages avancés (page 14)

Une fois les réglages de base réalisés, les paramètres suivants seront appris automatiquement durant la phrase d'apprentissage :

1. Course entre les positions **ENTIÈREMENT FERMÉ** et **ENTIÈREMENT OUVERT**.
2. Force d'ouverture et de fermeture pour chaque moteur.

REMARQUE :

- les réglages de base et la phase d'apprentissage doivent être terminés pour permettre l'utilisation.
- Une fois la phrase d'apprentissage et la programmation terminées, l'automatisme fonctionnera avec les réglages par défaut.
- Les réglages avancés ne sont pas accessibles si les réglages de base et la phase d'apprentissage n'ont pas été terminés.
- **Avant de passer à la programmation, assurez-vous que les dispositifs de sécurité pertinents sont connectés.**

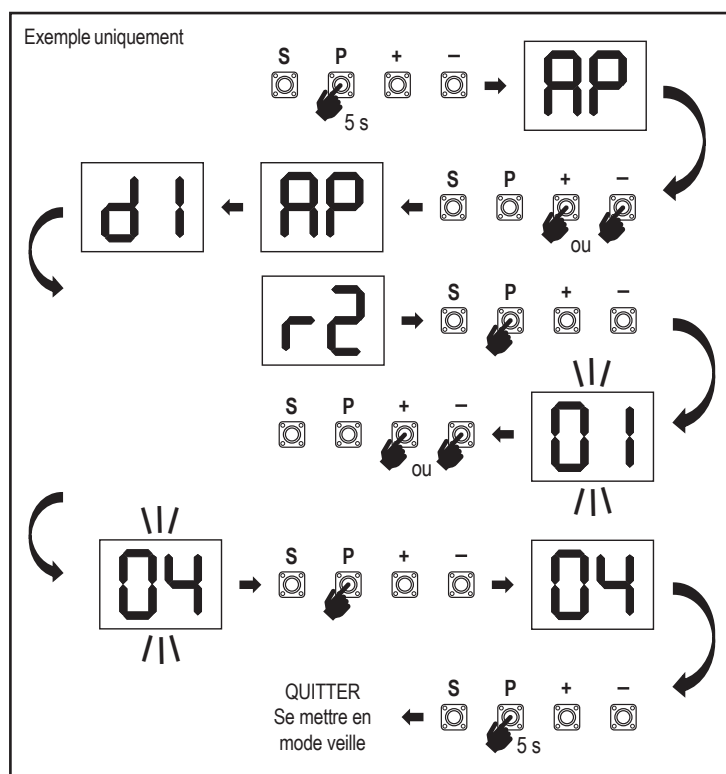
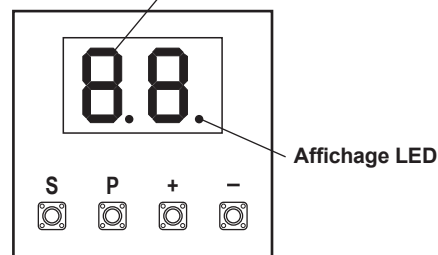
Configuration générale :

1. Appuyez sur le bouton « P » et maintenez-le enfoncé pendant 5 secondes pour entrer dans le menu. « AP » à l'écran indique la première fonction disponible dans le menu.
2. Utilisez les boutons « + » et « - » pour passer d'une fonction à l'autre.
3. Appuyez sur « P » pour sélectionner la fonction souhaitée.
4. Le réglage par défaut ou la valeur programmée précédemment apparaît. La valeur clignote à l'écran.
5. Utilisez les boutons « + » ou « - » pour sélectionner la valeur nécessaire. Appuyez sur « P » pour confirmer la sélection.
6. La fonction programmée s'affiche à l'écran.
7. Pour modifier le paramétrage d'une autre fonction, répétez les étapes des points 2 à 6
8. Pour quitter le menu Fonction, appuyez sur le bouton « P » pendant 5 secondes ; le panneau se met en veille.

Si vous n'appuyez pas sur le bouton « P » pour confirmer la nouvelle configuration de valeur, les nouveaux paramètres seront enregistrés au bout de 3 minutes et le menu de programmation sera fermé pour retourner en mode veille.

REMARQUE : Pour actionner le portail ou exécuter une commande, le menu de réglage doit être quitté en appuyant pendant 5 secondes sur le bouton « P », ou en attendant 3 minutes pour qu'il se ferme automatiquement et retourne en mode veille.

Écran LED à 2 chiffres



7. PROGRAMMATION

7.3 Sens de mouvement des vantaux

Avant la programmation, déplacez manuellement le portail en position médiane et réarmez le mécanisme de déverrouillage (voir page 7).

Appuyez sur le bouton « - » du panneau de commande et maintenez-le enfoncé ; assurez-vous que les moteurs se déplacent dans le sens **FERMETURE**. Si c'est correct, relâchez immédiatement le bouton « - » ; le portail s'arrête.

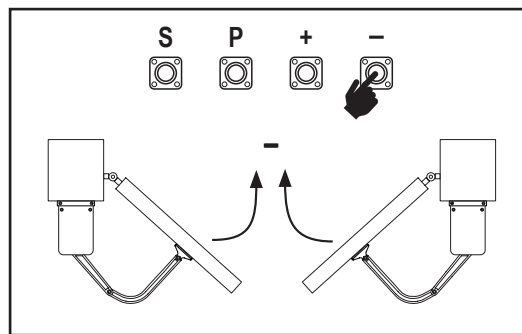
Si les moteurs se déplacent dans le sens **OUVERTURE**, allez aux fonctions « d1 » et « d2 » et modifiez les paramètres de direction.

Une fois que le sens de **FERMETURE** est configuré correctement, laissez le portail en position médiane. L'automatisme est prêt pour la phase d'apprentissage.

Remarque : le portail peut être déplacé à l'aide des boutons « + » et « - » avant d'avoir configuré les paramètres finaux si nécessaire.

Appuyez sur le bouton « + » du panneau de commande et maintenez-le enfoncé pour déplacer le portail en position **OUVERT**. Une fois que le bouton est relâché, l'automatisme s'arrête.

Appuyez sur le bouton « - » du panneau de commande et maintenez-le enfoncé pour déplacer le portail en position **FERMÉ**. Une fois que le bouton est relâché, l'automatisme s'arrête.



7.4 Réglages de base

Vue d'ensemble des réglages de base

LED		Fonction
		Réglages de base (obligatoire)
AP	AP	Application
d1	d1	Moteur de direction 1
d2	d2	Moteur de direction 2
LL	LL	Phase d'apprentissage des limites

7.4.1 Réglages d'application

Fonction application affichée à l'écran.

Cette fonction est déjà pré-configurée en usine à la valeur 05.



05	Portail pivotant, deux moteurs pour application AA250 (par défaut)
-----------	--

Plus de paramètres disponibles sur demande :

00	Aucune application sélectionnée
04	Portail pivotant, un moteur pour application AA250

Les valeurs 01-03, 06 et 07 ne conviennent pas adaptées pour l'application AA250 et ne doivent pas être choisies.

7.4.2 Réglages du moteur de direction 1



Fonction moteur de direction 1 affichée à l'écran.

Définit la direction de mouvement du moteur 1.

01	Le moteur 1 se déplace dans le sens de la fermeture lorsqu'il est installé à droite .
02	Le moteur 1 se déplace dans le sens de la fermeture lorsqu'il est installé à gauche (par défaut) .

7.4.3 Réglages du moteur de direction 2

Fonction moteur de direction 2 affichée à l'écran.

Définit la direction de mouvement du moteur 2. Pas disponible pour l'application « moteur unique ».



01	Le moteur 2 se déplace dans le sens de la fermeture lorsqu'il est installé à droite (par défaut) .
02	Le moteur 2 se déplace dans le sens de la fermeture lorsqu'il est installé à gauche .

7.4.4 Apprentissage des limites



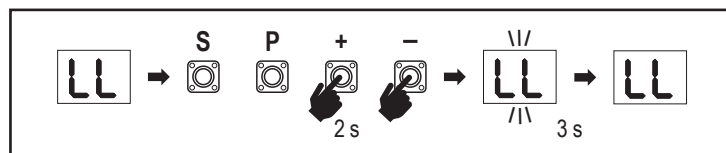
Avant de démarrer une phase d'apprentissage, assurez-vous que :

1. les autres réglages de base sont terminés
2. Les butées intérieures/extérieures sont installées (pour les portails pivotants)
3. le premier mouvement sera en direction de la **FERMETURE**.

Méthodes d'apprentissage disponibles :

Mode d'apprentissage standard (automatique)

1. Appuyez sur les boutons « + » et « - » et maintenez-les enfoncés pendant 2 secondes.
2. Le processus d'apprentissage automatique démarre. LL va clignoter à l'écran durant tout le processus.
3. Le vantail 2 se déplace dans le sens de la **FERMETURE** jusqu'à atteindre la butée, puis s'arrête.
4. Le vantail 1 se déplace dans le sens de la **FERMETURE** jusqu'à atteindre la butée, puis s'arrête pendant 2 secondes. Puis le vantail 1 démarre dans le sens de l'**OUVERTURE** jusqu'à atteindre la butée.
5. Le vantail 2 se déplace dans le sens de l'**OUVERTURE** jusqu'à atteindre la butée, s'arrête pendant 2 secondes puis se déplace dans le sens de la **FERMETURE** jusqu'à atteindre la butée, et s'arrête.
6. Le vantail 1 se déplace dans le sens de la **FERMETURE** jusqu'à atteindre la butée, puis s'arrête.
7. La phase d'apprentissage standard est terminée. LL apparaît à l'écran et le panneau retourne en mode veille au bout de 3 secondes.



REMARQUE : dans l'application à moteur unique, les actions « Vantail 2 » ne sont pas utilisées.

Les paramètres suivants sont configurés durant le mode d'apprentissage standard :

1. Course entre les positions **ENTIÈREMENT FERMÉ** et **ENTIÈREMENT OUVERT**.
2. Force d'ouverture et de fermeture pour chaque moteur.
3. 15 % du déplacement total dans les deux directions sont attribués pour l'arrêt en douceur.
4. La temporisation du vantail en position d'ouverture et de fermeture est de 2 secondes. Si vous avez besoin de modifier la temporisation, allez dans les réglages avancés : temporisation moteur 2 (d0) et temporisation moteur 1 (dC).

7. PROGRAMMATION

Mode d'apprentissage avancé (réglage manuel de la position d'arrêt en douceur)

- Appuyez sur les boutons « + » et « - » et maintenez-les enfoncés pendant 2 secondes.
- Le processus d'apprentissage automatique démarre. LL va clignoter à l'écran durant tout le processus.
- Le vantail 2 se déplace dans le sens de la FERMETURE jusqu'à atteindre la butée, puis s'arrête.
- Le vantail 1 se déplace dans le sens de la FERMETURE jusqu'à atteindre la butée, puis s'arrête pendant 2 secondes.
- Le vantail 1 s'ouvre dans le sens de l'OUVERTURE à la vitesse définie par défaut.
- Pour définir le départ de l'arrêt en douceur du vantail 1 dans la direction de l'OUVERTURE, appuyez sur le bouton « P » au point de départ souhaité. Le vantail 1 continue de s'ouvrir jusqu'à atteindre la butée, s'arrête pendant 2 secondes puis repart en direction de la FERMETURE à la vitesse définie par défaut.
- Le vantail 2 se déplace dans le sens de l'OUVERTURE à la vitesse définie par défaut.
- Pour définir le départ de l'arrêt en douceur du vantail 2 dans la direction de l'OUVERTURE, appuyez sur le bouton « P » au point de départ souhaité. Le vantail 2 continue de s'ouvrir jusqu'à atteindre la butée, s'arrête pendant 2 secondes puis repart en direction de la FERMETURE à la vitesse définie par défaut.
- Pour définir le départ de l'arrêt en douceur du vantail 2 dans la direction de la FERMETURE, appuyez sur le bouton « P » au point de départ souhaité. Le vantail 2 continue de se fermer jusqu'à atteindre la butée, puis s'arrête.
- Le vantail 1 se déplace dans le sens de la FERMETURE à la vitesse définie par défaut.
- Pour définir le départ de l'arrêt en douceur du vantail 1 dans la direction de la FERMETURE, appuyez sur le bouton « P » au point de départ souhaité. Le vantail 1 continue de se fermer jusqu'à atteindre la butée, puis s'arrête.
- La phase d'apprentissage avancé est terminée. LL apparaît à l'écran et le panneau retourne en mode veille au bout de 3 secondes.

REMARQUE : dans l'application à moteur unique, les actions « Vantail 2 » ne sont pas utilisées.

Les paramètres suivants sont configurés durant le mode d'apprentissage avancé :

- Course entre les positions ENTièrement FERMÉ et ENTièrement OUVERT.
- Force d'ouverture et de fermeture pour chaque moteur.
- Positions de départ de l'arrêt en douceur.
- La temporisation du vantail en position d'ouverture et de fermeture est de 2 secondes. Si vous avez besoin de modifier la temporisation, allez dans les réglages avancés : temporisation moteur 2 (d0) et temporisation moteur 1 (dC).

REMARQUE : pour arrêter la phase d'apprentissage, appuyez sur le bouton « S ». Le processus d'apprentissage s'interrompt. « LE » clignote sur l'écran LED. Au bout de 5 secondes, « LL » apparaît à l'écran pour indiquer qu'il est possible de recommencer une phase d'apprentissage. Si le processus d'apprentissage n'a pas été terminé, il faut le recommencer depuis le début.

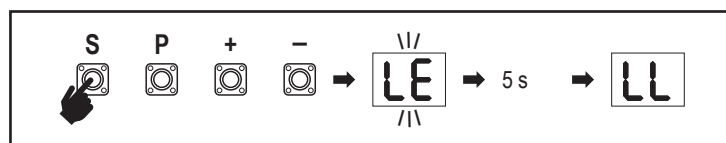
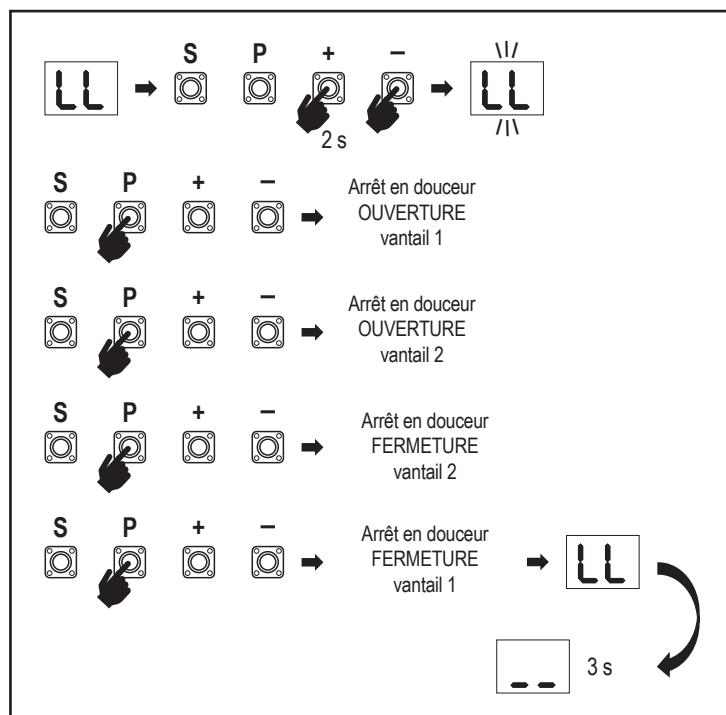
ATTENTION : la phase d'apprentissage doit être terminée pour permettre l'utilisation.

7.5 Mode veille

Une fois que le panneau de commande est en route et que la programmation est terminée, l'écran LED s'allume complètement pendant 2 secondes avant de se mettre en mode veille. Durant le mode veille, l'écran LED indique l'état actuel du portail.

	Deux moteurs (par défaut)	Un moteur
Le moteur s'ouvre, la partie supérieure de l'écran clignote.		
Le moteur s'arrête en position ouverte, la partie supérieure de l'écran est allumée.		
Le moteur se ferme, la partie inférieure de l'écran clignote.		
Le moteur s'arrête en position fermée, la partie inférieure de l'écran est allumée.		
Le moteur s'arrête au milieu, le milieu de l'écran est allumé.		

Les réglages de base sont maintenant terminés. Vous pouvez quitter la programmation et utiliser votre portail, ou passer aux réglages avancés.



7. PROGRAMMATION

7.6 Programmation et suppression des télécommandes, accessoires radio et appareils myQ

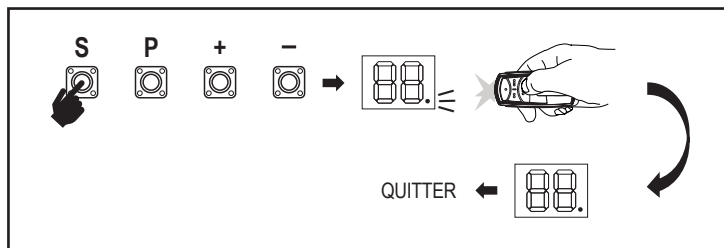
Programmer les appareils de commande à distance (émetteurs et commandes murales sans fil) :

REMARQUE : les télécommandes livrées avec l'automatisme sont déjà programmées en usine pour fonctionner avec l'automatisme (bouton en haut à côté de la LED) et ne nécessitent pas de programmation supplémentaire.

1. Appuyez sur le bouton « S » et relâchez-le. Un voyant LED s'allume à l'écran. L'automatisme reste en mode de programmation radio pendant 3 minutes. L'apprentissage de tout appareil radio accessoire peut être réalisé durant les 30 premières secondes. Seul l'apprentissage des appareils myQ peut être réalisé durant les 2,5 minutes restantes.
2. Choisissez le bouton nécessaire sur votre émetteur et maintenez-le enfoncé jusqu'à ce que le point à l'écran s'éteigne.

Pour programmer une nouvelle télécommande, répétez la séquence.

Pour programmer un clavier sans fil, veuillez suivre le manuel propre à l'accessoire.



Programmation de l'émetteur en ouverture partielle

Appuyez sur les boutons « S » et « + » en même temps et maintenez-les enfoncés jusqu'à ce que le voyant LED commence à clignoter. Appuyez sur le bouton libre souhaité de l'émissionneur et maintenez-le enfoncé pour programmer le mode d'ouverture partielle.

Le voyant LED s'éteint une fois la programmation terminée. Si une lumière est connectée au contacteur SPEC, elle clignote une fois.

Programmation de la passerelle myQ (828EV) :

1. Brancher

Branchez le câble Ethernet (1) fourni avec la passerelle au routeur (2). Utilisez la prise valable pour votre pays (pas tous les modèles). Branchez le secteur (3) à la passerelle internet (4). Une fois la passerelle internet connectée à internet, la lumière verte (5) arrête de clignoter et reste allumée de façon fixe. Un jeu d'IR branchés est nécessaire pour l'utilisation avec myQ.

2. Créer un compte

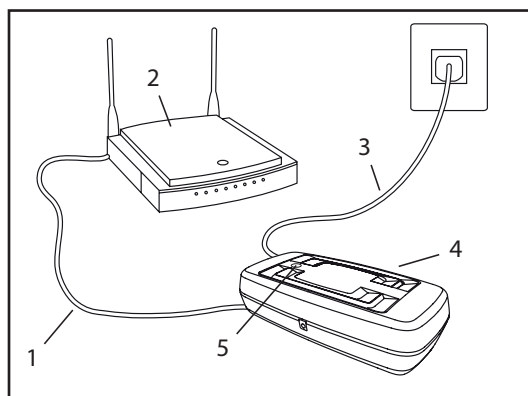
Téléchargez l'appli gratuite myQ depuis l'App Store ou le Google Play Store, et créez un compte. Si vous avez déjà un compte, utilisez votre nom d'utilisateur et votre mot de passe.

3. Enregistrer la passerelle internet

Entrez le numéro de série situé sous la passerelle internet lorsque vous y êtes invité.

4. Ajouter des appareils myQ

Pour ajouter votre automatisme de portail à la passerelle enregistrée, suivez les instructions dans l'application. Lorsque vous ajoutez un nouvel automatisme de portail compatible myQ, appuyez sur le bouton « S » du panneau de commande de l'automatisme, et relâchez-le. Un voyant LED s'allume à l'écran du panneau de commande.



Remarque : une fois que vous avez ajouté un appareil, la lumière bleue apparaît sur la passerelle internet et reste allumée. Appuyez sur le bouton « S » du panneau de commande de l'automatisme pour quitter le mode de programmation radio.

5. Tester

Une fois l'installation et l'enregistrement terminés, vous pouvez tester les fonctions suivantes : ouvrir ou fermer le portail, demander le statut PORTAIL OUVERT ou PORTAIL FERMÉ.

Pour plus de fonctions, reportez-vous à www.liftmaster.eu

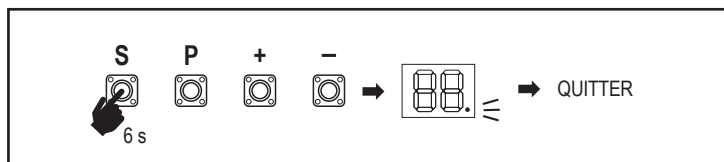
Supprimer des appareils à commande radio (émetteurs, commandes murales sans fil, claviers sans fil) :

Appuyez sur le bouton « S » et maintenez-le enfoncé pendant plus de 6 secondes. Tous les appareils à commande radio (émetteurs, commandes murales, claviers) sont supprimés. Le voyant LED de l'écran s'éteint. Remarque : il n'est pas possible de supprimer les appareils à commande radio un par un.

Supprimer les appareils myQ :

1. Supprimez tout d'abord les appareils à commande à distance comme indiqué ci-dessus.
2. Pendant les 6 secondes suivantes, appuyez sur le bouton « S » et maintenez-le enfoncé. Un voyant LED s'allume à l'écran.
3. Appuyez sur le bouton « S » et maintenez-le enfoncé pendant plus de 6 secondes. Tous les appareils myQ sont supprimés. Le voyant LED de l'écran s'éteint.

REMARQUE : il n'est pas possible de supprimer les appareils myQ un par un. Il n'est pas possible de supprimer uniquement les appareils myQ.



7. PROGRAMMATION

Vous allez maintenant commencer les réglages avancés.

7.7 Réglages avancés

LED		Fonction
	tr	Émetteur
	r1	Cellule photoélectrique IR1
	r2	Cellule photoélectrique IR2
	r3	Cellule photoélectrique IR3
	i1	Commande d'entrée 1
	i2	Commande d'entrée 2
	i3	Commande d'entrée 3
	Pd	Ouverture partielle moteur 1 uniquement
	d0	Temporisation moteur 2 dans le sens OUVERTURE
	dC	Temporisation moteur 1 dans le sens FERMETURE
	tC	Minuterie de fermeture (TTC - Timer To Close)
	rt	Temps d'inversion après impact
	EL	Verrou électronique
	rb	Moteur de décharge 1 pour verrou électronique

LED		Fonction
	FL	Lampe clignotante
	PF	Pré-clignotement
	SP	Contacteur spécial
	St	Vitesse de DÉMARRAGE pour OUVERTURE et FERMETURE
	Cn	Compteur de maintenance
	PS	Mot de passe
	F1	Force du moteur 1 en mode ouverture (protégé par mot de passe)
	F2	Force du moteur 1 en mode fermeture (protégé par mot de passe)
	F3	Force du moteur 2 en mode ouverture (protégé par mot de passe)
	F4	Force du moteur 2 en mode fermeture (protégé par mot de passe)
	S1	Vitesse des moteurs en mode OUVERTURE (protégé par mot de passe)
	S2	Vitesse des moteurs en mode FERMETURE (protégé par mot de passe)
	SF	Vitesse ARRÊT EN DOUCEUR en mode OUVERTURE et FERMETURE (protégé par mot de passe)
	Fd	Réglages d'usine
	FE	Terminer et quitter

7.7.2 Réglages de l'émetteur

La fonction de l'émetteur détermine la façon dont les commandes de l'émetteur fonctionnent.

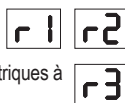


Remarque : avec les paramètres « 01 », « 02 » et « 03 », la minuterie TTC est écrasée par une commande de l'émetteur et FERME le portail.

Avec le paramètre « 04 », le compte à rebours de la minuterie TTC actif est réinitialisé par une commande de l'émetteur pour redémarrer.

	Mode résidentiel : Ouvrir - Fermer - Ouvrir
	Mode standard : Ouvrir - Arrêt - Fermer - Arrêt - Ouvrir (par défaut)
	Automatique avec mode arrêt : Ouvrir - Arrêt - Fermer - Ouvrir
	Mode parking : Ouvrir, jusqu'à la position Ouverture complète. Toute commande supplémentaire durant l'ouverture sera ignorée

7.7.3 Réglages des cellules photoélectriques à infrarouge



Les fonctions IR définissent le mode de fonctionnement des Cellules photoélectriques à infrarouge (IR).

Les IR apprennent automatiquement lorsqu'elles sont installées. Chacun des 3 jeux d'IR peut être programmé individuellement.

REMARQUE : en fonction des réglages choisis, les entrées d'ouverture partielle ou les commandes à distance ne seront pas exécutées dans les deux directions OUVERTURE ou FERMETURE si le faisceau IR est entravé. Si les IR sont supprimées, l'alimentation du panneau de commande doit être arrêtée/mise en route deux fois pour effacer l'apprentissage.

Pour le contrôle et la maintenance des cellules photoélectriques, reportez-vous au manuel des cellules photoélectriques.

	IR actif sur mouvement FERMETURE. Si le faisceau IR est entravé, le portail repart en position OUVERTURE complète (par défaut).
	IR actif sur mouvement OUVERTURE. Si le faisceau IR est entravé, le portail s'arrête. Une fois que l'obstacle disparaît, le portail continue de s'OUVRIR.
	IR actif sur mouvement OUVERTURE et FERMETURE. Si le faisceau IR est entravé sur le mouvement FERMETURE, le portail s'arrête et repart en position OUVERTURE complète une fois l'obstacle disparu. Si le faisceau IR est entravé sur le mouvement OUVERTURE, le portail s'arrête. Une fois que l'obstacle disparaît, le portail continue de s'OUVRIR.
	IR actif sur mouvement FERMETURE. Si le faisceau IR est entravé, le portail repart en position OUVERTURE complète. La fonction TTC activée sera écrasée 2 secondes après l'élimination de l'obstacle du faisceau et commencera le mouvement de FERMETURE sans attendre la fin de la minuterie TTC.

7.7.4 Réglages d'entrée



La fonction d'entrée définit la façon dont les commandes d'entrée des accessoires externes sont exécutées. Chacune des 3 entrées peut être programmée individuellement.

REMARQUE : avec les paramètres « 01 », « 02 » et « 03 », la minuterie TTC est écrasée par une commande d'entrée et FERME le portail. Avec le paramètre « 06 », le compte à rebours de la minuterie TTC actif est réinitialisé par une commande d'entrée pour redémarrer

7. PROGRAMMATION

01	Ouvrir - Fermer - Ouvrir
02	Ouvrir - Arrêt - Fermer - Arrêt - Ouvrir (par défaut)
03	Ouvrir - Arrêt - Fermer - Ouvrir
04	Ouverture partielle moteur 1 uniquement
05	ARRÊT (contacteur NC)
06	Ouvrir, jusqu'à la position OUVERTURE complète. Toute commande supplémentaire d'ouverture durant l'ouverture sera ignorée
07	Fermer, jusqu'à la position FERMETURE complète. Toute commande supplémentaire de fermeture durant la fermeture sera ignorée
08	Ouvrir - Arrêt - Ouvrir - Arrêt
09	Fermer - Arrêt - Fermer - Arrêt
10	Ouvrir, maintien de la pression
11	Fermer, maintien de la pression

7.7.5 Ouverture partielle moteur 1

Pd

L'ouverture partielle du moteur 1 vous donne la possibilité d'ouvrir uniquement le vantail actif à une valeur prédéfinie.

REMARQUE : la commande Pd fonctionne depuis la position Fermeture fin de course et durant le mouvement de fermeture. Si une commande Pd est exécutée à partir d'une position OUVERTURE complète, le portail se ferme.

Une commande d'ouverture ou d'émetteur écrase toujours la commande Pd.

01	Distance d'ouverture 50 %
02	Distance d'ouverture 75 % (par défaut)
03	Distance d'ouverture 100 %

- Appuyez sur les boutons « S » et « + » en même temps et maintenez-les enfoncés jusqu'à ce que le voyant LED commence à clignoter.
- Appuyez sur le bouton libre souhaité de l'émetteur et maintenez-le enfoncé pour programmer le mode d'ouverture partielle.
- Le voyant LED s'éteint une fois la programmation terminée. Si une lumière est connectée au contacteur SPEC, elle clignote une fois.

7.7.6 Temporisation moteur 2 dans le sens ouverture

JO

La fonction temporisation moteur 2 dans le sens OUVERTURE définit la temporisation pour le moteur 2 dans le sens OUVERTURE. Pas disponible pour l'application « moteur unique ». Pas exécutée durant l'inversion ou après une interruption de faisceau IR dans les deux sens.

00	pas de temporisation (les deux vantaux commencent à s'ouvrir en même temps)
01	1 seconde
02	2 secondes (par défaut)
03	3 secondes
04	4 secondes

7.7.7 Temporisation moteur 1 dans le sens fermeture

dc

La fonction temporisation moteur 1 dans le sens FERMETURE définit la temporisation pour le moteur 1 dans le sens FERMETURE. Pas disponible pour l'application « moteur unique ». Pas exécutée durant l'inversion ou après une interruption de faisceau IR dans les deux sens.

00	pas de temporisation (les deux vantaux démarrent en même temps)
01	1 seconde
02	2 secondes (par défaut)
...	... secondes
20	20 secondes

7.7.8 Minuterie de fermeture

tc

La fonction minuterie de fermeture (TTC) permet la fermeture automatique du portail à partir d'une position d'OUVERTURE complète au bout d'une période de temps prédéfinie. Au moins un jeu de cellules photoélectriques à infrarouge (IR) LiftMaster doit être installé pour surveiller le mouvement de fermeture afin de permettre le fonctionnement TTC. La TTC ne fonctionnera pas si les IR protègent uniquement le mouvement d'ouverture.

La TTC fonctionne également lorsque l'ouverture partielle est activée. Si la fonction TTC est active, la minuterie commence le compte à rebours et, si les faisceaux IR sont interrompus, la minuterie TTC redémarre.

00	TTC pas actif (par défaut)	05	1 minute
01	10 secondes	06	1,5 minute
02	20 secondes	07	2 minutes
03	30 secondes	08	3 minutes
04	45 secondes	09	5 minutes

7.7.9 Temps d'inversion après impact

rt

La fonction temps d'inversion après impact définit le comportement d'inversion après une obstruction par un obstacle durant un mouvement de fermeture ou d'ouverture. Ce comportement d'inversion est valable tant pour la détection de la force du moteur que pour l'application de butée de sécurité.

01	Inversion de 2 secondes et arrêt
02	Inversion pour retourner jusqu'à la position de fin de course (par défaut)
03	Durant le mouvement de fermeture, le portail repart en position Ouvert en cas d'impact. Durant le mouvement d'ouverture, le portail repart dans le sens inverse pendant 2 secondes en cas d'impact, puis s'arrête

7.7.10 Réglages verrou électronique/verrou magnétique

EL

La fonction verrou électronique définit le comportement verrou électronique/magnétique. Un verrou électronique ou magnétique 24 VDC - 500 mA peut être relié.

00	Verrou électronique/magnétique pas installé (par défaut)
01	Verrou électronique actif pendant 1 seconde avant le démarrage du moteur 1 dans le sens d'ouverture
02	Verrou électronique actif pendant 2 secondes avant le démarrage du moteur 1 dans le sens d'ouverture
03	Verrou magnétique, toujours actif lorsque le portail est FERMÉ ou toujours inactif durant le mouvement OUVERTURE et FERMETURE, lorsque le portail est OUVERT ou en position ARRÊT. Le verrou magnétique sera désactivé en mode batterie de secours.

7. PROGRAMMATION

7.7.10a Moteur de décharge 1 pour verrou électronique



La fonction moteur de décharge 1 pour verrou électronique permet de pousser brièvement le moteur 1 dans la direction de la FERMETURE avant d'activer le verrou électronique pour relâcher la pression excessive sur ce dernier.

Pas disponible si la fonction EL est réglée sur « 00 » ou « 03 » (verrou électronique non connecté/verrou magnétique connecté).

00	désactivé (par défaut)
01	activé 1 seconde
02	activé 2 secondes

7.7.11 Réglages lumière clignotante



La fonction lumière clignotante permet de sélectionner le type de lampe clignotante connectée. Une lampe clignotante 24 VDC - 500 mA max. (FLA1-LED) peut être connectée.

00	Pas de lampe clignotante installée (par défaut)
01	Alimentation 24 V continue - pour lampe clignotante avec panneau de commande propre (FLA1-LED)
02	Alimentation 24 V interrompue - pour lampe clignotante sans panneau de commande propre

7.7.11a Pré-clignotement



La fonction pré-clignotement définit l'intervalle de temps de pré-clignotement de la lampe clignotante avant le mouvement du portail. Fonction non active si la fonction lampe clignotante (FL) est réglée sur « 00 ».

00	Pas de pré-clignotement (par défaut)	03	3 secondes
01	1 seconde	04	4 secondes
02	2 secondes	05	5 secondes

7.7.15 Fonctions protégées par mot de passe et configuration

7.7.15a Configuration du mot de passe



La phase d'apprentissage doit être terminée et le mot de passe doit être configuré avant d'apporter des changements aux fonctions protégées par mot de passe, comme par exemple la force et la vitesse. Sélectionnez la fonction « PS » pour programmer le mot de passe.

REMARQUE : « 00 » ne peut pas être utilisé comme mot de passe. Il ne peut être utilisé que comme réglage par défaut.

Les fonctions protégées par mot de passe ne sont pas accessibles tant que le nouveau mot de passe n'est pas configuré.

Le mot de passe sera demandé pour changer les fonctions protégées après la configuration.

Définir un nouveau mot de passe :

- Sélectionnez la fonction « PS » et appuyez sur le bouton « P ».
- « 00 » clignote à l'écran.
- Utilisez les boutons « + » et « - » pour définir le nouveau mot de passe.
- Appuyez sur le bouton « P ».
- La valeur du nouveau mot de passe défini reste à l'écran pendant 2 secondes. Puis l'écran affiche « PS ».

Pensez à noter votre mot de passe à un endroit où vous pourrez le retrouver plus tard.

7.7.12 Réglages contacteur spécial



La fonction contacteur spécial définit le temps d'activation du relais.

Un relais 24 V 500 mA max. peut être connecté pour gérer d'autres appareils, par ex. un éclairage de courtoisie. Le temps réglé ici contrôle également le compte à rebours pour la lumière myQ à distance.

00	pas d'activation (par défaut)	05	1,5 minute
01	15 secondes	06	2 minutes
02	30 secondes	07	3 minutes
03	45 secondes	08	4 minutes
04	1 minute	09	5 minutes

7.7.13 Vitesse de démarrage dans les sens ouverture et fermeture



La fonction vitesse de démarrage permet d'allumer et d'éteindre le démarrage en douceur dans les sens OUVERTURE et FERMETURE.

00	désactivé (par défaut)
01	Démarrage en douceur actif : les moteurs accélèrent progressivement jusqu'à atteindre la vitesse normale.
02	Démarrage rapide actif : les moteurs démarrent à la vitesse habituelle et le capteur de force n'est pas pris en compte durant la première seconde.

7.7.14 Compteur de maintenance



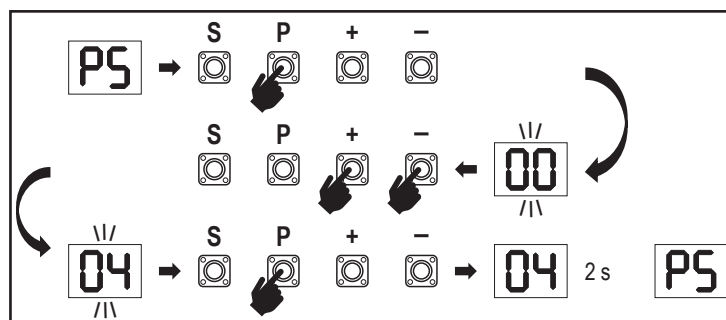
La fonction compteur de maintenance permet de régler l'intervalle de maintenance en cycles. Un pré-clignotement de la lampe clignotante de 4 secondes indique que l'intervalle est atteint. Si la fonction PF (pré-clignotement) est active, un pré-clignotement de 4 secondes est ajouté au temps réglé. Pour réinitialiser le compteur après la maintenance, il suffit de programmer les cycles une fois de plus.

00	pas de compteur (par défaut) cycles
01	1000 cycles	20	20 000 cycles
02	2000 cycles		

ATTENTION

Tout changement apporté aux fonctions protégées par mot de passe (force et vitesse) nécessite une vérification de la vitesse et de la force conformément à EN 12453, EN 60335-2-103.

00	Aucun mot de passe sélectionné (par défaut)
01 → 02 → → 99	Sélection disponible



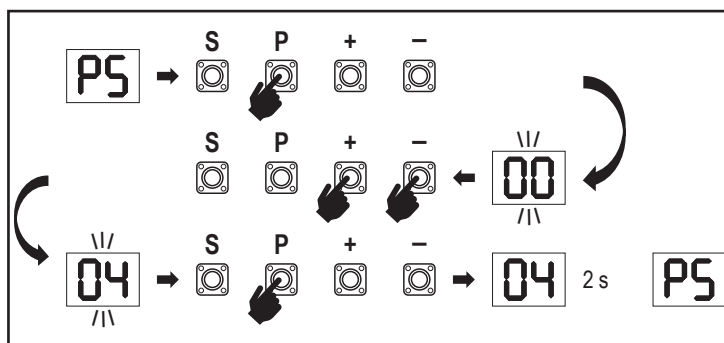
7. PROGRAMMATION

7.7.15b Utilisation du mot de passe

1. Sélectionnez la fonction « PS » et appuyez sur le bouton « P ».
2. « 00 » clignote à l'écran.
3. Utilisez les boutons « + » et « - » pour entrer le mot de passe correct et appuyez sur le bouton « P » pour confirmer.
4. Si le bon mot de passe est entré, l'écran affiche la valeur pendant 2 secondes avant d'afficher « P ».
5. Sélectionnez la fonction protégée à configurer.

REMARQUE : si le mot de passe saisi n'est pas correct, « 00 » clignote pendant 5 secondes avant d'afficher « PS ». Utilisez le mot de passe correct pour accéder aux fonctions protégées.

Attention : les réglages avancés protégés par mot de passe ne peuvent être réalisés que par un professionnel formé. Les exigences de l'UE : EN 12453, EN 13241 ; GB (UK, NI) : BS EN 12453, BS EN 13241 doivent être remplies.

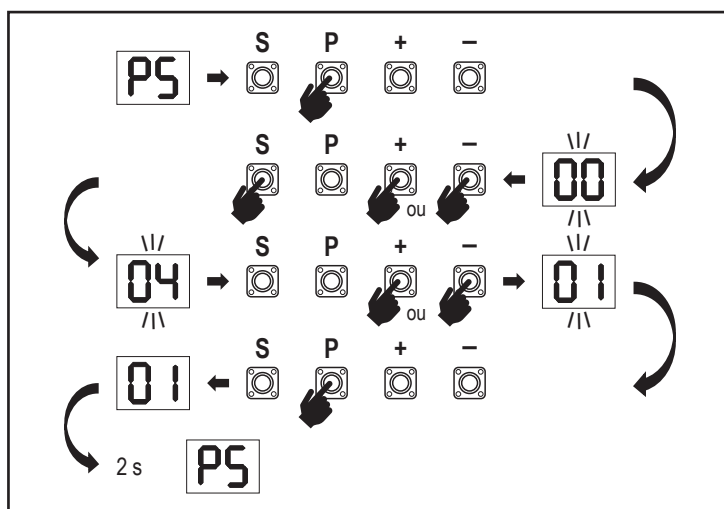


7.7.15c Changement de mot de passe

1. Sélectionnez la fonction « PS » et appuyez sur le bouton « P ».
2. « 00 » clignote à l'écran.
3. Utilisez les boutons « + » ou « - » pour saisir le mot de passe actuel et appuyez sur le bouton « S ». La valeur commence à clignoter.
4. Utilisez les boutons « + » ou « - » pour saisir le NOUVEAU mot de passe et appuyez sur le bouton « P ».
5. La valeur du nouveau de mot de passe modifié reste à l'écran pendant 2 secondes. Puis l'écran affiche « PS ».

REMARQUE : si le mauvais mot de passe (actuel) a été saisi, « 00 » clignote pendant 5 secondes avant d'afficher « PS ». Le mot de passe n'est pas modifié.

Si le mot de passe est perdu, utilisez la fonction réglages d'usine (Fd) pour retourner aux réglages par défaut. Tous les paramètres (sauf la mémoire radio) seront supprimés. Voir page 18.



7.7.15d Force des moteurs 1 et 2 dans les sens ouverture et fermeture

F1

Force moteur 1 dans le sens OUVERTURE

La force du moteur 1 dans le sens OUVERTURE permet de régler la force en plus de la force définie durant la phase d'apprentissage. Le mot de passe doit être saisi pour accéder à cette fonction.

00	Force normale (par défaut)	02	+30 %
01	+15 %	03	+50 %

Force moteur 1 dans le sens FERMETURE

F2

La force du moteur 1 dans le sens FERMETURE permet de régler la force en plus de la force définie durant la phase d'apprentissage. Le mot de passe doit être saisi pour accéder à cette fonction.

00	Force normale (par défaut)	02	+30 %
01	+15 %	03	+50 %

Force moteur 2 dans le sens OUVERTURE

F3

La force du moteur 2 dans le sens OUVERTURE permet de régler la force en plus de la force définie durant la phase d'apprentissage. Le mot de passe doit être saisi pour accéder à cette fonction.

00	Force normale (par défaut)	02	+30 %
01	+15 %	03	+50 %

Force moteur 2 dans le sens FERMETURE

F4

La force du moteur 2 dans le sens FERMETURE permet de régler la force en plus de la force définie durant la phase d'apprentissage. Le mot de passe doit être saisi pour accéder à cette fonction.

00	Force normale (par défaut)	02	+30 %
01	+15 %	03	+50 %

7.7.15e Vitesse des moteurs 1 et 2 dans les sens ouverture et fermeture

S1

Vitesse des moteurs 1 et 2 dans le sens OUVERTURE

La vitesse des moteurs 1 et 2 dans le sens OUVERTURE permet de régler la vitesse d'ouverture par rapport à la vitesse définie durant la phase d'apprentissage. Le mot de passe doit être saisi pour accéder à cette fonction.

00	Vitesse normale (par défaut)	04	+50 %
01	+10 %	05	-10 %
02	+20 %	06	-20 %
03	+30 %		

7. PROGRAMMATION

Vitesse moteurs 1 & 2 dans le sens FERMETURE

52

La vitesse des moteurs 1 et 2 dans le sens FERMETURE permet de régler la vitesse de fermeture par rapport à la vitesse définie durant la phase d'apprentissage. Le mot de passe doit être saisi pour accéder à cette fonction.

00	Vitesse normale (par défaut)	04	+50 %
01	+10 %	05	-10 %
02	+20 %	06	-20 %
03	+30 %		

7.7.15f Vitesse arrêt en douceur

SF

La fonction vitesse arrêt en douceur permet de régler la vitesse de l'arrêt en douceur par rapport aux valeurs par défaut définies durant la phase d'apprentissage. La vitesse arrêt en douceur correspond à 50 % de la vitesse normale réglée par défaut. Toute modification de la vitesse normale a un impact sur la vitesse arrêt en douceur.

Le mot de passe doit être saisi pour accéder à cette fonction.

00	Vitesse normale (par défaut)	04	-50 %
01	-10 %	05	+10 %
02	-20 %	06	+20 %
03	-30 %		

7.8 Réglages d'usine

Fd

La fonction réglages d'usine réinitialise le panneau de commande aux paramètres d'usine originaux. Tous les paramètres, y compris les paramètres de fin de course, sont supprimés. L'écran LED affiche « E0 ». Les télécommandes programmées conservent les paramètres appris. Si les accessoires de commande à distance doivent être supprimés, référez-vous à la section Programmation des commandes radio du présent manuel.

00	pas de réinitialisation (par défaut)
01	réinitialisation aux réglages d'usine

7.9 Terminer et quitter

FE

Pour quitter la phase de programmation et sauvegarder tous les changements, sélectionnez la fonction FE et appuyez sur le bouton « P ». Le panneau de commande se met en mode veille et est prêt à fonctionner.

Il y a aussi d'autres façons de quitter la programmation et de sauvegarder les paramètres :

- Appuyez sur le bouton « P » et maintenez-le enfoncé pendant 5 secondes
- Attendez 3 minutes après les derniers changements de programmation pour quitter automatiquement

8. BATTERIE DE SECOURS

Mode batterie de secours

BU

2 batteries au plomb 12 V, 2,2 Ah SKU 490EV (en option, pas incluses) peuvent être montées en option à l'intérieur du boîtier électronique. Suivez le manuel de SKU 490EV pour connaître la procédure d'installation exacte. Une lampe clignotante (si installée) clignote pendant 2 secondes toutes les 10 minutes pour indiquer le mode BBU et la perte de puissance. Le panneau de commande passe en mode veille et le récepteur radio actif n'accepte que les commandes des appareils commandés par radio. Tous les autres accessoires et appareils périphériques ne fonctionnent pas.

En mode batterie de secours, la commande myQ par smartphone et les appareils sans fil myQ sont désactivés. La capacité de la batterie entièrement chargée correspond à environ 20 cycles pour une moyenne de 2 par heure. Au bout de 24 heures de mode BBU, la batterie fournit de la puissance pour 1 cycle complet d'ouverture et de fermeture. Veuillez noter que seule la batterie spécifiée peut être utilisée. L'utilisation d'une autre batterie entraîne la perte des droits à la garantie auprès de LiftMaster pour tout dommage résultant de l'utilisation de ces batteries non conformes.

9. CODES D'ERREUR

LED	Code d'erreur	Problème	Raison possible	Solution
E0	E0	Lorsqu'on appuie sur l'émetteur, le portail ne se déplace pas	AP est sur 00	Vérifier si AP est sur 00. Si c'est le cas, entrer la valeur d'application correcte.
E1	E1	Le portail ne se ferme pas mais s'ouvre.	1) L'IR1 n'est pas branchée, ou le fil est coupé. 2) Le fil de l'IR1 est coupé ou connecté à l'envers. 3) L'IR1 n'est pas alignée ou est bloquée pendant un moment.	1) Vérifier si l'IR1 n'est pas branchée ou si le fil est coupé. 2) Vérifier le branchement de l'IR1, changer les fils si nécessaire. 3) Aligner l'émetteur et le récepteur IR pour s'assurer que les deux LED sont allumées au lieu de clignoter. S'assurer que rien ne pend sur le portail qui pourrait entraver l'IR.
E2	E2	Le portail se ferme lorsqu'il est en bout de course d'ouverture, mais ne s'ouvre pas lorsqu'il est en bout de course de fermeture.	1) L'IR2 n'est pas branchée, ou le fil est coupé. 2) Le fil de l'IR2 est coupé ou connecté à l'envers. 3) L'IR2 n'est pas alignée ou est bloquée pendant un moment.	1) Vérifier si l'IR2 n'est pas branchée ou si le fil est coupé. 2) Vérifier le branchement de l'IR2, changer les fils si nécessaire. 3) Aligner l'émetteur et le récepteur IR pour s'assurer que les deux LED sont allumées au lieu de clignoter. S'assurer que rien n'entrave l'IR.
E3	E3	Lorsqu'on appuie sur l'émetteur, le portail ne se déplace pas.	1) L'IR3 n'est pas branchée, ou le fil est coupé. 2) Le fil de l'IR3 est coupé ou connecté à l'envers. 3) L'IR3 n'est pas alignée ou est bloquée pendant un moment.	1) Vérifier si l'IR3 n'est pas branchée ou si le fil est coupé. 2) Vérifier le branchement de l'IR3, changer les fils si nécessaire. 3) Aligner l'émetteur et le récepteur IR pour s'assurer que les deux LED sont allumées au lieu de clignoter. S'assurer que rien ne pend sur le portail qui pourrait entraver ponctuellement l'IR.
E4	E4	Lorsqu'on appuie sur l'émetteur, le portail ne se déplace pas.	1) La butée de sécurité n'est pas connectée à la résistance 8,2 kOhm. 2) Le fil de la butée de sécurité est coupé. 3) La butée de sécurité est écrasée.	1) Vérifier si la butée de sécurité 8,2 kOhm est correctement connectée ou si la résistance 8,2 kOhm est installée. 2) Vérifier les fils de la butée de sécurité et les remplacer si nécessaire. 3) Vérifier si la butée de sécurité est écrasée.

9. CODES D'ERREUR

LED	Code d'erreur	Problème	Raison possible	Solution
E5	E5	Lorsqu'on appuie sur l'émetteur, le portail ne se déplace pas.	1) L'interrupteur d'ARRÊT est ouvert. 2) L'interrupteur d'ARRÊT n'est pas connecté.	1) Vérifier si l'interrupteur d'ARRÊT est ouvert ou endommagé. 2) Vérifier si l'interrupteur d'ARRÊT est déconnecté. Si c'est le cas, reconnecter l'interrupteur d'ARRÊT ou modifier le réglage d'entrée concerné.
E7	E7	Lorsqu'on appuie sur l'émetteur, le portail ne se déplace pas.	L'amplification du panneau de commande pour le moteur 1 a échoué.	Couper l'alimentation pendant 20 secondes et réinitialiser pour vérifier si le panneau de commande se remet en marche. Si ce n'est pas le cas, remplacer le panneau de commande.
E8	E8	Lorsqu'on appuie sur l'émetteur, le portail ne se déplace pas.	L'amplification du panneau de commande pour le moteur 2 a échoué.	Couper l'alimentation pendant 20 secondes et réinitialiser pour vérifier si le panneau de commande se remet en marche. Si ce n'est pas le cas, remplacer le panneau de commande.
E9	E9	Lorsqu'on appuie sur l'émetteur, le portail ne se déplace pas.	Erreur de mémoire du panneau de commande.	Couper l'alimentation pendant 20 secondes et réinitialiser pour vérifier si le panneau de commande se remet en marche. Si ce n'est pas le cas, remplacer le panneau de commande.
F1	F1	Arrêt et inversion du moteur 1 durant l'ouverture ou la fermeture.	Le moteur 1 est bloqué.	Vérifier et retirer l'obstacle. Nettoyer le portail.
F2	F2	Arrêt et inversion du moteur 2 durant l'ouverture ou la fermeture.	Le moteur 2 est bloqué.	Vérifier et retirer l'obstacle. Nettoyer le portail.
F3	F3	Arrêt et inversion du moteur 1 durant l'ouverture ou la fermeture.	Le moteur 1 cale ou le capteur de vitesse est endommagé.	Vérifier si le moteur 1 a calé ou si le capteur de vitesse est endommagé.
F4	F4	Arrêt et inversion du moteur 2 durant l'ouverture ou la fermeture.	Le moteur 2 cale ou le capteur de vitesse est endommagé.	Vérifier si le moteur 2 a calé ou si le capteur de vitesse est endommagé.
F5	F5	Lorsqu'on appuie sur l'émetteur, le moteur ne réagit pas.	Le module radio a échoué.	Couper l'alimentation pendant 20 secondes et réinitialiser pour vérifier si le panneau de commande se remet en marche. Si ce n'est pas le cas, remplacer le panneau de commande.
F6	F6	Le portail s'inverse durant la fermeture.	Batterie déchargée.	Charger la batterie.
F7	F7	Lorsqu'on appuie sur l'émetteur, le portail ne se déplace pas.	Panneau de commande endommagé.	Couper l'alimentation pendant 20 secondes et réinitialiser pour vérifier si le panneau de commande se remet en marche. Si ce n'est pas le cas, remplacer le panneau de commande.
F9	F9	Lorsqu'on appuie sur l'émetteur ou le bouton poussoir, le moteur ne réagit pas.	Le menu AP est réinitialisé aux réglages d'usine.	Réapprendre les fins de course.
LE	LE	Le moteur s'arrête de façon soudaine.	Appuyer sur C durant l'apprentissage des fins de course.	Réapprendre les fins de course.

10. DONNÉES TECHNIQUES

		AA250EVK	AA250EVK	
Tension d'entrée	VAC	220-240	Puissance des accessoires externes	24 VDC - max. 500 mA
Fréquence d'entrée	Hz	50/60	Connecteur lampe clignotante	24 VDC - max. 500 mA
Tension du moteur	VDC	24 V	Connecteur verrou électronique/magnétique	24 VDC - max. 500 mA
Consommation en veille (sans accessoires)	W	3,2	Relais externe	24 VDC - max. 500 mA
Puissance nominale du moteur	W	100 W (AA250-24P) 50 W (AA250-24S)	Butée de sécurité	8,2 kOhm
Charge nominale	Nm	72,4	Nombre max. d'IR	3
Couple maximal	Nm	200	Nombre max. d'entrées externes	3
Cycles par heure		10	Unité de batterie de secours	2 batteries 12 V, 2,2 Ah modèle 490EV
Cycles max. par jour		30	Indice de protection du moteur	IP 44
Largeur/poids max. des vantaux	m / kg	1,5m / 250kg	Niveau sonore	dB < 70 db(A)
		2,0m / 200kg	Température de service	°C de -20 °C à +55 °C
		2,5m / 150kg	Poids (kit)	kg 20
Angle d'ouverture max.		120°	Fréquence de l'émetteur	TX4EVF 868 MHz (868.30 MHz, 868.95 MHz, 869.85 MHz)
Durée jusqu'à l'ouverture à 90°	s	13-15		
Système de fin de course		Encodeur avec butées	Batterie	CR2032 3V
Fréquence radio de fonctionnement	MHz	RX 433 MHz (433.30 MHz, 433.92 MHz, 434.54 MHz) RX 868 MHz (868.30 MHz, 868.95 MHz, 869.85 MHz) TX 865.125 MHz, 865.829 MHz, 866.587 MHz		
Puissance d'émission		<10 mW		
Code		Security +2.0		
Nombre max. de télécommandes		180		
Nombre max. de claviers		4		
Nombre max. d'appareils myQ		16		

11. MAINTENANCE

Remplacer les piles dans la télécommande

Piles de la télécommande :

Les piles de la télécommande ont une durée de vie très longue. Si la portée d'émission diminue, il faut les remplacer. Les piles ne sont pas couvertes par la garantie.

Veillez respecter les instructions suivantes pour les piles :

Les piles ne doivent pas être traitées comme des déchets ménagers. La loi exige de tous les consommateurs qu'ils éliminent les piles de façon correcte aux points de collecte désignés. Il ne faut jamais recharger des piles qui ne sont pas conçues pour l'être.

Risque d'explosion !

Maintenez les piles hors de la portée des enfants, ne créez pas de court-circuits entre elles et ne les démontez pas. En cas d'ingestion d'une pile, consultez immédiatement un médecin. Si nécessaire, nettoyez les contacts des piles et des appareils avant de les charger. Retirez immédiatement les batteries déchargées de l'appareil !

Risque accru de fuite !

N'exposez jamais les piles à une chaleur extrême comme le rayonnement du soleil, le feu ou une autre source de chaleur !

Risque accru de fuite !

Évitez tout contact avec la peau, les yeux et la bouche. Rincez les pièces contaminées par l'acide de la pile à l'eau froide abondante et consultez immédiatement un médecin. Utilisez uniquement des piles de type identique. Retirez les piles si l'appareil n'est pas utilisé pendant une longue période.

Remplacer la pile :

Pour remplacer la pile, retournez la télécommande et ouvrez le boîtier à l'aide d'un tournevis. Soulevez le couvercle ainsi que le panneau de commande en dessous. Faites glisser la pile vers le côté et retirez-la. Faites attention à la polarité de la pile ! Remontez le tout en sens inverse.

ATTENTION !

Si la batterie est remise de façon incorrecte, cela peut entraîner une explosion. Remplacement uniquement par un type identique ou équivalent (CR2032) 3 V.

PRUDENCE

L'utilisation du mauvais type de pile entraîne un risque d'explosion.

Ne pas avaler la pile, risque de brûlure chimique.

Ce produit contient une pile bouton. En cas d'ingestion, les piles peuvent entraîner des blessures ou même la mort.

AVERTISSEMENT

- Gardez les piles hors de vue et hors de portée des enfants ; les piles au lithium/piles bouton peuvent être une source de danger pour les plus petits.
- Jetez immédiatement vos piles boutons usagées. N'utilisez pas de piles défectueuses ou ayant été ingérées.
- Vérifiez régulièrement si les compartiments de la pile sont bien fixés, n'utilisez plus l'appareil s'ils sont défectueux.
- Consultez immédiatement un médecin si une pile a été avalée ou introduite dans une autre partie du corps.



Mécanisme d'entraînement

Le mécanisme d'entraînement ne nécessite pas de maintenance. Vérifiez à intervalles réguliers (tous les mois) que le portail et le mécanisme d'entraînement sont attachés de façon sûre. Déclenchez l'entraînement et vérifiez que le portail fonctionne correctement. Si le portail ne se déplace pas sans encombre, il ne fonctionnera pas correctement avec le mécanisme d'entraînement. L'entraînement ne peut pas éliminer les problèmes liés à un portail qui ne fonctionne pas correctement.


Réglage de l'interrupteur de fin de course et de la force


Ces réglages doivent être vérifiés et réalisés correctement durant l'installation du dispositif d'ouverture ! À cause des intempéries, de petits changements peuvent se produire durant le fonctionnement du dispositif d'ouverture, auxquels il faut remédier grâce à un nouveau réglage. Cela peut notamment se produire durant la première année d'utilisation. Suivez attentivement les instructions pour définir les limites de déplacement et la force (référez-vous à la section Phase d'apprentissage des limites, pages 11 et 12) et vérifiez l'inversion de sécurité automatique après chaque réglage !

Démontage

Consigne IMPORTANTE ! Suivez les consignes de sécurité. Voir « Instructions de sécurité » (pages 2 et 3). La procédure décrite dans la section « installation », en sens inverse. Ne tenez pas compte des instructions de configuration.

12. ÉLIMINATION

 Nos équipements électriques et électroniques ne doivent pas être éliminés avec les déchets ménagers ; après utilisation, ils doivent être éliminés en conformité avec la directive DEEE de l'UE : 2012/19/EU ; GB UK(NI) : SI 2012 No. 19 sur les déchets d'équipements électriques et électroniques afin de garantir le recyclage des matériaux. La collecte séparée des déchets d'équipements électriques signifie leur élimination écologique, et est complètement gratuite pour le consommateur. N° d'enregistrement DEEE en Allemagne : DE66256568. Tout déchet d'emballage laissé au consommateur final doit être collecté séparément des déchets mixtes, en conformité avec la directive. L'emballage ne doit pas être éliminé avec les déchets ménagers, ni avec les déchets organiques ou dans la nature. Les matériaux d'emballage doivent être triés conformément à leur type et éliminés dans les containers de recyclage fournis, ou dans des poubelles vertes suivant les endroits.

 Nos piles sont mises sur le marché dans le respect de la conformité légale. La poubelle barrée indique que les piles ne doivent pas être éliminées avec les déchets ménagers. Piles incluses dans le produit (données techniques). Afin d'éviter de polluer l'environnement ou de causer des dommages à la santé publique, les piles doivent être rapportées pour une élimination réglementée dans des points de recyclage locaux ou auprès de commerces de détail, comme stipulé par la loi. Les piles ne doivent être apportées pour être éliminées qu'une fois qu'elles sont entièrement déchargées et, dans le cas des piles au lithium, avec les terminaux recouverts d'un ruban adhésif. Les piles peuvent être facilement retirées de nos appareils pour en faciliter l'élimination. Numéro d'enregistrement en Allemagne : 21002670.

13. GARANTIE

Vos droits statutaires ne sont pas remis en cause par cette garantie du fabricant. Veuillez consulter www.liftmaster.eu pour connaître les conditions de la garantie.

14. DÉCLARATION DE CONFORMITÉ

Le manuel est composé des présentes instructions de fonctionnement et de la déclaration de conformité.

L'équipement radio de type (TX4EVF) est conforme à la directive 2014/53/UE et, pour le Royaume-Uni, à la Radio Equipment Regulation SI 2017 No. 1209.

Le texte complet de la déclaration de conformité CE est disponible sur le site web suivant : <https://doc.chamberlain.de>

INHOUDSOPGAVE

OPMERKING:De originele installatie- en bedieningsinstructies zijn opgesteld in het Engels. Elke andere beschikbare taal is een vertaling van de originele Engelse versie.

1. VEILIGHEIDSIINSTRUCTIES EN BEOOGD GEBRUIK	2
2. LEVERINGSOMVANG	4
3. TOOLS DIE NODIG ZIJN	4
4. OVERZICHT VAN POORTAANDRIJVING	4
5. MECHANISCHE INSTALLATIE	5
5.1 AFMETINGEN VAN POORT EN AANDRIJVING	5
5.2 Bepaal de positie van de paalbeugel	5
5.3 Paalbeugel installatie	6
5.4 Montage van de aandrijving en aanpassing van de slagafstand	6
5.5 Noodontgrendelingsmechanisme	8
5.6 Installatie van het bedieningspaneel en bedrading van de motor	8
5.7 Voedingsbedrading	8
6. BEDRADINGSSCHEMA	9
7. PROGRAMMERING	10
7.1 Display, programmeerknoppen en functie-instelling	10
7.2 Algemeen programmeringsoverzicht	10
7.3 Vleugelbeweging Richting	11
7.4 Basisinstellingen	11
7.4.1 Applicatie-instellingen	11
7.4.2 Richting motor 1 instellingen	11
7.4.3 Richting motor 2 instellingen	11
7.4.4 Beperkt leren	11
7.5 Stand-by modus	12
7.6 Programmeren en wissen van afstandsbedieningen, radioaccessoires en myQ-apparaten	13
7.7 Geavanceerde instellingen	14
7.7.1 Overzicht geavanceerde instellingen	14
7.7.2 Zenderinstellingen	14
7.7.3 Infrarood fotocellen Instellingen	14
7.7.4 Invoerinstellingen	14
7.7.5 Gedeeltelijke opening motor 1	15
7.7.6 Vertraging motor 2 in de richting openen	15
7.7.7 Vertraging motor 1 in de richting sluiten	15
7.7.8 Timer om te sluiten	15
7.7.9 Omkeertijd na impact	15
7.7.10 E-vergrendeling/Magnetische vergrendeling instellingen	15
7.7.10a Ontlasten motor 1 voor E-vergrendeling	16
7.7.11 Knipperlicht instellingen	16
7.7.11a Vooraf knipperen	16
7.7.12 Speciale contactinstellingen	16
7.7.13 Startsnelheid in open en gesloten richtingen	16
7.7.14 Onderhoudsteller	16
7.7.15 Met wachtwoord beveiligde functies en instellingen	16
7.7.15a Wachtwoordinstellingen	16
7.7.15b Wachtwoordgebruik	17
7.7.15c Wachtwoord wijzigen	17
7.7.15d Kracht motoren 1 en 2 in de richtingen openen en sluiten	17
7.7.15e Snelheid motoren 1 en 2 in de richtingen openen en sluiten	17
7.7.15f Soft-stopsnelheid	18
7.8 Standaard fabrieksinstellingen	18
7.9 Beëindigen en verlaten	18
8. BATTERIJBACK-UP	18
9. FOUTCODES	18
10. TECHNISCHE GEGEVENS	19
11. ONDERHOUD	20
12. AFVOEREN	20
13. GARANTIE	20
14. CONFORMITEITSVERKLARING	20

1. VEILIGHEIDSINSTRUCTIES EN BEOOGD GEBRUIK

Over deze handleiding - originele handleiding

Deze instructies zijn de originele bedieningsinstructies volgens de machinerichtlijn 2006/42 EC. De instructiehandleiding moet zorgvuldig worden gelezen om belangrijke productinformatie te begrijpen. Let op de veiligheids- en waarschuwingaanwijzingen. Bewaar de handleiding op een veilige plaats zodat u ze later kunt raadplegen en zodat iedereen ze kan raadplegen voor inspectie, service, onderhoud en reparatie. Geef na de installatie de volledige documentatie aan de verantwoordelijke persoon/eigenaar.

Kwalificatie van een bevoegd installateur

Alleen een correcte installatie en onderhoud door een bevoegd installateur (specialist)/bevoegd bedrijf, in overeenstemming met de instructies, moet de veilige en bedoelde werking van de installatie begrijpen en garanderen. Een specialist is een persoon die op grond van zijn technische opleiding en ervaring voldoende kennis heeft op het gebied van automatische poorten en die bovendien vertrouwd is met de desbetreffende nationale voorschriften inzake arbeidsveiligheid en met de algemeen aanvaarde regels van de techniek, en wel in zodanige mate dat hij ook in staat is de veilige werking van automatische poorten te beoordelen in overeenstemming met EN 13241, 12604, 12453 (EN12635)

De installateur moet het volgende begrijpen:

Voordat de aandrijving wordt geïnstalleerd, moet worden gecontroleerd of het aangedreven gedeelte in goede mechanische staat verkeert, goed opent en sluit en indien van toepassing, juist is uitgebalanceerd

Voor het eerste gebruik en ten minste jaarlijks moet een specialist de veilige staat van automatische poorten controleren. Na de installatie moet de installateur ervoor zorgen dat het mechanisme juist is afgesteld en dat het beveiligingssysteem en de eventuele handmatige release functie juist functioneren (EN 13241, EN12604, EN 12453, EN 12635). Een regelmatig onderhoud, inspectie moet worden uitgevoerd volgens de normen. De installateur moet andere gebruikers instrueren over de veilige bediening van het aandrijfsysteem.

Na succesvolle installatie van het aandrijfsysteem moet de verantwoordelijke installateur, in overeenstemming met de machinerichtlijn 2006/42/EG: conformiteitsverklaring voor het poortstelsel verdelan. De CE markeringslabel moet aan het poortstelsel worden bevestigd. Dit is ook verplicht bij het installatieproces achteraf van een handmatig bediende poort. Verder moeten een overdrachtspakket en een inspectieboek worden ingevuld.

Lees de bedieningsinstructies en vooral de voorzorgsmaatregelen. De volgende symbolen worden voor instructies geplaatst om persoonlijk letsel of schade aan eigendommen te voorkomen. Lees deze instructies zorgvuldig.

Waarschuwingssymbolen

Het algemene waarschuwingssymbool wijst op een gevaar dat kan leiden tot letsel of de dood. In het tekstgedeelte worden de algemene waarschuwingssymbolen gebruikt zoals hieronder beschreven.

GEVAARsymbool	WAARSCHUWINGssymbool	VOORZICHTIGHEIDssymbool	AANDACHTsymbool
 GEVAAR	 WAARSCHUWING	 VOORZICHTIGHEID	AANDACHT
Duidt op een gevaar dat direct leidt tot de dood of ernstige letsels.	Duidt op een gevaar dat kan leiden tot de dood of ernstige letsels.	Duidt op een gevaar dat kan leiden tot beschadiging of vernietiging van het product.	Duidt op een gevaar dat kan leiden tot beschadiging of vernietiging van het product.

Beoogd gebruik

De draaipootaandrijving is uitsluitend ontworpen en getest voor de bediening van soepel lopende draaipoorten in de residentiële, niet-commerciële sector.

Specificaties voor poorten zijn gedefinieerd onder mechanische vereisten conform EN12604.

De maximaal toelaatbare poortgrootte en het maximum gewicht mogen niet worden overschreden. De poort moet soepel met de hand openen en sluiten. Gebruik de aandrijving op poorten die voldoen aan de geldende normen en richtlijnen. Bij het gebruik van deur- of poortpanelen moet rekening worden gehouden met de regionale omstandigheden inzake windbelasting EN13241. Neem de specificaties van de fabrikant in acht voor de combinatie van deur en aandrijving. Mogelijke gevaren in de zin van de EN13241 moeten worden vermeden door de deur/poort te ontwerpen en te installeren volgens de relevante instructies. Dit poortmechanisme moet worden geïnstalleerd en aangedreven in overeenstemming met de geldende veiligheidsvoorschriften.

Oneigenlijk gebruik

Het is niet bedoeld voor continu aandrijving en gebruik in een commerciële toepassing.

De constructie van het aandrijfsysteem is niet ontworpen voor de aandrijving van poorten buiten de specificaties van de fabrikant.

Het is niet toegestaan op poorten die bewegen met stijging/daling.

Elk onjuist gebruik van het aandrijfsysteem kan het risico op ongevallen vergroten. De fabrikant aanvaardt geen aansprakelijkheid voor dergelijk gebruik. Met deze aandrijving moeten automatische poorten voldoen aan de momenteel geldende internationale en landspecifieke/lokale normen, richtlijnen en voorschriften (EN 13241, EN12604, EN 12453).

Alleen LiftMaster en goedgekeurde accessoires mogen op de aandrijving worden aangesloten. Onjuiste installatie en/of het niet in acht nemen van de volgende instructies kan leiden tot ernstig persoonlijk letsel of beschadiging van eigendommen.

Poortsystemen die zich in openbare ruimten bevinden en alleen krachtbegrenzing hebben, kunnen alleen onder volledig toezicht worden bediend.

Aanvullende veiligheidsvoorzieningen moeten worden overwogen in overeenstemming met de EN 12453.

1. VEILIGHEIDSINSTRUCTIES EN BEOOGD GEBRUIK

Tijdens de werking mag de poort in geen geval de openbare paden en wegen (openbaar gebied) hinderen.

Wees voorzichtig bij het gebruik van gereedschap en kleine onderdelen voor het installeren of uitvoeren van reparaties aan een poort en draag geen ringen, horloges of losse kleding.

Om ernstig lichamelijk letsel als gevolg van beknelling te voorkomen, moet elke op de poort gemonteerde vergrendeling worden verwijderd om schade aan de poort te voorkomen.

Installatie en bedrading moeten in overeenstemming zijn met de lokale bouw- en elektrische installatievoorschriften. Voedingskabels mogen alleen worden aangesloten op een juist geaarde voeding.

Schakel de elektrische stroom naar het systeem uit vóór installatie, onderhoud, reparaties of het verwijderen van afdekkingen. De netvoeding (permanent bedrade installatie) moet worden voorzien van een uitschakelinrichting die een alpolige uitschakeling garandeert (scheidingsschakelaar of afzonderlijke zekering). De reparaties en elektrische installaties mogen uitsluitend worden uitgevoerd door een erkende electricien. De noodstopknop moet geïnstalleerd worden voor noodgevallen op basis van de risicobeoordeling.

Zorg ervoor dat beknelling tussen het aangedreven deel en de omringende vaste delen als gevolg van de openingsbeweging van het aangedreven deel wordt voorkomen door de opgegeven veiligheidsafstanden overeenkomstig de EN 13241, EN12604, EN 12453, EN 12635 en/of met veiligheidsvoorzieningen (bijv. sluitkantbeveiliging) in acht te nemen.

Aanbevolen wordt de veiligheidsfunctie van het aandrijfsysteem ten minste eenmaal per maand te testen. Raadpleeg ook de instructies van de fabrikant van de componenten van het poortsysteem.

Na de installatie moet een finale test van de volledige werking van het systeem en van de veiligheidsvoorzieningen worden uitgevoerd en moeten alle gebruikers worden geïnstrueerd over de werking en de bediening van de draaiportaanrijving.

Poortsystemen moeten voldoen aan de krachtbegrenzing in overeenstemming met de EN 12453, EN 60335-2-103.

Bij wijzigingen aan het systeem moet rekening worden gehouden met extra veiligheidsvoorzieningen (sluitkantbeveiliging,) in overeenstemming met de norm.

Het is belangrijk ervoor te zorgen dat de poort altijd soepel loopt. Poorten die blijven hangen of klemmen, moeten onmiddellijk worden gerepareerd. Neem een gekwalificeerde technicus in de arm om de poort te repareren, probeer het nooit zelf te doen. Dit apparaat is niet bedoeld voor gebruik door personen (inclusief kinderen) met beperkte fysieke, zintuiglijke of mentale vermogens of met gebrek aan ervaring of kennis, tenzij zij onder toezicht staan van een persoon die verantwoordelijk is voor hun veiligheid of instructies heeft gekregen over het gebruik van het apparaat. Indien nodig MOET controleapparatuur binnen het zicht van de poort en buiten het bereik van kinderen worden gemonteerd. Kinderen moeten onder toezicht staan om ervoor te zorgen dat ze niet met het apparaat spelen. Sta niet toe dat kinderen drukknop(pen) of afstandsbediening(en) bedienen. Verkeerd gebruik van het aandrijfsysteem van de poort kan ernstig letsel tot gevolg hebben.

De waarschuwingsborden moeten op duidelijk zichtbare plaatsen worden aangebracht.

De poortopener mag ALLEEN worden gebruikt als de gebruiker het hele poortgebied kan overzien en er zeker van is dat het vrij is van obstakels en dat de poortopener juist is ingesteld. Niemand mag door het poortgebied terwijl het in beweging is. Kinderen mogen niet in de buurt van de poort spelen.

De volledige bescherming tegen mogelijke verplettering of beknelling moet onmiddellijk werken wanneer de aandrijfarmen zijn geïnstalleerd.

Er kunnen bestaande gevaren zijn aan de mechanische, elektrische installatie of de sluitranden van de poort door pletten, stootpunten:

- Structurele storing, vleugel, scharnieren, bevestigingen, aanslagen, windbelasting
- Kreukel-, scharnierzone, onder de poort, veiligheidsafstand op vast voorwerp
- Elektrische storing (Controle - storingen in veiligheidssystemen)
- Impact, slagvlak, wachtstand, krachtbegrenzing, aanwezigheidsdetectie

Er moeten passende maatregelen worden genomen om de veilige werking van het poortsysteem volgens de normen te waarborgen.

Start nooit een beschadigde aandrijving op.

Gebruik de handmatige ontgrendeling alleen om de aandrijving te ontkoppelen en - indien mogelijk - ALLEEN wanneer de poort gesloten is. Bediening van de handmatige noodontgrendeling kan leiden tot ongecontroleerde bewegingen van de poort. De functie Timer-to-Close (TTC), de myQ Smartphone Control app, zijn voorbeelden van onbemande bediening van de poort.

Een apparaat of voorziening waarmee de poort kan worden gesloten zonder dat men zich in de gezichtslijn van de poort bevindt, wordt beschouwd als onbemand openen/sluiten.

De functie Timer-to-Close (TTC), de myQ Smartphone Control en alle andere myQ-apparaten kunnen ALLEEN worden geactiveerd als er fotocellen van Liftmasters zijn geïnstalleerd (TTC werkt alleen in de sluitingsrichting). De poort mag alleen in de directe gezichtslijn naar de poort worden bediend.

BELANGRIJKE INFORMATIE!

- Deze procedure is ook vereist voor particuliere installaties (nieuw of achteraf ingebouwd in een handmatig bediende poort).
Deze installatie- en bedieningshandleiding moet door de gebruiker worden bewaard.
- De fabrikant aanvaardt geen aansprakelijkheid/garantieclaims die voortvloeien uit ander dan het bedoelde gebruik en gebruik na het verstrijken van de garantie.
- Het rechtsmiddel is de enige verantwoordelijkheid voor alle bijbehorende rechten.

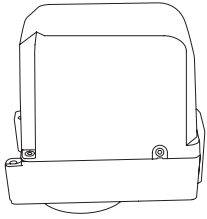
OPMERKING: Neem de installatie- en bedieningshandleiding in acht.

- Controleer altijd de werking van het systeem en verhelp de oorzaak onmiddellijk in geval van een storing.
- Voer een jaarlijkse inspectie van het systeem uit. Bel een specialist.
- De veiligheidsafstanden tussen de poortvleugel en de omgeving moeten worden gerespecteerd in overeenstemming met de desbetreffende normen.
- De aandrijving kan alleen worden geïnstalleerd op stabiele en stijve poortvleugels. De poortvleugels mogen bij het openen en sluiten niet doorbuigen of verdraaien.
- Zorg ervoor dat de scharnieren van de poortvleugel geïnstalleerd zijn en juist werken en geen obstakels creëren.
- Installatie van twee aandrijvingen op dezelfde deurvleugel is ten strengste verboden.
- Neem de overeenkomstige voorschriften van de lokale, nationale voorschriften in acht voor de naleving van de maatregelen ter bescherming van de menselijke gezondheid, die in acht moeten worden genomen bij contact met andere personen, waaronder werknemers, leveranciers en klanten (bijv. veiligheidsafstand, maskerplicht, enz.).
- Precieze informatie kan worden opgevraagd bij de lokale autoriteiten.

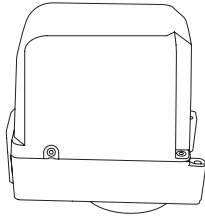


2. LEVERINGSOMVANG

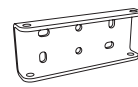
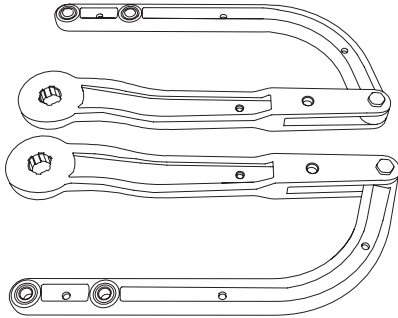
AA250EVK



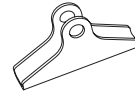
Primaire eenheid met bedieningspaneel



Secundaire eenheid



Paal montagebeugel (2x)



Poort montagebeugel (2x)



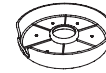
Borgring (2x)



Borgpen (2x)



Schroef en moer (4x)



Afdekking (2x)



Schroef en sluitring (2x)



Trekcontlasting
4 x M16
2 x M20



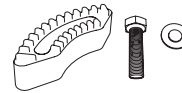
Grommets (6x)



Zender (2x)



Ontgrendelingsleutel (4x)

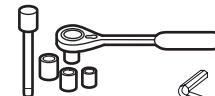
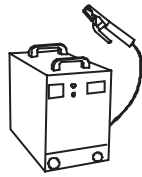
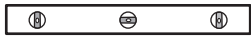
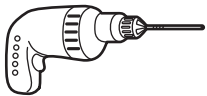


Harde aanslagen (4x)
Schroeven + sluitringen (4x)

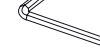


Installatiehandleiding

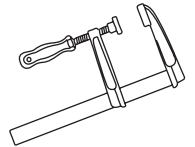
3. TOOLS DIE NODIG ZIJN



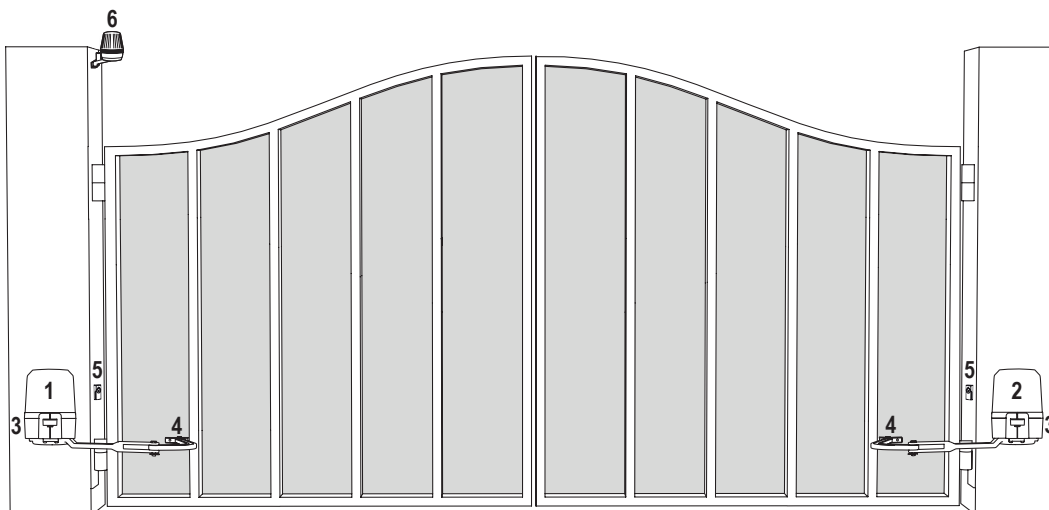
13, 14 mm



6 mm



4. OVERZICHT VAN DE POORTAANDRIJVING



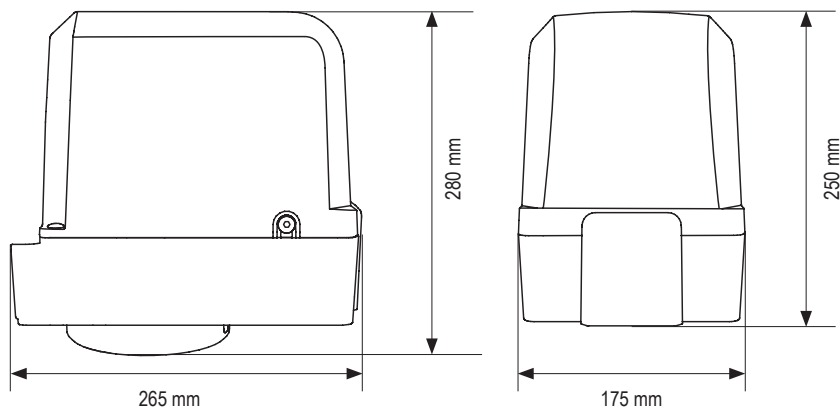
1. Motor 1 met bedieningspaneel
2. Motor 2
3. Paalbeugel (verborgen)
4. Poortbeugel
5. Infrarood fotocellen
6. Knipperlicht

5. MECHANISCHE INSTALLATIE

Hiermee begint u de mechanische installatie van de poortaanrijving.

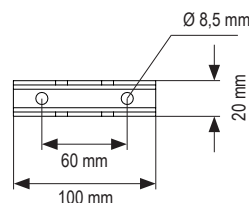
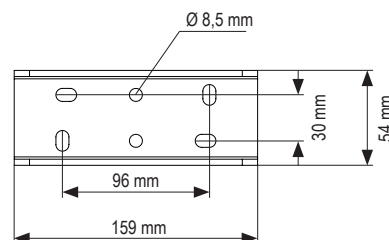
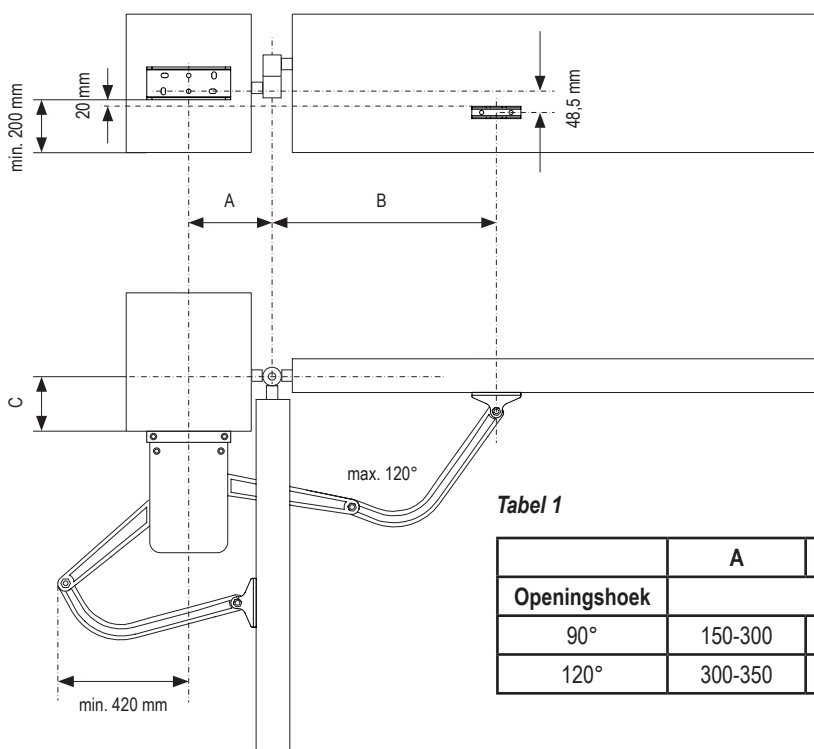
5.1 Afmetingen van poort en aandrijving

AA250EVK



AA250EVK	
1,5 m	250 kg
2,0 m	200 kg
2,5 m	150 kg

Voorbeeld installatie



Tabel 1

	A	B	C
Openingshoek	mm		
90°	150-300	390-540	0-300
120°	300-350	300-350	0-25

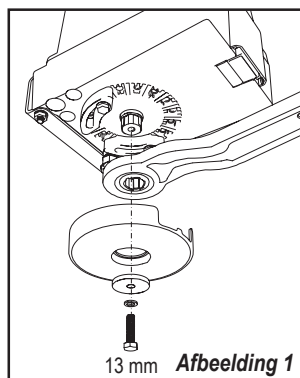
5.2 Bepaal de positie van de paalbeugel

1. Bepaal de afmetingen A, B en C op basis van de openingshoek in tabel 1 om de positie te bevestigen waar de paalbeugel zal worden gemonteerd.

OPMERKING: Alle knelpunten moeten worden beveiligd met een bevestigingsbeveiliging overeenkomstig EU: EN 12453, EN 60335-2-103; GB (VK, NI): BS EN 12453, BS EN 60335-2-103.

Bevestiging aandrijfarm

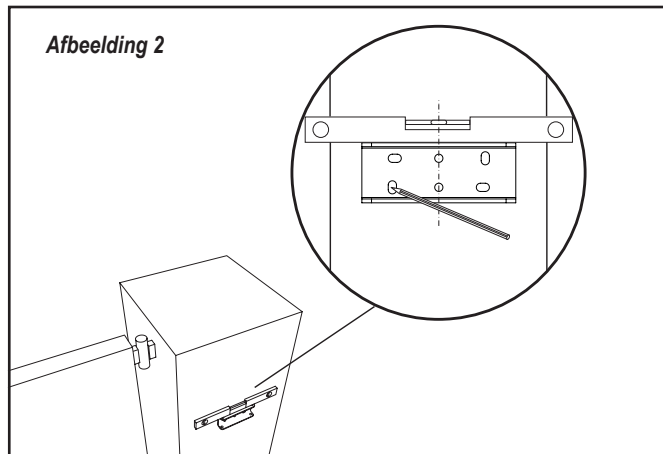
1. Bevestig de motorarm aan het midden van de opener vanaf de onderkant.
2. Draai de kappen vast met de schroef en de sluitring.



5. MECHANISCHE INSTALLATIE

5.3 Paalbeugel installatie

1. Gebruik de paalbeugel als referentie, markeer en boor de gaten voor de paalbeugel.
2. Bevestig de paalbeugel met het juiste bevestigingsmateriaal op basis van de bestaande installatie (bouw-/materiaalsubstantie). Raadpleeg de fabrikant van de poort.
3. De sleuven in de paalbeugel maken uitlijning mogelijk. Wanneer de paalbeugel waterpas staat, draait u de moeren vast.



OPMERKING: Gebruik voor bakstenen of betonnen palen de juiste pluggen en schroeven. Houd de juiste afstand tot de paalranden aan. Bij metalen palen dient u rekening te houden met de dikte van de paal en de beugel rechtstreeks aan de paal te lassen of te schroeven. Gebruik voor houten palen de juiste schroeven en gebruik indien nodig verstevigingsplaten. Voorzichtigheid: De bevestigde beugels mogen na de installatie en tijdens het gebruik niet losraken.

5.4 Montage van de aandrijving en aanpassing van de slagafstand

1. Lijn de gaten van de aandrijving uit op de gaten van de paalbeugel en bevestig ze met de schroeven en moeren (zie afbeelding 3.a).
2. Verbind de arm met de as van de motoreenheid (zie afbeelding 3.b). Monteer de plastic beschermkap nog niet, als u van plan bent om harde aanslagen voor de aandrijving te installeren.
3. Ontgrendel de aandrijvingskoppeling met de ontgrendelsleutel (zie afbeelding 4 op pagina 7).
4. Breng de poortvleugel naar de gesloten positie.

OPMERKING: Het systeem moet werken met externe harde aanslagen in beide richtingen.

5.4.1 Installatie met harde aanslagen buiten de poort: (poort harde aanslagen reeds geïnstalleerd)

- a. Plaats de poortbeugel in de gewenste volledig gesloten positie zoals aangegeven in afbeelding 3.c. Bevestig het tijdelijk aan de poortvleugel en verbind het met de aandrijfarm rekening houdend met de afmetingen A, B en C uit tabel 1.
- b. Handmatig openen en sluiten van de poort in de gewenste posities. Zorg ervoor dat de aandrijfarm niet vastzit en of de poort soepel beweegt.
- c. Maak een permanente verbinding van de poortbeugel op de gekozen juiste positie.

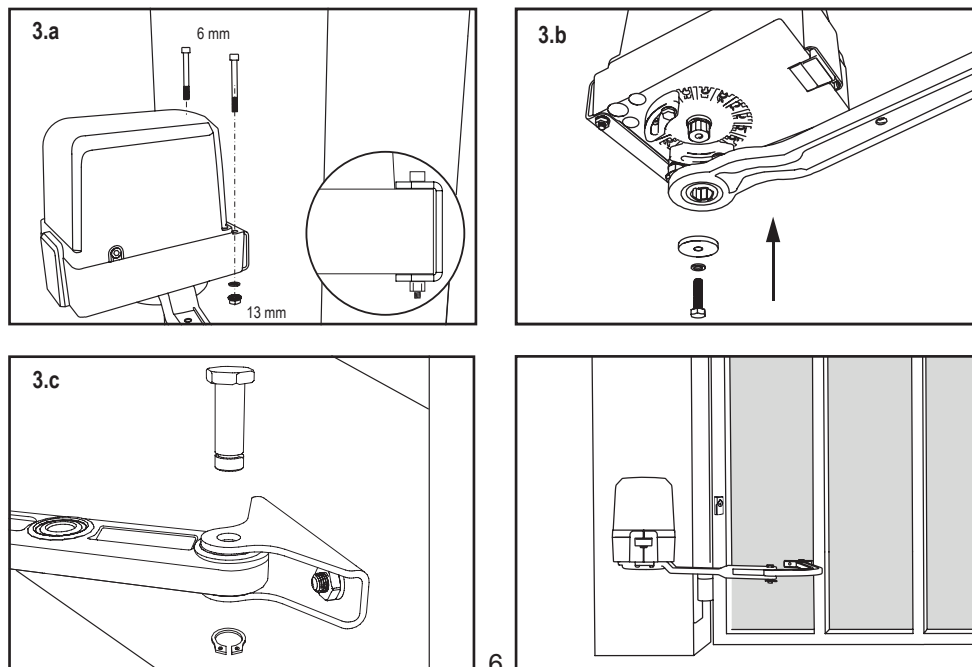
5.4.2 Installatie met harde aanslagen voor de aandrijving: (geen poort harde aanslagen geïnstalleerd)

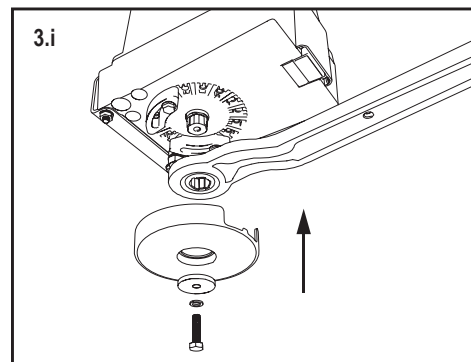
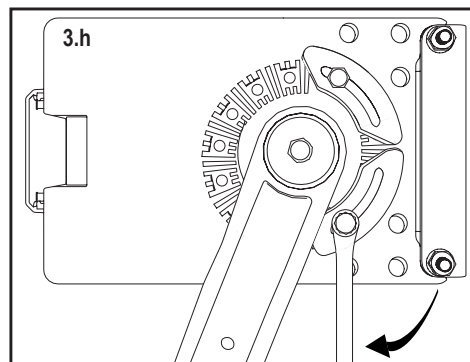
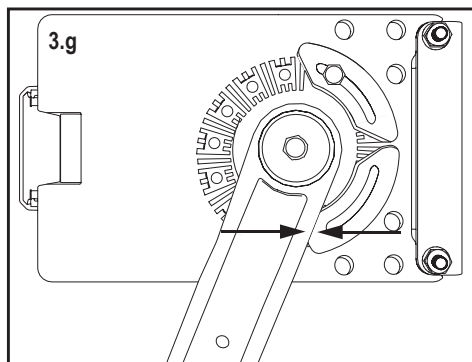
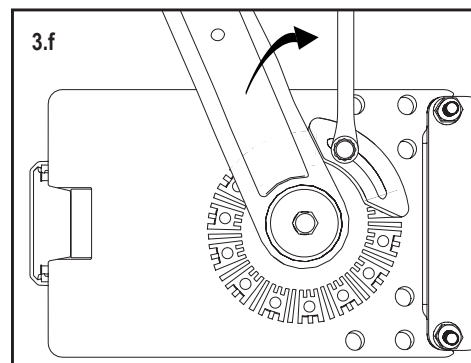
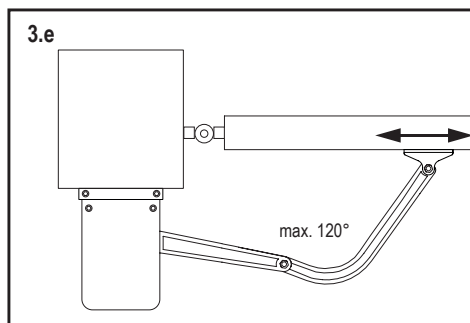
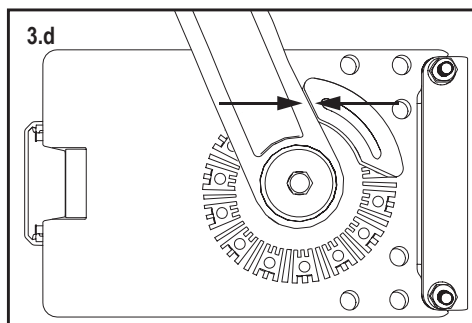
- a. Plaats de poortbeugel in de gewenste volledig gesloten positie zoals aangegeven in afbeelding 3.c. Maak het tijdelijk vast aan de poortvleugel (maak nog geen permanente verbinding met de poortvleugel om aanpassingen mogelijk te maken) en verbind het met de aandrijfarm rekening houdend met de afmetingen A, B en C uit tabel 1.
- b. Handmatig openen en sluiten van de poort in de gewenste posities. Zorg ervoor dat de aandrijfarm niet vastzit en of de poort soepel beweegt.
- c. Bevestig de harde aanslag van de aandrijving in de positie "sluiten" zo dicht mogelijk bij de arm (zie afbeelding 3.d). Houd de poortvleugel in de gewenste positie "gesloten" en pas de positie van de poortbeugel zo aan, dat de arm in de positie "sluiten" tegen de harde aanslag duwt (zie afbeeldingen 3.e en 3.f).
- d. Maak een permanente verbinding van de poortbeugel op de gekozen juiste positie.
- e. Open de poort tot de gewenste positie "openen" en bevestig de harde aanslag van de aandrijving voor de positie "openen" zo dicht mogelijk bij de arm (zie afbeeldingen 3.g en 3.h).
- f. Monteer de beschermkap aan de onderkant van de aandrijving (zie afbeelding 3.i).

4.3 Een combinatie van aandrijving en harde aanslag van de poort is toegestaan. Gebruik de respectievelijke instelprocedures zoals hierboven beschreven.

5. Herhaal de procedure voor de eenheid aan de tegenovergestelde kant.

Afbeelding 3



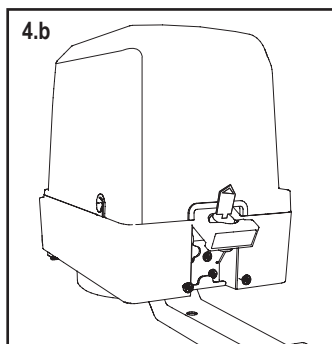
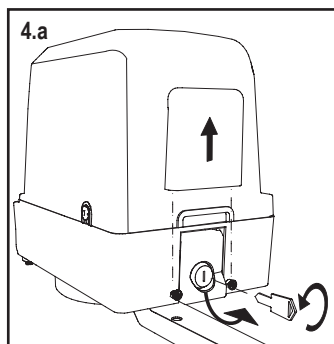


5.5 Noodontgrendelingsmechanisme

Om het ontgrendelmechanisme te ontgrendelen, verwijdert u de plastic afdekking, voert u de sleutel in en draait u hem 90°.

Trek de koppeling omhoog (zie afbeelding 4). Om het ontkoppelingmechanisme weer in te schakelen, duwt u de koppeling omlaag en draait u de sleutel 90°.

Afbeelding 4



INSTALLATIE

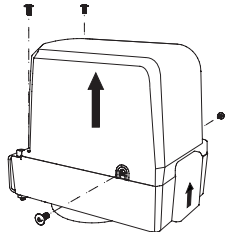
5.6 Installatie van het bedieningspaneel en bedrading van de motor

Het bedieningspaneel is reeds vooraf geïnstalleerd in de primaire eenheid en vooraf bekabeld met de aansluitklemmen van motor 1.

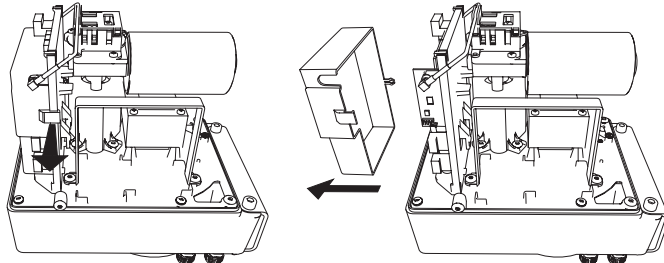
Om toegang te krijgen tot bedieningspaneel in de primaire eenheid, draait u de 2 schroeven aan de zijkanten van de afdekking en de 2 schroeven aan de achterkant van de primaire eenheid los (zie afbeelding 5).

De aansluitklemmen voor de bedrading van de accessoires zijn rechtstreeks toegankelijk. Om toegang te krijgen tot de programmeerknoppen, verwijdert u de doorzichtige plastic afdekking en plaatst u ze terug wanneer het programmeren klaar is (zie afbeelding 6). Verwijder de afdekking van de secundaire eenheid op dezelfde manier als bij de primaire eenheid om toegang te krijgen tot de aansluitklemmen van de motorbedrading (zie afbeelding 7).

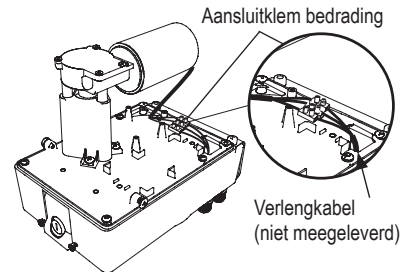
Afbeelding 5 Verwijderen van de afdekking



Afbeelding 6 Primaire eenheid



Afbeelding 7 Secundaire eenheid



Volgens de standaardinstellingen wordt de primaire eenheid geacht links te zijn geïnstalleerd (wanneer men van binnen naar buiten kijkt), en de secundaire eenheid rechts. Als de primaire eenheid rechts is geïnstalleerd en de secundaire eenheid links, wijzigt u de instellingen van de functies "d1" en "d2".

Motor 1 aansluiting

OPMERKING: De aandrijving die is aangesloten op de aansluitklem MOTOR 1 zal altijd eerst openen en als laatste sluiten.

Overweeg dit voor de basis- en geavanceerde instellingen (zie de sectie programmeren).

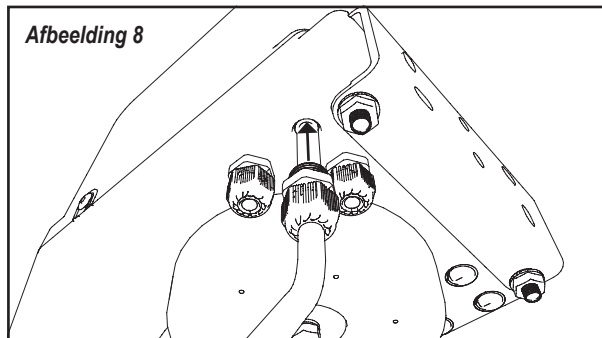
De primaire eenheid is al vooraf bedraad op de aansluitklemmen van MOTOR 1. Geen extra stappen nodig voor de bedrading van motor 1

Motor 2 aansluiting

OPMERKING: De aandrijving die is aangesloten op de aansluitklem van MOTOR 2 zal altijd als laatste openen en als eerste sluiten.

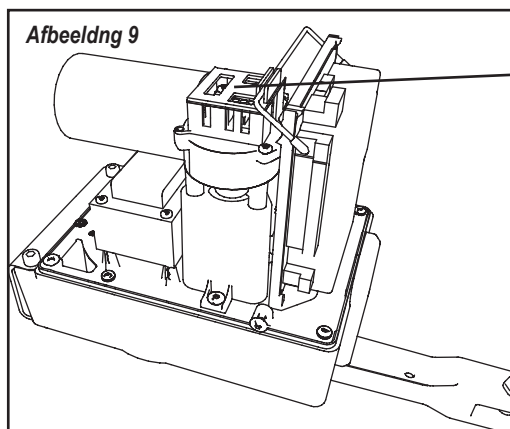
Overweeg dit voor de basis- en geavanceerde instellingen (zie de sectie programmeren).

1. Sluit de verlengkabel (niet meegeleverd) aan op de bedradingsklemmen van de secundaire eenheid (zie afbeelding 7). Noteer de kabelkleuren van de secundaire motor zodat ze overeenkomen met die op de bedradingsklem van het bedieningspaneel voor MOTOR 2.
2. Voer de verlengkabel van de secundaire motor door één van de kabelwartels aan de onderkant van de primaire eenheid (zie afbeelding 8). Zorg ervoor dat u de kant van de motor gebruikt waar de arm de kabels niet kan doorsnijden tijdens het openen of sluiten.
3. Sluit de secundaire motorkabels als volgt aan op de aansluitklemmen van MOTOR 2: rode kabel op de RED aansluitklem, groene kabel op de GRN aansluitklem, witte kabel op de WHT aansluitklem van het bedieningspaneel.



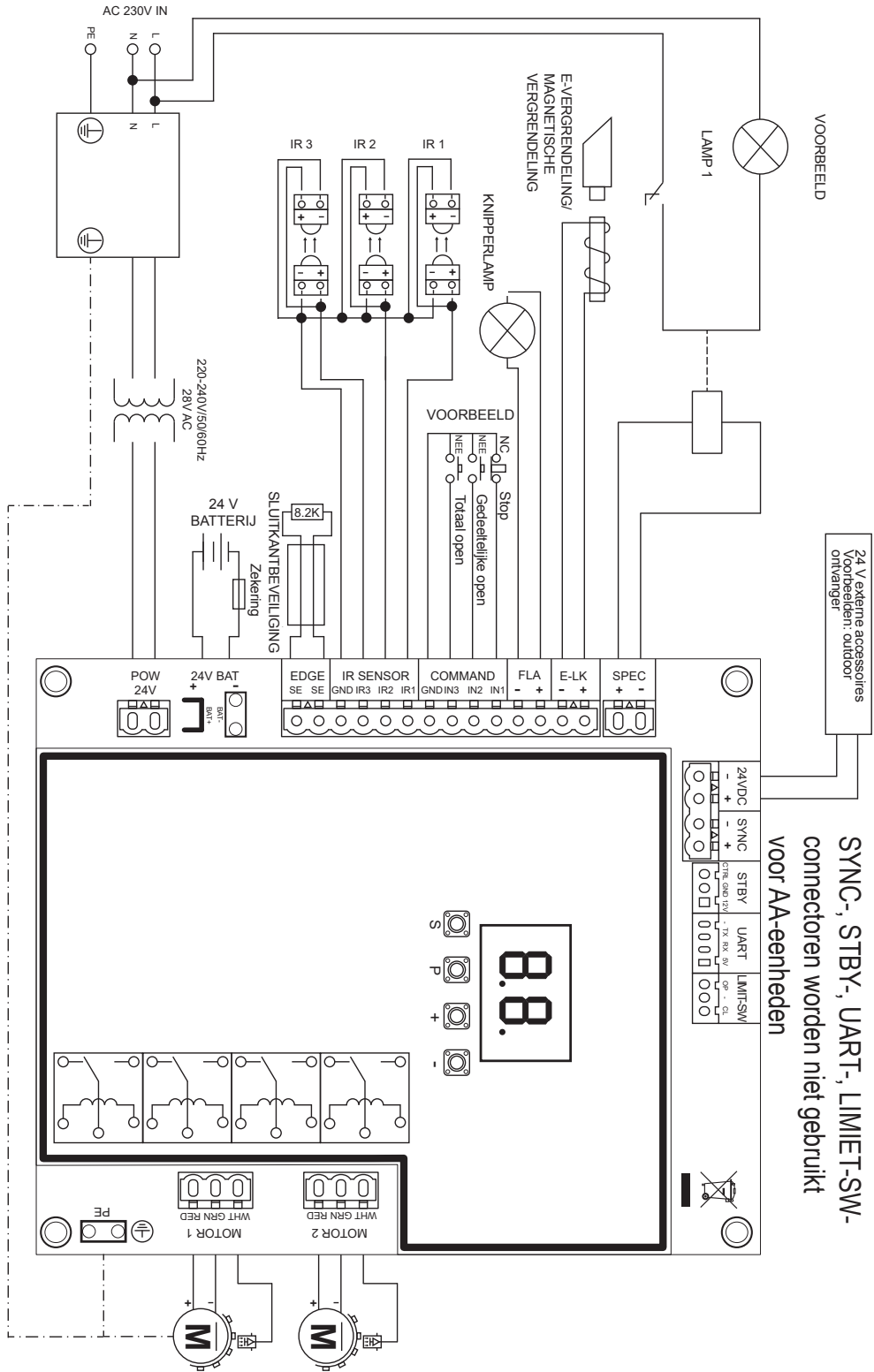
5.7 Voedingsbedrading

De bedrading van de netspanning moet worden uitgevoerd door een erkende electricien.



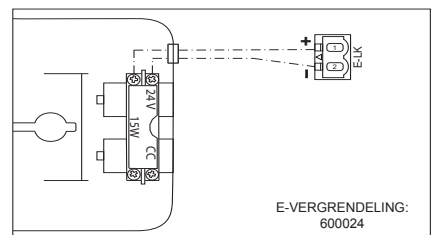
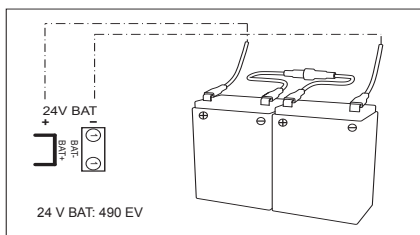
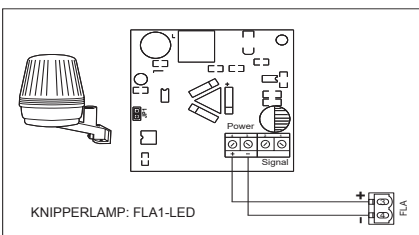
Gefeliciteerd! Hiermee is de mechanische installatie van uw poort aandrijving voltooid. Ga verder met programmeren en basisinstellingen om te kunnen beginnen met de bediening.

6. BEDRADINGSSCHEMA



24 V externe accessoires
Voorbeelden: outdoor
omvangfer

**SYNC-, STBY-, UART-, LIMTET-SW-
connectoren worden niet gebruikt
voor AA-eenheden**



7. PROGRAMMERING

7.1 Display, programmeerknoppen en functie-instelling

Functie programmeerknoppen (4 knoppen):

Knop	Functie
S	afstandsbedieningen en specifieke functies programmeren/wissen
P	programmeermodus openen, functie selecteren en opslaan
+/-	Navigeer door het menu en wijzig de waarde op het display

Functie en geprogrammeerde waarden worden op het led display weergegeven.

Functie-instelling - programmeermodus

Led display toont de volgende waarden nadat het bedieningspaneel is ingeschakeld:

--	Het bedieningspaneel is voorgeprogrammeerd op relevante toepassing (zie hieronder onder "toepassing" en "stand-by modus" voor statusbeschrijving).
E0	"E0", indien de bedieningspaneel nog niet is geprogrammeerd of gereset door de functie "fabrieksinstelling". Vanaf deze status zal een invoer van een zendercommando altijd genegeerd worden.

Hiermee start u met de programmering van uw poortaanrijving.

7.2 Algemeen programmeringsoverzicht

De programmering is verdeeld in 2 secties:

1. Basisinstellingen (pagina 11)
2. Geavanceerde instellingen (pagina 14)

Nadat de basisinstellingen zijn voltooid, worden de volgende parameters automatisch geleerd tijdens de leerfase:

1. Reislengte van positie **VOLLEDIG GESLOTEN** tot **VOLLEDIG OPEN**.
2. Openings- en sluitingskracht voor elke motor.

OPMERKING:

- De basisinstellingen en de leerfase moeten voltooid zijn om de bediening mogelijk te maken.
- Nadat de leerfase en de programmering zijn voltooid, werkt de aandrijving volgens de standaardinstellingen.
- Geavanceerde instellingen zijn niet toegankelijk als de basisinstellingen en de leerfase niet zijn voltooid.
- **Alvorens de programmering uit te voeren, moet u ervoor zorgen dat de desbetreffende veiligheidsvoorzieningen zijn aangesloten.**

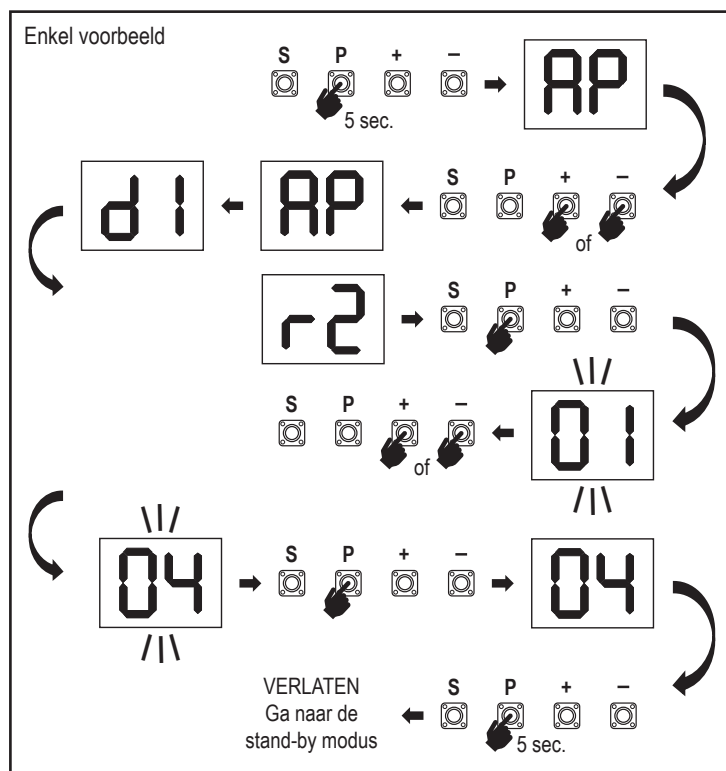
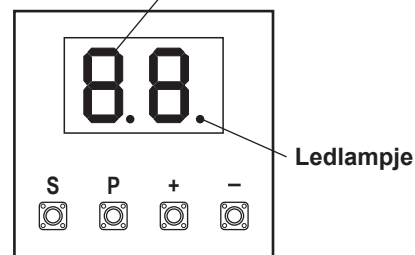
Algemene opstelling:

1. Houd de knop "P" gedurende 5 seconden ingedrukt om het menu te openen. "AP" op het display geeft de eerste beschikbare functie in het menu aan.
2. Gebruik de knoppen "+" en "-" om tussen de functies te navigeren.
3. Druk op de knop "P" om de gewenste functie te selecteren.
4. De standaardinstelling of de eerder geprogrammeerde waarde verschijnt. Dit wordt aangegeven door het knipperen van de waarde op het display.
5. Gebruik de knoppen "+" of "-" om de gewenste waarde te selecteren. Druk op de knop "P" om de selectie te bevestigen.
6. De geprogrammeerde functie wordt op het display weergegeven.
7. Om de instelling van een andere functie te wijzigen, herhaalt u de volgorde van de punten #2 tot #6
8. Om naar het functiemenu te gaan, drukt u op de knop "P" gedurende 5 seconden, waarna de kaart in stand-by modus gaat.

Indien de knop "P" niet wordt ingedrukt om de nieuwe waarde-instelling te bevestigen, zullen de nieuwe instellingen na 3 minuten worden opgeslagen en zal de programmering het menu verlaten en terugkeren in stand-by modus.

OPMERKING: Om de poort te bedienen of een commando uit te voeren, moet het instelmenu worden afgesloten door de knop "P" gedurende 5 seconden in te drukken, of door de functie FE te selecteren, of door 3 minuten te wachten voor automatisch verlaten en terugkeren in stand-by modus.

2-cijferig led display



7. PROGRAMMERING

7.3 Vleugelbeweging richting

Vóór het programmeren de poort handmatig in de middenstand zetten en de ontgrendeling weer inschakelen (zie pagina. 7).
Houd de knop "-" op het bedieningspaneel ingedrukt en zorg ervoor dat de motoren bewegen in de richting **SLUITEN**. Indien correct, laat onmiddellijk de knop "-" los en de poort stopt.

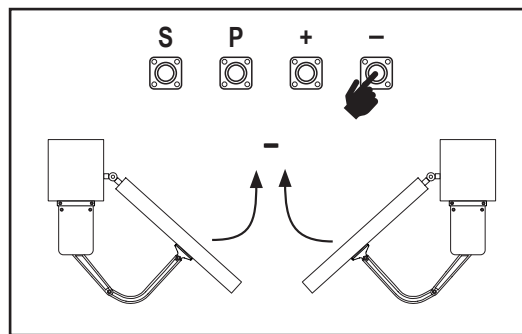
Als de motoren in de richting **OPENEN** bewegen, ga dan naar de functies "d1" en "d2" en wijzig de richtinginstellingen.

Zodra de richting **SLUITEN** correct is ingesteld, laat u de poort in de middenstand staan. De operator is klaar voor de leerfase.

Opmerking: indien nodig kan de poort vóór de definitieve instellingen worden verplaatst met de knoppen "+" en "-".

Houd de knop "+" op het bedieningspaneel ingedrukt om de poort in de stand **OPENEN** te zetten. Als de knop wordt losgelaten, stopt de aandrijving.

Houd de knop "-" op het bedieningspaneel ingedrukt om de poort in de stand **SLUITEN** te zetten. Als de knop wordt losgelaten, stopt de aandrijving.



7.4 Basisinstellingen

Basisinstellingen overzicht

LED		Functie
		Basisinstellingen (verplicht)
AP	AP	Toepassing
d1	d1	Richting motor 1
d2	d2	Richting Motor 2
LL	LL	Beperkte leerfase

7.4.1 Applicatie-instellingen

Toepassingsfunctie weergegeven op het display.
Deze functie is reeds in de fabriek ingesteld op waarde 05.



05	Draaiport, twee motoren voor de AA250-toepassing (standaard)
-----------	--

Meer instellingen beschikbaar op aanvraag:

00	Geen toepassing geselecteerd
04	Draaiport, één motor voor de AA250-toepassing

De waarden 01-03, 06, 07 zijn niet geschikt voor AA250-toepassingen en mogen niet worden gekozen.

7.4.2 Richting motor 1 instellingen



Richting functie motor 1 weergegeven op het display
Bepaalt de bewegingsrichting van de motor 1.

01	Motor 1 beweegt in sluitingsrichting, indien geïnstalleerd aan de rechterkant .
02	Motor 1 beweegt in sluitingsrichting, indien geïnstalleerd aan de linkerkant (standaard)

7.4.3 Richting motor 2 instellingen

Richting functie motor 2 weergegeven op het display.
Bepaalt de bewegingsrichting van de motor 2. Niet beschikbaar voor "één motor"-toepassing.



01	Motor 2 beweegt in sluitingsrichting, indien geïnstalleerd aan de rechterkant (standaard)
02	Motor 2 beweegt in sluitingsrichting, indien geïnstalleerd aan de linkerkant

7.4.4 Beperkt leren



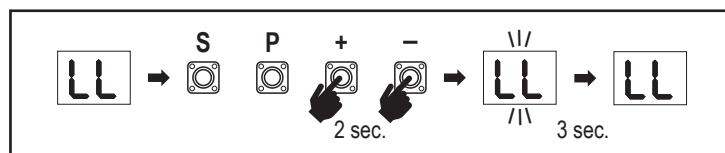
Alvorens een leerfase te beginnen, zorg ervoor dat:

1. Andere basisinstellingen zijn voltooid
2. Interne/externe harde aanslagen worden geïnstalleerd (voor draaiport)
3. De eerste beweging zal in de richting **SLUITEN** zijn.

Beschikbare leermethoden:

Standaard leermodus (Automatisch)

1. Houd de knoppen "+" en "-" gedurende 2 seconden ingedrukt.
2. Het automatische leerproces start. LL zal op het display knipperen gedurende het gehele proces.
3. Vleugel 2 beweegt in de richting **SLUITEN** tot de harde aanslag is bereikt, en stopt.
4. Vleugel 1 beweegt in de richting **SLUITEN** tot de harde aanslag is bereikt, en gedurende 2 seconden stopt. Vervolgens start vleugel 1 in de richting **OPENEN** tot de harde aanslag is bereikt.
5. Vleugel 2 beweegt in de richting **OPENEN** totdat een harde aanslag wordt bereikt, stopt 2 seconden en beweegt dan in de richting **SLUITEN** totdat een harde aanslag wordt bereikt, en stopt.
6. Vleugel 1 beweegt in de richting **SLUITEN** tot de harde aanslag is bereikt, en stopt.
7. De standaard leerfase is voltooid. LL zal op het display verschijnen en het bord zal na 3 seconden terugkeren in de stand-by modus.



OPMERKING: Bij toepassing met één motor worden de acties "vleugel 2" niet gebruikt. De volgende instellingen worden uitgevoerd in de standaard leermodus:

1. Reislengte van positie **VOLLEDIG GESLOTEN** tot **VOLLEDIG OPEN**.
2. Openings- en sluitingskracht voor elke motor.
3. 15% van de totale slag in beide richtingen is toegewezen voor soft-stop.
4. De vleugelvertraging in de positie openen en sluiten is 2 seconden. Als u de vertraging wilt wijzigen, ga dan naar geavanceerde instellingen: Vertraging motor 2 (d0) en vertraging motor 1 (dC).

7. PROGRAMMERING

Geavanceerde leermodus (handmatige instelling van de positie soft-stop)

1. Houd de knoppen "+" en "-" gedurende 2 seconden ingedrukt.
2. Het automatische leren start. LL zal op het display knipperen gedurende het gehele proces.
3. Vleugel 2 beweegt in de richting **SLUITEN** tot de harde aanslag is bereikt, en stopt.
4. Vleugel 1 beweegt in de richting **SLUITEN** tot de harde aanslag is bereikt, en gedurende 2 seconden stopt.
5. Vleugel 1 start in de richting **OPENEN** op standaard snelheid.
6. Om de start van de soft-stop voor vleugel 1 in de richting **OPENEN** te bepalen, drukt u op de knop "P" op het gewenste startpunt. Vleugel 1 blijft openen tot de harde aanslag is bereikt, en stopt.
7. Vleugel 2 start in de richting **OPENEN** op standaard snelheid.
8. Om de start van de soft-stop voor vleugel 2 in de richting **OPENEN** te bepalen, drukt u op de knop "P" op het gewenste startpunt. Vleugel 2 blijft openen totdat de harde aanslag wordt bereikt, stopt 2 seconden en gaat dan in de richting **SLUITEN** met standaard snelheid.
9. Om de start van de soft-stop voor vleugel 2 in de richting **SLUITEN** te bepalen, drukt u op de knop "P" op het gewenste startpunt. Vleugel 2 blijft sluiten tot de harde aanslag is bereikt, en stopt.
10. Vleugel 1 beweegt in de richting **SLUITEN** op standaard snelheid.
11. Om de start van de soft-stop voor vleugel 1 in de richting **SLUITEN** te bepalen, drukt u op de knop "P" op het gewenste startpunt. Vleugel 1 blijft sluiten tot de harde aanslag is bereikt, en stopt.
12. De geavanceerde leerfase is voltooid. L zal op het display verschijnen en het bord zal na 3 seconden terugkeren in de stand-by modus.

OPMERKING: Bij toepassing met één motor worden de acties "vleugel 2" niet gebruikt.

De volgende instellingen zijn geprogrammeerd gedurende de geavanceerde de leermodus:

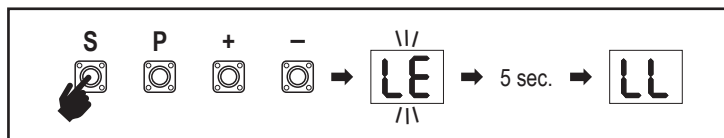
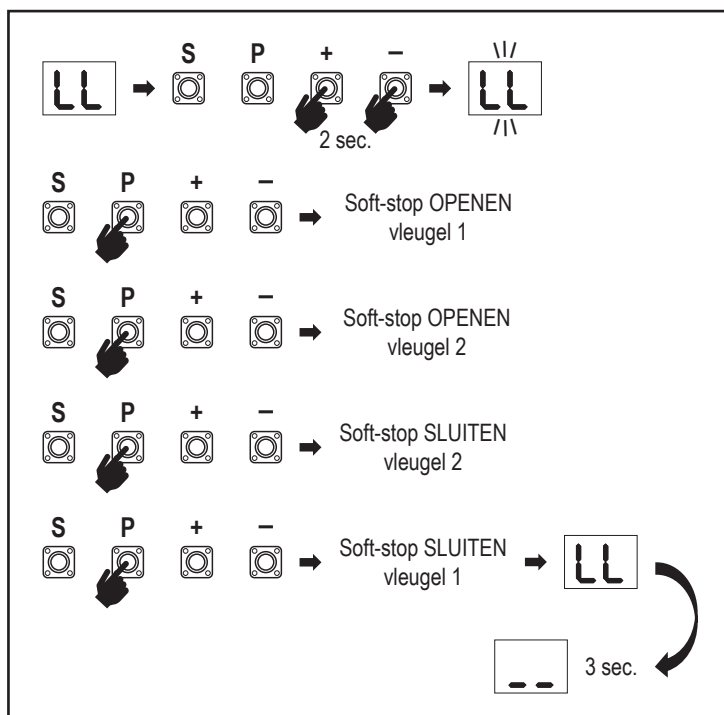
1. Reislengte van positie **VOLLEDIG GESLOTEN** tot **VOLLEDIG OPEN**.
2. Openings- en sluitingskracht voor elke motor.
3. Startpositie van de soft-stop.
4. De vleugelvertraging in de positie openen en sluiten is 2 seconden. Als u de vertraging wilt wijzigen, ga dan naar geavanceerde instellingen: Vertraging motor 2 (d0) en vertraging motor 1 (dC).

OPMERKING: Om de leerfase te stoppen, drukt u op de knop "S". Het leerproces wordt onderbroken, "LE" knippert op het led display. Na 5 seconden verschijnt "LL" op het display om aan te geven dat u klaar bent om de leerfase opnieuw te starten. Als het leerproces niet is voltooid, moet het opnieuw worden uitgevoerd.

AANDACHT: De leerfase moet voltooid zijn om te kunnen werken.

7.5 Stand-by modus

Nadat het bedieningspaneel is ingeschakeld en de programmering is voltooid, licht het led display gedurende 2 seconden volledig op en gaat het dan in stand-by modus. In de stand-by modus geeft het led display de huidige poortstatus weer.



	Twee motoren (standaard)	Eén motor
De motor opent, bovenste sectie van het display knippert.		
De motor stopt bij de openingspositie, bovenste sectie van het display is aan.		
De motor sluit, onderste sectie van het display knippert.		
De motor stopt bij de sluitingspositie, onderste sectie van het display is aan.		
De motor stopt in het midden, midden van het display is aan.		

Hiermee zijn de basisinstellingen voltooid. U kunt de programmering verlaten en uw poort bedienen of verder gaan met geavanceerde instellingen.

7. PROGRAMMERING

7.6 Programmeren en wissen van afstandsbedieningen, radioaccessoires en myQ-apparaten

Programmeer afstandsbedieningen (zenders en draadloze muurbedieningen):

OPMERKING: de afstandsbedieningen die bij de aandrijving worden geleverd, zijn in de fabriek al voorgeleerd aan de aandrijving (bovenste knop in de buurt van de led) en hoeven niet extra te worden geprogrammeerd.

1. Druk op "S" en laat de knop los. Er gaat een ledlampje branden op het display. De aandrijving blijft gedurende 3 minuten in de radioprogrammeermodus. Elk radio-accessoireapparaat kan binnen de eerste 30 seconden worden geleerd. Gedurende de resterende 2,5 minuut kunnen alleen myQ-apparaten worden geleerd.
2. Kies de gewenste knop op uw zender en houd deze ingedrukt totdat de stip in het display uitgaat.

Om een nieuwe afstandsbediening te programmeren herhaalt u het volgorde. Om een draadloos toetsenbord te programmeren, volgt u de respectievelijke handleiding van het accessoire.

Programmeren zender in gedeeltelijke opening

Houd tegelijkertijd de knoppen "S" en "+" ingedrukt, totdat het ledlampje begint te knipperen. Houd de gewenste vrije knop op de zender ingedrukt om de gedeeltelijke openingsmodus te programmeren.

Het ledlampje gaat uit wanneer de programmering is voltooid. Als er een lampje is aangesloten op het SPEC-contact, knippert het één keer.

Programmeer de myQ-poort (828EV):

1. Aansluiten

Sluit de bij de gateway geleverde ethernetkabel (1) aan op de router (2). Gebruik de voor uw land geldige stekker (niet alle modellen). Sluit de stroom (3) aan op de internet gateway (4). Wanneer de internetpoort verbinding maakt met het internet, stopt het groene lampje (5) met knipperen en gaat het continu branden. Een aangesloten set IR's is verplicht voor de myQ-werking.

2. Creëer een account

Download de gratis myQ-app uit de App Store of Google Play Store en creëer een account. Als u al een account heeft, gebruik dan uw gebruikersnaam en wachtwoord.

3. Registreer de myQ-internet gateway

Voer het serienummer in dat zich onderaan de internet gateway bevindt wanneer hierom wordt gevraagd.

4. Voeg myQ-apparaten toe

Om uw poortaanrijving aan de geregistreerde gateway toe te voegen, volgt u de instructies op de app. Bij het toevoegen van een nieuwe myQ-poortaanrijving drukt u kort op de knop "S" op het bedieningspaneel van de aandrijving. Op het display van het display van het bedieningspaneel gaat een ledlampje branden.

Opmerking: Nadat u een apparaat hebt toegevoegd, verschijnt het blauwe lampje op de internet gateway en blijft branden. Druk op de knop "S" op het bedieningspaneel van de aandrijving om de radioprogrammeermodus te verlaten.

5. Testen

Na de juiste installatie en registratie kunt u nu de volgende functies testen: poort openen of sluiten, status POORT OPENEN of POORT SLUITEN opvragen.

Voor meer functies zie www.liftmaster.eu

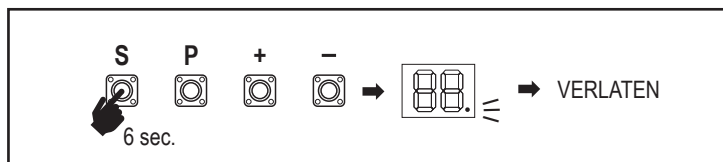
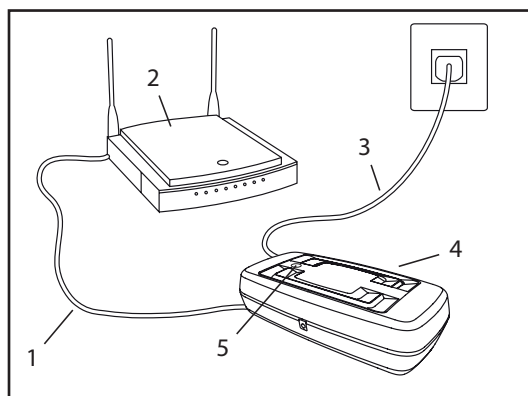
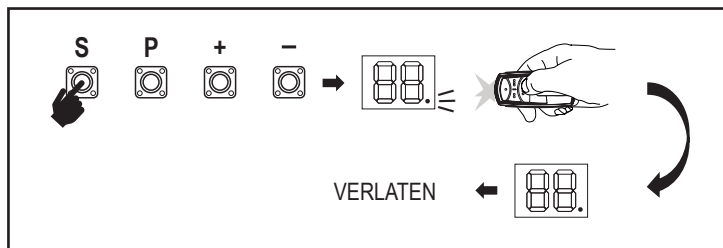
Wissen van radiobedieningsapparatuur (zenders, draadloze wandbedieningen, draadloze toetsenborden):

Houd de knop "S" gedurende > 6 seconden ingedrukt. Alle radiobedieningsapparatuur (zenders, wandzenders, toetsenborden) worden gewist. Het ledlampje in het display gaat uit. Opmerking: Het is niet mogelijk radiobedieningsapparatuur individueel te wissen.

Wis myQ-apparaten:

1. Wis eerst de afstandsbedieningen zoals hierboven aangegeven.
2. Houd binnen de volgende 6 seconden de knop "S" ingedrukt. Er gaat een ledlampje branden op het display.
3. Houd de knop "S" gedurende > 6 seconden ingedrukt. Alle myQ-apparaten zijn gewist. Het ledlampje in het display gaat uit.

OPMERKING: Het is niet mogelijk myQ-apparaten individueel te wissen. Het is niet mogelijk myQ-apparaten alleen te wissen.



7. PROGRAMMERING

Hiermee start u bij geavanceerde instellingen.

7.7 Geavanceerde instellingen

LED		Functie
	tr	Zender
	r1	IR1-fotocel
	r2	IR2-fotocel
	r3	IR3-fotocel
	i1	Invoer 1 commando
	i2	Invoer 2 commando
	i3	Invoer 3 commando
	Pd	Gedeeltelijke opening motor 1 alleen
	d0	Vertraging motor 2 in OPENEN
	dC	Vertraging motor 1 in SLUITEN
	tC	Timer om te sluiten (TTC)
	rt	Omkeertijd na impact
	EL	E-vergrendeling
	rb	Ontlasten motor 1 voor E-vergrendeling

LED		Functie
	FL	Knipperlamp
	PF	Vooraf knipperen
	SP	Speciale contact
	St	STARTsnelheid in OPENEN en SLUITEN
	Cn	Onderhoudsteller
	PS	Wachtwoord
	F1	Kracht motor 1 bij openen (beveiligd door PS)
	F2	Kracht motor 1 bij sluiten (beveiligd door PS)
	F3	Kracht motor 2 bij openen (beveiligd door PS)
	F4	Kracht motor 2 bij sluiten (beveiligd door PS)
	S1	Snelheid motoren bij OPENEN (beveiligd door PS)
	S2	Snelheid motoren bij SLUITEN (beveiligd door PS)
	SF	SOFT-STOPsnelheid bij OPENEN en SLUITEN (beveiligd door PS)
	Fd	Standaard fabrieksinstellingen
	FE	Beëindigen en verlaten

7.7.2 Zenderinstellingen

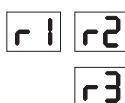
De zenderfunctie bepaalt hoe de commando's van de zender werken.

Opmerking: Onder de instellingen "01", "02" en "03" wordt de TTC-timer overbrugd door een commando van de zender en zal de poort SLUITEN. Onder instelling "04" wordt het aftellen van de actieve TTC-timer opnieuw ingesteld door het zendercommando.



	Residentiële modus: Openen – Sluiten – Openen
	Standaard modus: Openen – Stop – Sluiten – Stop – Openen (standaard)
	Automatisch met stopmodus: Openen – Stop – Sluiten – Openen
	Parkeermodus voor auto: Openen, tot volledig geopende positie. Extra commando's gedurende de opening worden genegeerd

7.7.3 Infrarood fotocellen instellingen



IR-functies bepalen de werkingsmodus van infrarood fotocellen (IR).

IR's worden automatisch geleerd bij installatie.

Elk van de 3 IR's kan afzonderlijk worden geprogrammeerd.

OPMERKING: Afhankelijk van de gekozen instellingen zullen de gedeeltelijke openingsinvoeren of afstandsbedieningscommando's niet worden uitgevoerd in zowel de richting OPENEN als SLUITEN als de IR-straal wordt geblokkeerd. Als de IR's zijn verwijderd, moet de voeding van het bedieningspaneel twee keer UIT/AAN worden geschakeld om af te leren.

Voor controle en onderhoud van de fotocellen, zie de handleiding van de fotocellen.

	IR actief bij beweging SLUITEN. Als de IR-straal wordt geblokkeerd, keert de poort om in de positie volledig OPENEN (standaard).
	IR actief bij beweging OPENEN. Als de IR-straal wordt geblokkeerd, stopt de poort. Wanneer de blokkering verdwijnt, gaat de poort verder OPENEN.
	IR is actief bij beweging OPENEN en SLUITEN. Als de IR-straal wordt geblokkeerd tijdens de beweging SLUITEN, stopt de poort en nadat de blokkering is verdwenen, keert de poort terug in de positie volledig OPENEN. Als de IR-straal wordt geblokkeerd bij een beweging OPENEN, stopt de poort. Wanneer de blokkering verdwijnt, gaat de poort verder OPENEN.
	IR actief bij beweging SLUITEN. Als de IR-straal wordt geblokkeerd, keert de poort om in de positie volledig OPENEN. De geactiveerde TTC-functie wordt overbrugd 2 seconden na de blokkering van de lichtbundel opgeheven en start de beweging SLUITEN, zonder te wachten tot de TTC-tijd is afgelopen.

7.7.4 Invoerinstellingen



De invoerfunctie bepaalt de manier waarop invoercommando's van externe accessoires worden uitgevoerd. Elk van de 3 invoeren kan afzonderlijk worden geprogrammeerd.

OPMERKING: Onder de instellingen "01", "02" en "03" wordt de TTC-timer overbrugd door een invoercommando en zal de poort SLUITEN. Onder instelling "06" wordt het aftellen van de actieve TTC-timer opnieuw ingesteld om opnieuw te starten door een invoercommando

7. PROGRAMMERING

01	Openen – Sluiten – Openen
02	Openen – Stop – Sluiten – Stop – Openen (standaard)
03	Openen – Stop – Sluiten – Openen
04	Gedeeltelijke opening motor 1 alleen
05	STOP (NC-contact)
06	Openen, tot volledig GEOPENDE positie. Extra openingscommando's gedurende de opening worden genegeerd
07	Sluiten, tot volledig GESLOTEN positie. Extra sluitingscommando's gedurende de sluiting worden genegeerd
08	Openen – Stop – Openen - Stop
09	Sluiten – Stop – Sluiten - Stop
10	Openen, ingedrukt houden om te draaien
11	Sluiten, ingedrukt houden om te draaien

7.7.5 Gedeeltelijke opening motor 1

Pd

Gedeeltelijke opening motor 1 geeft u de mogelijkheid om de actieve vleugel slechts tot een vooraf ingestelde waarde te openen.

OPMERKING: Pd-commando zal werken vanaf de eindpositie sluiten en gedurende de beweging sluiten. Als een Pd-commando wordt uitgevoerd vanuit een positie volledig OPENEN, zal de poort sluiten. Een open- of zendercommando zal altijd het Pd-commando overbruggen.

01	50% openingsslag
02	75% openingsslag (standaard)
03	100% openingsslag

- Houd tegelijkertijd de knoppen "S" en "+" ingedrukt, totdat het LED-lampje begint te knipperen.
- Houd de gewenste vrije knop op de zender ingedrukt om de gedeeltelijke openingsmodus te programmeren.
- Het ledlampje gaat uit wanneer de programmering is voltooid. Als er een lampje is aangesloten op het SPEC-contact, knippert het één keer.

7.7.6 Vertraging motor 2 in de richting openen

pd

De functie vertraging motor 2 in de richting OPENEN bepaalt de tijdsvertraging voor motor 2 in de richting OPENEN. Niet beschikbaar voor een toepassing met één motor. Niet uitgevoerd tijdens omkeren of na IR-straalonderbreking in beide richtingen.

00	geen vertraging (beide vleugels starten met openen op het zelfde moment)
01	1 seconde
02	2 seconden (standaard)
03	3 seconden
04	4 seconden

7.7.7 Vertraging motor 1 in de richting sluiten

dc

De functie vertraging motor 1 in de richting sluiten bepaalt de tijdsvertraging voor motor 1 in de richting SLUITEN. Niet beschikbaar voor een toepassing met één motor. Niet uitgevoerd tijdens omkeren of na IR-straalonderbreking in beide richtingen.

00	geen vertraging (beide vleugels starten op het zelfde moment)
01	1 seconde
02	2 seconden (standaard)
...	... seconden
20	20 seconden

7.7.8 Timer om te sluiten

tc

De functie "Timer om te sluiten" (TTC) maakt het mogelijk de poort automatisch te sluiten vanuit een positie volledig OPENEN na een vooraf ingestelde tijdsperiode. Minimaal één paar infrarood fotocellen (IR) van LiftMaster moet worden geïnstalleerd om de beweging sluiten te bewaken om TTC-bediening mogelijk te maken. TTC zal niet werken als IR alleen de beweging openen beschermt. TTC zal ook werken met geactiveerde gedeeltelijke opening. Als de TTC-functie actief is, de timer aan het aftellen is en de IR-stralen worden onderbroken, zal de TTC-timer opnieuw starten.

00	TTC niet actief (standaard)	05	1 minuut
01	10 seconden	06	1,5 minuten
02	20 seconden	07	2 minuten
03	30 seconden	08	3 minuten
04	45 seconden	09	5 minuten

7.7.9 Omkeertijd na impact

rt

De functie omkeertijd na botsing definieert het omkeergedrag na hindernisbelemmering tijdens de sluit- of openingsbeweging. Dit omkeergedrag geldt zowel voor de detectie van de motorkracht als voor de toepassing van de sluitkantbeveiliging.

01	2 seconden omkering en stop
02	Omkering terug naar de eindpositie (standaard)
03	Gedurende de beweging sluiten, keert de poort bij een impact om naar de positie openen. Gedurende de beweging openen, bij impact keert de poort gedurende 2 seconden om en stopt

7.7.10 E-vergrendeling/Magnetische vergrendeling instellingen

EL

De functie E-vergrendeling bepaalt het gedrag e-vergrendeling/magnetische vergrendeling. 24 V DC – 500 mA e-vergrendeling of magnetische vergrendeling kunnen worden aangesloten.

00	e-vergrendeling/magnetische vergrendeling niet geïnstalleerd (standaard)
01	e-vergrendeling actief gedurende 1 seconde voorafgaand aan motor 1 start in de richting openen
02	e-vergrendeling actief gedurende 2 seconden voorafgaand aan motor 1 start in de richting openen
03	Magnetische vergrendeling, constant actief bij poort GESLOTEN of constant inactief bij beweging OPENEN en SLUITEN, positie OPENEN of STOP van de poort. De magnetische vergrendeling wordt gedeactiveerd in batterij back-up modus.

7. PROGRAMMERING

7.7.10a Ontlasten motor 1 voor E-vergrendeling



Ontlasten motor 1 voor de functie e-vergrendeling maakt het mogelijk motor 1 kort in de richting SLUITEN te duwen alvorens de e-vergrendeling in te schakelen om overdruk op de e-vergrendeling te ontlasten.
Niet beschikbaar als EL-functie is ingesteld op "00" of "03" (e-vergrendeling niet aangesloten/magnetische vergrendeling aangesloten).

00	gedeactiveerd (standaard)
01	1 seconde geactiveerd
02	2 seconden geactiveerd

7.7.11 Knipperlicht instellingen



Met de knipperlichtfunctie kan worden gekozen welk type knipperlicht is aangesloten. 24 V DC- max 500 mA knipperlicht (FLA1-LED) kan worden aangesloten.

00	geen knipperlicht geïnstalleerd (standaard)
01	continue 24 V voeding - voor knipperlicht met eigen bedieningspaneel (FLA1-LED)
02	onderbroken 24 V voeding - voor knipperlicht zonder eigen bedieningspaneel

7.7.11a Vooraf knipperen



Het vooraf knipperen bepaalt het tijdsinterval van het vooraf knipperen van het knipperlicht vóór de poortbeweging. Functie niet actief indien de functie knipperlicht (FL) op "00" staat.

00	Geen vooraf knipperen (standaard)	03	3 seconden
01	1 seconde	04	4 seconden
02	2 seconden	05	5 seconden

7.7.15 Met wachtwoord beveiligde functies en instellingen

7.7.15a Wachtwoordinstellingen



De leerfase moet zijn voltooid en het wachtwoord moet zijn ingesteld voordat u wijzigingen kunt aanbrengen in functies die met een wachtwoord zijn beveiligd, zoals kracht en snelheid.

Kies de functie "PS" om het wachtwoord te programmeren.

OPMERKING: "00" kan niet worden gebruikt als wachtwoord. Het wordt alleen gebruikt als standaardinstelling.

Functies die met een wachtwoord zijn beveiligd, zijn niet toegankelijk als het nieuwe wachtwoord niet is ingesteld.

Een wachtwoord is nodig om beschermde functies te wijzigen na de instelling.

Nieuw wachtwoord instellen:

1. Kies de functie "PS" en druk op de knop "P".
2. "00" knippert op het display.
3. Gebruik de knoppen "+" en "-" om het nieuwe wachtwoord in te stellen.
4. Druk op de knop "P".
5. De nieuwe ingestelde wachtwoordwaarde blijft 2 seconden op het display staan. Vervolgens verandert het display naar "PS".

Noteer uw paswoord waar het later kan worden teruggevonden.

7.7.12 Speciale contactinstellingen



De speciale contactfunctie bepaalt de activeringstijd van het relais. Een 24 V max. 500 mA relais kan worden aangesloten om andere apparaten te beheren, bijv. een courtesy light. De hier ingestelde tijd regelt ook het aftellen van de myQ-lamp voor de afstandsbediening.

00	geen activatie (standaard)	05	1,5 minuten
01	15 seconden	06	2 minuten
02	30 seconden	07	3 minuten
03	45 seconden	08	4 minuten
04	1 minuut	09	5 minuten

7.7.13 Startsnellheid in open en gesloten richtingen



Met de functie startsnellheid kan de soft-start in de richtingen OPENEN en SLUITEN worden IN- en UITgeschakeld.

00	gedeactiveerd (standaard)
01	Soft-start actief: motoren versnellen geleidelijk tot ze de standaardsnelheid bereiken.
02	Harde start actief, de motoren zullen starten met de normale snelheid en gedurende de eerste seconde wordt geen rekening gehouden met de krachtensor.

7.7.14 Onderhoudsteller



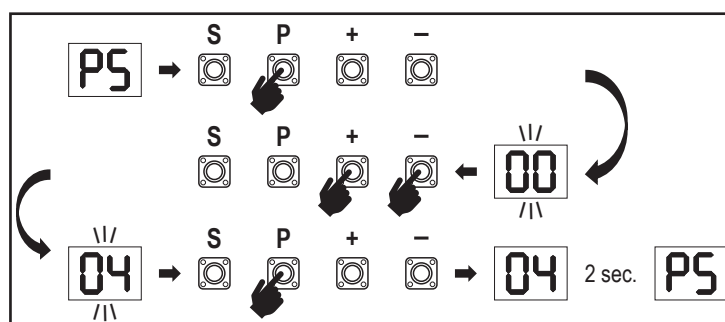
Met de functie onderhoudsteller kan het onderhoudsinterval in cycli worden ingesteld. Het 4 seconden vooraf knipperen van het knipperlicht is een signaal dat het interval is bereikt. Als de PF-functie (vooraf knipperen) actief is, wordt er 4 seconden vooraf knipperen aan de ingestelde tijd toegevoegd. Om de teller te resetten nadat het onderhoud is uitgevoerd, volstaat het de cycli nog een keer te programmeren.

00	geen teller (standaard) cycli
01	1.000 cycli	20	20.000 cycli
02	2.000 cycli		

AANDACHT

Elke wijziging in de met een wachtwoord beveiligde functies (kracht en snelheid) vereist een controle van de snelheid en kracht overeenkomstig EN 12453, EN 60335-2-103.

00	Geen wachtwoord geselecteerd (standaard)
01 → 02 → → 99	Selectie beschikbaar



7. PROGRAMMERING

7.7.15b Wachtwoordgebruik

1. Kies de functie "PS" en druk op de knop "P".
2. "00" knippert op het display.
3. Gebruik de knoppen "+" en "-" om het juiste wachtwoord in te voeren en druk op de knop "P" om te bevestigen.
4. Als het juiste wachtwoord is ingevoerd, toont het display de waarde gedurende 2 seconden en verandert in "PS".
5. Kies de beveiligde functie die u wilt instellen.

OPMERKING: Indien het ingevoerde paswoord niet juist is, zal "00" gedurende 5 seconden knipperen, en dan veranderen in "PS". Gebruik het juiste wachtwoord voor toegang tot beveiligde functies.

Aandacht: De met een wachtwoord beveiligde geavanceerde instellingen kunnen alleen door een opgeleide professional worden uitgevoerd. De vereisten van de EU: EN 12453, EN 13241; GB (VK, NI): BS EN 12453, BS EN 13241 moeten worden vervuld.

7.7.15c Wachtwoord wijzigen

1. Kies de functie "PS" en druk op de knop "P".
2. "00" knippert op het display.
3. Gebruik de knoppen "+" of "-" om het huidige wachtwoord in te voeren en druk op de knop "S". De waarde begint te knipperen.
4. Gebruik de knoppen "+" of "-" om het NIEUWE wachtwoord in te voeren en druk op de knop "P".
5. De gewijzigde wachtwoordwaarde blijft 2 seconden op het display staan. Vervolgens verandert het display naar "PS".

OPMERKING: als een verkeerd (huidig) wachtwoord werd ingevoerd, knippert "00" gedurende 5 seconden en verandert in "PS". Wachtwoord is niet gewijzigd.

Als het wachtwoord verloren is gegaan, gebruikt u de functie fabrieksinstellingen (Fd) om terug te keren naar de standaardinstellingen. Alle instellingen (behalve het radiogeheugen) worden gewist. Zie pagina 18.

7.7.15d Kracht motoren 1 en 2 in de richtingen openen en sluiten

F1

Kracht motor 1 in de richting OPENEN

Kracht motor 1 in de richting OPENEN maakt krachtaanpassing mogelijk bovenop de kracht die tijdens de leerfase is ingesteld. Voor toegang tot deze functie moet een wachtwoord worden ingevoerd.

00	Standaardkracht (standaard)	02	+30%
01	+15%	03	+50%

Kracht motor 1 in de richting SLUITEN

F2

Kracht motor 1 in de richting SLUITEN maakt krachtaanpassing mogelijk bovenop de kracht die tijdens de leerfase is ingesteld. Voor toegang tot deze functie moet een wachtwoord worden ingevoerd.

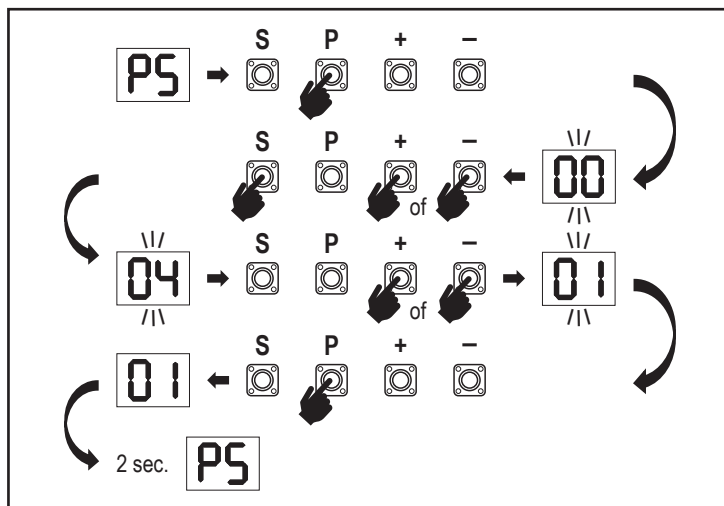
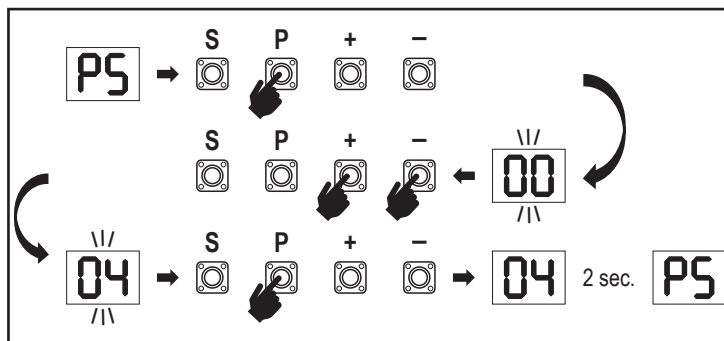
00	Standaardkracht (standaard)	02	+30%
01	+15%	03	+50%

Kracht motor 2 in de richting OPENEN

F3

Kracht motor 2 in de richting OPENEN maakt krachtaanpassing mogelijk bovenop de kracht die tijdens de leerfase is ingesteld. Voor toegang tot deze functie moet een wachtwoord worden ingevoerd.

00	Standaardkracht (standaard)	02	+30%
01	+15%	03	+50%



Kracht motor 2 in de richting SLUITEN

F4

Kracht Motor 2 in de richting SLUITEN maakt het mogelijk de kracht aan te passen bovenop de kracht die is ingesteld tijdens de leerfase. Het wachtwoord moet worden ingevoerd om toegang te krijgen tot deze functie.

00	Standaardkracht (standaard)	02	+30%
01	+15%	03	+50%

7.7.15e Snelheid motoren 1 en 2 in de richtingen openen en sluiten

S1

Snelheid motoren 1 en 2 in de richting OPENEN

Snelheid motor 1 en 2 in de richting OPENEN maakt aanpassing van de openingssnelheid mogelijk ten opzichte van de snelheid ingesteld tijdens de leerfase. Voor toegang tot deze functie moet een wachtwoord worden ingevoerd.

00	Standaard snelheid (standaard)	04	+50%
01	+10%	05	-10%
02	+20%	06	-20%
03	+30%		

7. PROGRAMMERING

Snelheid motor 1 & 2 in de richting SLUITEN

52

Snelheid motor 1 en 2 in de richting SLUITEN maakt het mogelijk de sluitsnelheid aan te passen ten opzichte van de snelheid ingesteld tijdens de Leerfase. Voor toegang tot deze functie moet een wachtwoord worden ingevoerd.

00	Standaardsnelheid (standaard)	04	+50%
01	+10%	05	-10%
02	+20%	06	-20%
03	+30%		

7.7.15f Soft-stopsnelheid

SF

Met de functie soft-stopsnelheid kan de soft-stopsnelheid worden aangepast ten opzichte van de standaardwaarden die tijdens de leerfase zijn ingesteld. De soft-stopsnelheid is 50% van de standaardsnelheid, zoals standaard ingesteld. De standaard snelheidsverandering heeft invloed op de soft-stopsnelheid. Voor toegang tot deze functie moet een wachtwoord worden ingevoerd.

00	Standaardsnelheid (standaard)	04	-50%
01	-10%	05	+10%
02	-20%	06	+20%
03	-30%		

8. BATTERIJBACK-UP

Batterijback-upmodus

BU

2 Optionele 12 V, 2,2 Ah loodbatterijen SKU 490EV (optioneel, niet inbegrepen) kunnen in de E-box worden gemonteerd. Volg de handleiding van SKU 490EV voor de exacte installatieprocedure. Een knipperlicht (indien gemonteerd) knippert 2 seconden om de 10 minuten om de BBU-modus en stroomverlies aan te geven. Het bedieningspaneel schakelt over naar de stand-by modus met actieve radio-ontvanger die alleen commando's van radiobedieningsapparatuur accepteert. Alle andere accessoires en randapparatuur zullen niet functioneren.

Als de batterijback-upmodus is ingeschakeld, zijn de bediening van de myQ-smartphone en draadloze myQ-apparaten uitgeschakeld. Een volledig opgeladen batterij kan tot ~20 cycli aan met een snelheid van 2 per uur. Na 24 uur BBU-modus moet de batterij stroom leveren voor 1 volledige openings- en sluitingscyclus. Let erop dat alleen de gespecificeerde batterij kan worden gebruikt. Gebruik van een andere batterij leidt tot verlies van garantie en verlies van aansprakelijkheid van LiftMaster voor eventuele gerelateerde schade als gevolg van het gebruik van niet-gespecificeerde batterijen.

9. FOUTCODES

LED	Foutcode	Probleem	Mogelijke reden	Oplossing
E0	E0	Druk op de zender, maar geen poortbeweging	AP is ingesteld op 00	Controleer of AP is ingesteld op 00. Indien ja, wijzig dan de juiste applicatie-instelling.
E1	E1	Poort kan niet sluiten, maar kan openen.	1) IR1 is niet aangesloten, of de draad is afgesneden. 2) IR1 draad is kortgesloten of omgekeerd aangesloten. 3) IR1 is momenteel niet uitgelijnd of geblokkeerd.	1) Controleer of IR1 niet is aangesloten, of de draad is afgesneden. 2) Controleer de IR1 aansluiting, verander indien nodig de draden. 3) Lijn de IR-zender en ontvanger uit om er zeker van te zijn dat beide leds aan zijn, in plaats van te knipperen. Zorg ervoor dat er niets aan de poort hangt dat de IR-blokking kan veroorzaken.
E2	E2	De poort kan sluiten wanneer ze aan de limiet openen staat, maar kan niet openen wanneer ze aan de limiet sluiten staat.	1) IR2 is niet aangesloten, of de draad is afgesneden. 2) IR2 draad is kortgesloten of omgekeerd aangesloten. 3) IR2 is momenteel niet uitgelijnd of geblokkeerd.	1) Controleer of IR2 niet is aangesloten, of de draad is afgesneden. 2) Controleer de IR2 aansluiting, verander indien nodig de draden. 3) Lijn de IR-zender en ontvanger uit om er zeker van te zijn dat beide leds aan zijn, in plaats van te knipperen. Zorg ervoor dat er niets de IR blokkeert.
E3	E3	Druk op de zender, maar geen poortbeweging.	1) IR3 is niet aangesloten, of de draad is afgesneden. 2) IR3 draad is kortgesloten of omgekeerd aangesloten. 3) IR3 is momenteel niet uitgelijnd of geblokkeerd.	1) Controleer of IR3 niet is aangesloten, of de draad is afgesneden. 2) Controleer de IR3 aansluiting, verander indien nodig de draden. 3) Lijn de IR-zender en ontvanger uit om er zeker van te zijn dat beide leds aan zijn, in plaats van te knipperen. Zorg ervoor dat er niets aan de poort hangt dat op korte termijn de IR-blokking kan veroorzaken.
E4	E4	Druk op de zender, maar geen poortbeweging.	1) De sluitkantbeveiliging is niet aangesloten met een weerstand van 8,2 kOhm. 2) De draad van de sluitkantbeveiliging is kortgesloten. 3) De sluitkantbeveiliging is ingedrukt.	1) Controleer of de 8,2 kOhm sluitkantbeveiliging goed is aangesloten en of de 8,2 kOhm weerstand is geïnstalleerd. 2) Controleer de draden van de sluitkantbeveiliging en vervang ze indien nodig. 3) Controleer of de sluitkantbeveiliging is ingedrukt.

7.8 Standaard fabrieksinstellingen

Fd

Met de fabrieksinstelling wordt de besturingskaart gereset naar de oorspronkelijke fabrieksinstellingen. Alle instellingen, inclusief de limietinstellingen, worden gewist. Het led display zal "E0" weergeven. Geprogrammeerde afstandsbedieningen zullen geleerd blijven. Als accessoires van de afstandsbediening moeten worden gewist, raadpleeg dan de sectie over de programmering van de afstandsbediening in deze handleiding.

00	geen reset (standaard)
01	Resetten naar standaard fabrieksinstellingen

7.9 Beëindigen en verlaten

FE

Om de programmeerfase te verlaten en alle wijzigingen op te slaan, gaat u naar de FE-functie en drukt u op de knop "P". Het bedieningspaneel gaat in de stand-by modus en is klaar om te werken.

Er zijn ook andere manieren om de programmering te verlaten en de instellingen op te slaan:

- Houd de knop "P" gedurende > 5 seconden ingedrukt
- Wacht 3 minuten na de laatste wijzigingen in de programmering voor automatisch verlaten

9. FOUTCODES

LED	Foutcode	Probleem	Mogelijke reden	Oplossing
E5	E5	Druk op de zender, maar geen poortbeweging.	1) De STOP-schakelaar is open.	1) Controleer of de STOP-schakelaar open of beschadigd is.
			2) De STOP-schakelaar is niet aangesloten.	2) Controleer of de STOP-schakelaar is losgekoppeld. Indien ja, sluit dan de STOP-schakelaar opnieuw aan of verander de betreffende invoersinstelling in een andere waarde.
E7	E7	Druk op de zender, maar geen poortbeweging.	De versterker van het bedieningspaneel voor motor 1 is defect.	Schakel de stroom gedurende 20 seconden uit en reset om te controleren of het bedieningspaneel zich herstelt. Indien niet, verander het bedieningspaneel.
E8	E8	Druk op de zender, maar geen poortbeweging.	De versterker van het bedieningspaneel voor motor 2 is defect.	Schakel de stroom gedurende 20 seconden uit en reset om te controleren of het bedieningspaneel zich herstelt. Indien niet, verander het bedieningspaneel.
E9	E9	Druk op de zender, maar geen poortbeweging.	Vergissing in het geheugen van het bedieningspaneel.	Schakel de stroom gedurende 20 seconden uit en reset om te controleren of het bedieningspaneel zich herstelt. Indien niet, verander het bedieningspaneel.
F1	F1	Motor 1 stopt en keert om tijdens het openen of sluiten.	Motor 1 is geblokkeerd.	Controleer en verwijder de blokkering. Reinig de poort.
F2	F2	Motor 2 stopt en keert om tijdens het openen of sluiten.	Motor 2 is geblokkeerd.	Controleer en verwijder de blokkering. Reinig de poort.
F3	F3	Motor 1 stopt en keert om tijdens het openen of sluiten.	Motor 1 blokkeert of de snelheidssensor is beschadigd.	Controleer of motor 1 blokkeert of dat de snelheidssensor is beschadigd.
F4	F4	Motor 2 stopt en keert om tijdens het openen of sluiten.	Motor 2 blokkeert of de snelheidssensor is beschadigd.	Controleer of motor 2 blokkeert of dat de snelheidssensor is beschadigd.
F5	F5	Druk op de zender, maar de motor heeft geen actie.	Radiomodule defect.	Schakel de stroom gedurende 20 seconden uit en reset om te controleren of het bedieningspaneel zich herstelt. Indien niet, verander het bedieningspaneel.
F6	F6	Poort gaat achteruit tijdens het sluiten.	Laag batterijvermogen.	Laad de batterij op.
F7	F7	Druk op de zender, maar geen poortbeweging.	Het bedieningspaneel is beschadigd.	Schakel de stroom gedurende 20 seconden uit en reset om te controleren of het bedieningspaneel zich herstelt. Indien niet, verander het bedieningspaneel.
F9	F9	Druk op de zender of druk op de knop, maar de motor heeft geen actie.	AP-menu is gereset naar standaard fabrieksinstellingen.	Leer de limieten opnieuw.
LE	LE	De motor stopt plotseling.	Druk op de knop C button tijdens het leren van de limieten.	Leer de limieten opnieuw.

10 TECHNISCHE GEGEVENS

		AA250EVK		AA250EVK	
Invoerspanning	VAC	220-240	Vermogen externe accessoires	24 VDC - max. 500 mA	
Invoerfrequentie	Hz	50/60	Aansluiting knipperlicht	24 VDC - max. 500 mA	
Motorspanning	VDC	24 V	Aansluiting E-vergrendeling/magneti- sche vergrendeling	24 VDC - max. 500 mA	
"Stand-by verbruik (zonder accessoires)"	W	3,2	Externe relais	24 VDC - max. 500 mA	
Nominaal motorvermogen	W	100 W (AA250-24P) 50W (AA250-24S)	Sluitkantbeveiliging	8,2 kOhm	
Nominale belasting	Nm	72,4	Max. aantal IR's	3	
Maximaal koppel	Nm	200	Max. aantal externe ingangen	3	
Cycli per uur		10	Batterijback-upeenheid	2 x 12 V, 2,2 Ah batterijen model 490EV	
Max. cycli per dag		30	Bescherming tegen binnendringing motor	IP	
Max. breedte/gewicht van de vleugel	m/kg	1,5 m/250 kg 2,0 m/200 kg 2,5 m/150 kg	Geluidsniveau	dB	< 70 db(A)
			Bedrijfstemperatuur	°C	-20 °C tot 55 °C
Max. openingshoek		120°	Gewicht (kit)	kg	20
Tijd om te openen tot 90°	s	13-15	Zenderfrequentie	TX4EVF	868 MHz (868,30 MHz, 868,95 MHz, 869,85 MHz)
Eindlimiet systeem		Encoder met harde aanslagen	Zendvermogen		<10 mW
Werkende Radiofrequentie	MHz	RX 433 MHz (433,30 MHz, 433,92 MHz, 434,54 MHz) RX 868 MHz (868,30 MHz, 868,95 MHz, 869,85 MHz) TX 865,125 MHz, 865,829 MHz, 866,587 MHz <10 mW	Batterij		CR2032 3V
Zendvermogen					
Code		Security+ 2,0			
Max. aantal afstandsbedieningen		180			
Max. nr. toetsenborden		4			
Max. aantal myQ-apparaten		16			

11. ONDERHOUD

Batterijen in de afstandsbediening vervangen

Batterij van de afstandsbediening:

De batterijen in de afstandsbediening hebben een extreem lange levensduur. Als het zendbereik afneemt, moeten de batterijen worden vervangen. Batterijen vallen niet onder de garantie.

Neem de volgende instructies voor de batterij in acht:

Batterijen mogen niet als huishoudelijk afval worden behandeld. Alle consumenten zijn wettelijk verplicht batterijen op de juiste wijze in te leveren bij de aangewezen inzamelpunten. Laad nooit batterijen op die niet bedoeld zijn om te worden opgeladen.

Explosiegevaar!

Houd batterijen uit de buurt van kinderen, sluit ze niet kort en haal ze niet uit elkaar. Ga onmiddellijk naar een dokter als een batterij is ingeslikt. Reinig, indien nodig, de contacten van de batterij en de apparaten alvorens ze te laden. Verwijder lege batterijen onmiddellijk uit het apparaat!

Verhoogd risico op lekkage!

Stel batterijen nooit bloot aan overmatige hitte, zoals zonneschijn, vuur en dergelijke!

Er is een verhoogd risico op lekkage!

Vermijd aanraking met de huid, ogen en mond. Spoel de door het accuzuur aangetaste delen af met veel koud water en raadpleeg onmiddellijk een arts. Gebruik alleen batterijen van hetzelfde type. Verwijder de batterijen als het apparaat lange tijd niet wordt gebruikt.

Een batterij vervangen:

Om de batterij te vervangen, draait u de afstandsbediening om en opent u de behuizing met een schroevendraaier. Til de afdekking op en til het bedieningspaneel naar beneden. Schuif de batterij naar één kant en verwijder ze. Let op de polariteit van de batterij! Monteer opnieuw in omgekeerde richting.

AANDACHT!

Explosiegevaar als de batterij op onjuiste wijze wordt vervangen. Alleen te vervangen door identiek of gelijkwaardig type (CR2032) 3 V.

VOORZICHTIG

Er bestaat explosiegevaar als de batterij wordt vervangen door een onjuist type.

Slik de batterij niet in, gevaar voor chemische brandwonden.

Dit product bevat een muntbatterij. Knoopbatterijen kunnen bij inslikken letsels of zelfs de dood veroorzaken.

WAARSCHUWING

- Houd batterijen uit het zicht en buiten het bereik van kinderen, knoop-/muntbatterijen kunnen gevaarlijk zijn voor kinderen.
- Voer gebruikte knoopbatterijen onmiddellijk af. Gebruik geen defecte/ingeslikte batterijen.
- Controleer regelmatig of het batterijcompartiment goed dicht zit, stop het gebruik bij een defect.
- Als batterijen zijn ingeslikt of in een deel van het lichaam zijn geplaatst, dient u onmiddellijk medische hulp in te roepen.



Het aandrijvingsmechanisme

Het aandrijvingsmechanisme is onderhoudsvrij. Controleer regelmatig (maandelijks) of het beslag van de poort en de aandrijving goed vastzitten. Laat de aandrijving los en controleer of de poort goed functioneert. Als de poort niet soepel loopt, zal het niet juist werken met het aandrijfmechanisme. De aandrijving kan de problemen veroorzaakt door een niet juist werkende poort niet elimineren.


Eindschakelaar afstelling en krachtregeling

Deze instellingen moeten tijdens de installatie van de opener worden gecontroleerd en juist worden uitgevoerd! Als gevolg van verwerking kunnen zich tijdens de werking van de opener kleine veranderingen voordoen die door een nieuwe instelling moeten worden aangepakt. Dit kan vooral in het eerste bedrijfsjaar gebeuren. Volg de instructies voor het instellen van de slaggrenzen en de kracht (zie sectie beperkte leerfase, pagina 11 en 12) zorgvuldig op en controleer de automatische veiligheidsomkering na elke reset opnieuw!

Demontage

BELANGRIJKE opmerking! Volg de veiligheidsvoorschriften. Zie "veiligheidsinstructies" (pagina 2 en 3). De volgorde beschreven in de sectie "installatie", maar in omgekeerde volgorde. Negeer de installatie-instructies.

12. AFVOEREN

 Onze elektrische en elektronische apparatuur mag niet met het huisvuil worden afgevoerd en moet na gebruik op de juiste wijze worden afgevoerd in overeenstemming met de WEEE-richtlijn EU: 2012/19/EU; GB VK(NI): SI 2012 nr. 19 op afgedankte elektrische en elektronische apparatuur, om ervoor te zorgen dat de materialen worden gerecycleerd. Gescheiden inzameling van afgedankte elektrische apparatuur betekent milieuvriendelijke afvoer en is voor de consument volledig kosteloos. WEEE reg. nr. in Duitsland: DE66256568. Verpakkingsafval dat bij de eindverbruiker achterblijft, moet overeenkomstig de richtlijn gescheiden van gemengd afval worden ingezameld. Verpakkingen mogen niet samen met huisvuil, organisch afval of in de natuur worden afgevoerd. Verpakkingsmateriaal moet op basis van het materiaal worden gescheiden en worden afgevoerd in de daarvoor bestemde recyclingcontainers en in bepaalde gemeentelijke recyclingbakken.

 Onze batterijen worden in overeenstemming met de wet op de markt gebracht. De "doorgestreepte vuilnisbak" geeft aan dat batterijen niet bij het huisvuil mogen. Batterijen inbegrepen in het product (technische gegevens). Om te voorkomen dat het milieu of de volksgezondheid schade wordt berokkend, moeten gebruikte batterijen worden ingeleverd bij recyclingcentra van de gemeente of via de detailhandel, zoals wettelijk is voorgeschreven, voor gereguleerde afvoer. Batterijen mogen alleen voor afvoer worden meegenomen als zij volledig ontladen en, in het geval van lithiumbatterijen, met de aansluitklemmen dichtgeplakt zijn. De batterijen kunnen gemakkelijk uit onze apparatuur worden verwijderd voor afvoer. Registratienummer in Duitsland: 21002670.

13. GARANTIE

Uw wettelijke rechten worden door deze fabrieksgarantie niet aangetast. Zie www.liftmaster.eu voor de garantievoorwaarden.

14. CONFORMITEITSVERKLARING

De handleiding bestaat uit deze bedieningsinstructies en de conformiteitsverklaring.

Het type radioapparatuur (TX4EVF) is in overeenstemming met Richtlijn 2014/53/EU en voor het VK met de verordening voor de radioapparatuur SI 2017 nr. 1209.

De volledige tekst van de EU-conformiteitsverklaring is beschikbaar op het volgende internetadres: <https://doc.chamberlain.de>

INHALTSVERZEICHNIS

HINWEIS: Die Montage- und Bedienungsanleitung wurde zunächst auf Englisch verfasst. Bei Anleitungen in anderen Sprachen handelt es sich um Übersetzungen des englischen Original-Dokuments.

1. SICHERHEITSVORSCHRIFTEN UND BESTIMMUNGSGEMÄÑE VERWENDUNG.....	2
2. LIEFERUMFANG.....	4
3. BENÖTIGTE WERKZEUGE.....	4
4. ÜBERSICHT DER TORANTRIEBE.....	4
5. MECHANISCHE MONTAGE.....	5
5.1 Abmessungen von Tor und Antrieb.....	5
5.2 Bestimmen der Position der Pfostenhalterung.....	5
5.3 Montage der Pfostenhalterung.....	6
5.4 Montage des Antriebs und Einstellung der Fahrstrecke.....	6
5.5 Notentriegelung.....	8
5.6 Montage der Steuerung und Motorverkabelung.....	8
5.7 Leitungsverlegung und Netzanschluss.....	8
6. SCHALTPLAN.....	9
7. PROGRAMMIERUNG.....	10
7.1 Display, Programmier Tasten und Funktionseinstellung.....	10
7.2 Allgemeiner Überblick über die Programmierung.....	10
7.3 Richtung der Flügelbewegungen.....	11
7.4 Grundeinstellungen.....	11
7.4.1 Anwendungseinstellungen.....	11
7.4.2 Einstellungen Motordrehrichtung 1.....	11
7.4.3 Einstellungen Motordrehrichtung 2.....	11
7.4.4 Endpositionen Einlernen.....	11
7.5 Standby-Modus.....	12
7.6 Programmierung und Löschung von Handsender, Funkzubehör und myQ-Geräten.....	13
7.7 Erweiterte Einstellungen.....	14
7.7.1 Übersicht Erweiterte Einstellungen.....	14
7.7.2 Handsendereinstellungen.....	14
7.7.3 Infrarot-Lichtschraken Einstellungen.....	14
7.7.4 Befehlsgebereinstellungen.....	14
7.7.5 Teilöffnung Motor 1.....	15
7.7.6 Verzögerung Motor 2 in Öffnungsrichtung.....	15
7.7.7 Verzögerung Motor 1 in Schließrichtung.....	15
7.7.8 Automatisches Schließen (TTC).....	15
7.7.9 Reversierungsverhalten bei Hinderniserkennung.....	15
7.7.10 Elektroschloss /Magnetschloss Einstellungen.....	15
7.7.10a Entlastung Motor 1 für Elektroschloss.....	16
7.7.11 Einstellungen der Blinkleuchte.....	16
7.7.11a Vorblinken.....	16
7.7.12 Relais-Kontakt Einstellungen (SPEC).....	16
7.7.13 Startgeschwindigkeit in Öffnungs- und Schließrichtung.....	16
7.7.14 Wartungszähler.....	16
7.7.15 Kennwortgeschützte Funktionen und Einstellungen.....	16
7.7.15a Kennwort einrichten.....	16
7.7.15b Verwendung des Kennworts.....	17
7.7.15c Kennwort ändern.....	17
7.7.15d Kranfeinstellungen Motor 1 und 2 in Öffnungs- und Schließrichtung.....	17
7.7.15e Geschwindigkeitseinstellungen Motor 1 und 2 in Öffnungs- und Schließrichtung.....	17
7.7.15f Soft-Stop Geschwindigkeit.....	18
7.8 Werkseitige Standardeinstellungen.....	18
7.9 Fertigstellen und Beenden.....	18
8. BATTERIE-BACKUP.....	18
9. FEHLERCODES.....	18
10. TECHNISCHE SPEZIFIKATIONEN.....	19
11. WARTUNG.....	20
12. ENTSORGUNG.....	20
13. GARANTIE.....	20
14. KONFORMITÄT SERKLÄRUNG.....	20

1. SICHERHEITSVORSCHRIFTEN UND BESTIMMUNGSGEMÄSSE VERWENDUNG

Über dieses Handbuch - Originalhandbuch

Diese Anleitung ist die Originalbetriebsanleitung gemäß der Maschinenrichtlinie 2006/42 EG. Die Bedienungsanleitung muss sorgfältig gelesen werden, um wichtige Informationen zum Produkt zu verstehen. Achten Sie auf die Sicherheits- und Warnhinweise. Bewahren Sie das Handbuch an einem sicheren Ort auf, damit Sie später darin nachschlagen können und es allen Personen für Inspektion, Service, Wartung und Reparatur zur Verfügung steht. Übergeben Sie nach der Montage die vollständige Dokumentation an die verantwortliche Person/den Eigentümer.

Qualifizierung eines kompetenten Installateurs

Nur eine ordnungsgemäße Montage und Wartung durch einen kompetenten Installateur (Fachkraft) / eine kompetente Firma, entsprechend der Anleitung, ist für die sichere und bestimmungsgemäße Funktion der Anlage maßgeblich. Fachkraft ist, wer aufgrund seiner fachlichen Ausbildung und Erfahrung ausreichende Kenntnisse auf dem Gebiet der Torantriebe hat und darüber hinaus mit den einschlägigen staatlichen Arbeitsschutzvorschriften und allgemein anerkannten Regeln der Technik soweit vertraut ist, dass er den arbeitssicheren Zustand von Torantrieben nach EN 13241, 12604, 12453 (EN12635) beurteilen kann.

Der Installateur muss Folgendes verstehen:

Überprüfen Sie vor dem Einbau des Antriebs, ob sich der angetriebene Teil in gutem mechanischen Zustand befindet, ordnungsgemäß öffnet und schließt und ggf. korrekt ausgewuchtet ist.

Vor der ersten Inbetriebnahme und mindestens einmal jährlich muss ein Fachmann das motorbetriebene Tor auf seinen sicheren Zustand prüfen. Nach dem Einbau muss sich der Monteur vergewissern, dass der Mechanismus richtig eingestellt ist und dass das Schutzsystem und eine eventuelle Handauslösung korrekt funktionieren (EN 13241, EN12604, EN 12453, EN 12635). Es muss eine regelmäßige Wartung und Inspektion gemäß den Normen durchgeführt werden. Der Installateur muss andere Benutzer in den sicheren Betrieb des Antriebssystems einweisen.

Nach erfolgreicher Montage des Antriebssystems muss der verantwortliche Installateur in Übereinstimmung mit der Maschinenrichtlinie 2006/42/EG die CE Konformitätserklärung für die Toranlage ausstellen. Das CE-Zeichen muss an der Toranlage angebracht werden. Dies ist auch bei der Nachrüstung eines handbetätigten Tores obligatorisch. Außerdem müssen Dokumente übergeben und ein Prüfbuch ausgefüllt werden.

Bitte lesen Sie die Betriebsanleitung und insbesondere die Sicherheitshinweise. Die folgenden Symbole stehen vor den Anweisungen, um Personen- oder Sachschäden zu vermeiden. Lesen Sie diese Anweisungen sorgfältig durch.

Warnsymbole

Das allgemeine Warnsymbol weist auf eine Gefahr hin, die zu Verletzungen oder zum Tod führen kann. Im Textteil werden die allgemeinen Warnsymbole wie unten beschrieben verwendet.

GEFAHR-Symbol	WARNUNG-Symbol	VORSICHT-Symbol	ACHTUNG-Symbol
 GEFAHR	 WARNUNG	 VORSICHT	ACHTUNG
Weist auf eine Gefahr hin, die unmittelbar zum Tod oder zu schweren Verletzungen führt.	Weist auf eine Gefahr hin, die zum Tod oder zu schweren Verletzungen führen kann.	Weist auf eine Gefahr hin, die zu einer Beschädigung oder Zerstörung des Produkts führen kann.	Weist auf eine Gefahr hin, die zu einer Beschädigung oder Zerstörung des Produkts führen kann.

Verwendungszweck

Der Drehorantrieb ist ausschließlich für den Betrieb von leichtgängigen Drehtoren im privaten, nichtgewerblichen Bereich konzipiert und geprüft.

Die Spezifikationen für Tore sind unter den mechanischen Anforderungen gemäß EN12604 definiert.

Die maximal zulässige Torgröße und das maximale Gewicht dürfen nicht überschritten werden. Das Tor muss sich leichtgängig von Hand öffnen und schließen lassen. Verwenden Sie den Antrieb an Toren, die den geltenden Normen und Richtlinien entsprechen. Bei der Verwendung von Tooren müssen die regionalen Bedingungen für Windlasten berücksichtigt werden: EN13241. Beachten Sie die Angaben des Herstellers zur Kombination von Tor und Antrieb. Mögliche Gefährdungen im Sinne der EN13241 / GB sind zu vermeiden, indem das Tor gemäß den entsprechenden Anweisungen entworfen und eingebaut wird. Dieser Tormechanismus muss unter Beachtung der entsprechenden Sicherheitsvorschriften installiert und betrieben werden.

Unsachgemäße Verwendung

Das Antriebssystem ist nicht für den Dauerbetrieb und den Einsatz in einer gewerblichen Anwendung vorgesehen.

Die Konstruktion des Antriebssystems ist nicht für den Betrieb von Toren außerhalb der Herstellerspezifikation ausgelegt.

Bei Toren, die mit Steigung/Gefälle laufen, ist der Betrieb nicht erlaubt.

Jede unsachgemäße Verwendung des Antriebssystems kann das Unfallrisiko erhöhen. Der Hersteller übernimmt keine Haftung für eine solche Verwendung. Mit diesem Antrieb müssen automatisierte Tore den aktuellen, gültigen internationalen und länderspezifischen/lokalen Normen, Richtlinien und Vorschriften entsprechen (EN 13241, EN12604, EN 12453).

Nur LiftMaster- und zugelassenes Zubehör darf an den Antrieb angeschlossen werden. Eine unsachgemäße Montage und/oder die Nichtbeachtung der folgenden Anweisungen kann zu schweren Personen- oder Sachschäden führen.

Toranlagen, die sich in öffentlichen Bereichen befinden und nur eine Kraftbegrenzung haben, können nur unter voller Aufsicht betrieben werden.

Zusätzliche Sicherheitsvorrichtungen sollten in Übereinstimmung mit der EN12453 in Betracht gezogen werden.

1. SICHERHEITSVORSCHRIFTEN UND BESTIMMUNGSGEMÄSSE VERWENDUNG

Während des Betriebs darf das Tor auf keinen Fall öffentliche Wege und Straßen behindern (öffentlicher Bereich).

Seien Sie vorsichtig, wenn Sie bei der Montage oder bei Reparaturarbeiten an einem Tor mit Werkzeugen und Kleinteilen arbeiten, und tragen Sie keine Ringe, Uhren oder lose Kleidung.

Um schwere Verletzungen durch Einklemmen zu vermeiden, entfernen Sie alle am Tor angebrachten Verriegelungen, um eine Beschädigung des Tores zu verhindern.

Die Montage und Verkabelung muss in Übereinstimmung mit den örtlichen Bau- und Elektromontagenvorschriften erfolgen. Netzkabel dürfen nur an eine ordnungsgemäß geerdete Stromversorgung angeschlossen werden.

Trennen Sie das System vor der Montage, Wartung, Reparatur oder dem Entfernen von Abdeckungen von der Spannungsversorgung. Es muss eine Isoliervorrichtung für die Netzstromversorgung (festverdrahtete Montage) vorgesehen werden, um eine allpolige Abschaltung zu gewährleisten (Trennschalter oder separate Sicherung). Die Reparaturen und elektrischen Montagen dürfen nur von einem autorisierten Elektriker durchgeführt werden. Für den Notfall muss auf der Grundlage der Risikobewertung ein Notausschalter installiert werden.

Stellen Sie sicher, dass ein Einklemmen zwischen dem angetriebenen Teil und den umgebenden festen Teilen aufgrund der Öffnungsbewegung des angetriebenen Teils vermieden wird, indem Sie die vorgegebenen Sicherheitsabstände gemäß der EN 13241, EN12604, EN 12453, EN 12635 und/oder mit Sicherheitsvorrichtungen (z. B. Kontaktleiste absichern).

Es wird empfohlen, die Sicherheitsfunktion des Antriebssystems mindestens einmal im Monat zu überprüfen. Beachten Sie auch die Anweisungen des Herstellers der Toranlage.

Nach der Montage muss eine abschließende Prüfung der vollen Funktion des Systems und der Sicherheitseinrichtungen erfolgen und alle Benutzer müssen in die Funktion und Bedienung des Schiebetorantriebs eingewiesen werden.

Torsysteme müssen die Kraftbegrenzung gemäß EN 12453, EN 60335-2-103.

Zusätzliche Sicherheitseinrichtungen (Kontaktleiste...) müssen bei Änderungen an der Anlage entsprechend der Norm berücksichtigt werden.

Es muss sichergestellt werden, dass das Tor immer reibungslos funktioniert. Tore, die klemmen oder blockiert sind, müssen sofort repariert werden. Beauftragen Sie einen qualifizierten Techniker mit der Reparatur des Tores, versuchen Sie niemals, es selbst zu reparieren. Dieses Gerät ist nicht dafür bestimmt, durch Personen (einschließlich Kinder) mit eingeschränkten physischen, sensorischen oder geistigen Fähigkeiten oder mangels Erfahrung oder mangels Wissen benutzt zu werden, es sei denn, sie werden durch eine für ihre Sicherheit zuständige Person beaufsichtigt oder erhielten von ihr Anweisungen, wie das Gerät zu benutzen ist. Falls erforderlich, MÜSSEN die Bedienelemente in Sichtweite des Tores und außerhalb der Reichweite von Kindern angebracht werden. Kinder sollten beaufsichtigt werden, um sicherzustellen, dass sie nicht mit dem Gerät spielen. Erlauben Sie Kindern nicht, die Drucktaste(n) oder die Fernbedienung(en) zu bedienen. Eine falsche Verwendung des Torantriebs kann zu schweren Verletzungen führen.

Die Warnschilder sollten an gut sichtbaren Stellen angebracht werden.

Der Torantrieb sollte NUR dann verwendet werden, wenn der Benutzer den gesamten Torbereich einsehen kann und sicher ist, dass dieser frei von Hindernissen ist und der Torantrieb richtig eingestellt ist. Niemand darf den Torbereich durchqueren, während er in Bewegung ist. Kinder dürfen nicht in der Nähe des Tores spielen.

Der vollständige Schutz gegen mögliches Quetschen oder Einklemmen muss sofort bei der Montage des Antriebssystems funktionieren.

Es können Gefahren an mechanischen, elektrischen Anlagen oder an den Schließkanten des Tores durch Quetsch- und Stoßstellen bestehen:

- Strukturelles Versagen, Flügel, Scharniere, Befestigungen, Anschläge, Windlast
- Quetschung, Scharnierbereich, unter dem Tor, Sicherheitsabstand zu festen Gegenständen
- Elektrischer Ausfall (Steuerung - Fehler in Sicherheitssystemen)
- Aufprall, überstrichener Bereich, Halten bis zum Lauf, Kraftbegrenzung, Anwesenheitserkennung

Es müssen geeignete Maßnahmen getroffen werden, um den sicheren Betrieb der Toranlage gemäß den Normen zu gewährleisten.

Nehmen Sie niemals einen beschädigten Antrieb in Betrieb.

Benutzen Sie die Notentriegelung nur zum Auskuppeln des Antriebs und - wenn möglich - NUR bei geschlossenem Tor. Die Betätigung der Notentriegelung kann zu unkontrollierten Bewegungen des Tores führen. Die automatische Schließen Funktion (TTC) und die myQ Smartphone Control sind Beispiele für den unbeaufsichtigten Betrieb des Tores.

Jede Vorrichtung oder Funktion, die das Schließen des Tores ermöglicht, ohne sich in der Sichtlinie des Tores zu befinden, gilt als unbeaufsichtigtes Öffnen/Schließen.

Die Funktion Timer-to-ZU (TTC), die myQ Smartphone-Steuerung und alle anderen myQ-Geräte können NUR aktiviert werden, wenn Liftmaster-Lichtschranken installiert sind (TTC funktioniert nur in Schließrichtung). Das Tor darf nur in der direkten Sichtlinie zum Tor betätigt werden.

WICHTIGE INFORMATION!

- Dieses Verfahren ist auch bei privaten Anlagen (neu oder nachgerüstet auf ein handbetätigtes Tor) erforderlich.
Diese Montage- und Betriebsanleitung muss vom Benutzer aufbewahrt werden.
- Der Hersteller übernimmt keine Haftung/Gewährleistungsansprüche, die sich aus einer nicht bestimmungsgemäßen Verwendung und nach Ablauf der Gewährleistung ergeben.

HINWEIS: Beachten Sie die Montage- und Betriebsanleitung.

- Überwachen Sie stets die Funktion des Systems und beheben Sie im Falle einer Störung sofort die Ursache.
- Führen Sie eine jährliche Inspektion des Systems durch. Rufen Sie einen Fachmann an.
- Die Sicherheitsabstände zwischen dem Torflügel und der Umgebung müssen gemäß den einschlägigen Normen eingehalten werden.
- Der Antrieb kann nur auf stabilen und festen Torflügeln montiert werden. Die Torflügel dürfen sich beim Öffnen und Schließen nicht verbiegen oder verdrehen.
- Vergewissern Sie sich, dass die Scharniere des Torflügels korrekt montiert sind und funktionieren und keine Hindernisse darstellen.
- Die Montage von zwei Antrieben auf demselben Türblatt ist strengstens untersagt.
- Beachten Sie die entsprechenden Anforderungen der lokalen, nationalen Vorschriften zur Einhaltung der Maßnahmen zum Schutz der menschlichen Gesundheit, die beim Kontakt mit anderen Personen, einschließlich Mitarbeitern, Lieferanten und Kunden, zu beachten sind (z.B. Sicherheitsabstand, Maskenpflicht, etc.).
- Genaue Informationen können bei den örtlichen Behörden angefordert werden.

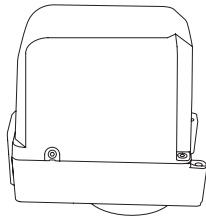


2. LIEFERUMFANG

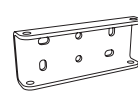
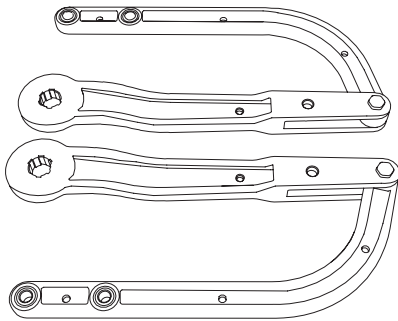
AA250EVK



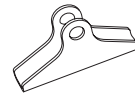
Primäreinheit mit Steuerung



Sekundäreinheit



Pfostenhalterung (2x)



Torhalterung (2x)



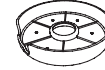
Sicherungsring (2x)



Sicherungsringstift (2x)



Schraube und Mutter (4x)



Abdeckung (2x)



Schraube und Unterlegscheibe (2x)



Zugentlastung 4 x M16 2 x M20



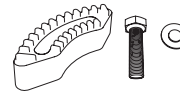
Ösen (6x)



Handsender (2x)



Notnetriegelungsschlüssel (4x)

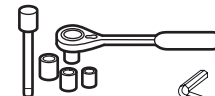
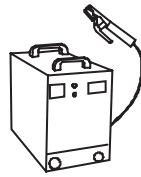
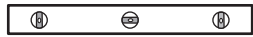
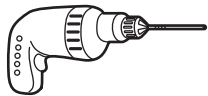


Endanschlag (4x) Schrauben + Unterlegscheiben (4x)

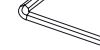


Montageanleitung

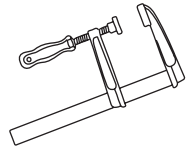
3. BENÖTIGTE WERKZEUGE



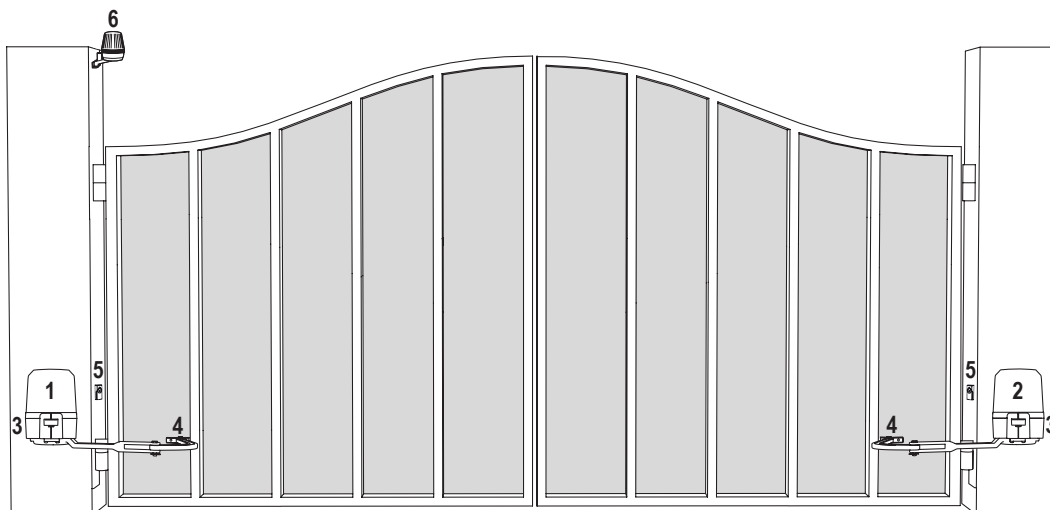
13, 14 mm



6 mm



4. ÜBERSICHT DER TORANTRIEBE



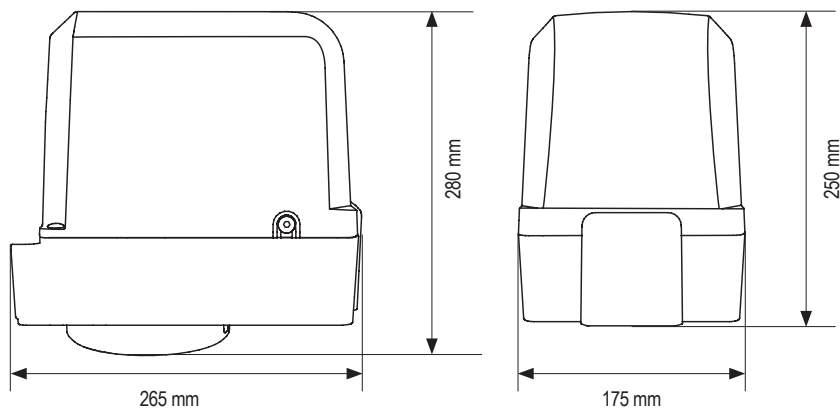
1. Motor 1 mit Steuerung
2. Motor 2
3. Pfostenhalterung (verdeckt)
4. Torhalterung
5. Infrarot-Lichtschranken
6. Blinkleuchte

5. MECHANISCHE MONTAGE

Hiermit beginnen Sie die mechanische Montage des Torantriebs.

5.1 Abmessungen von Tor und Antrieb

AA250EVK



AA250EVK	
1.5 m	250 kg
2.0 m	200 kg
2.5 m	150 kg

Beispiel für Montage

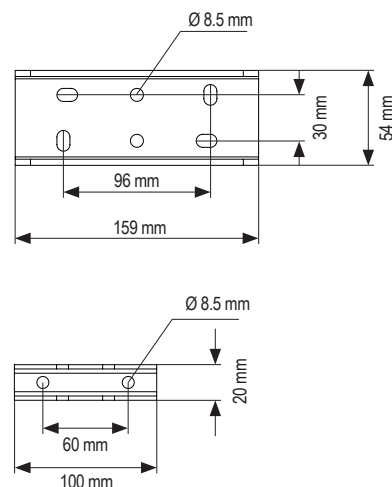
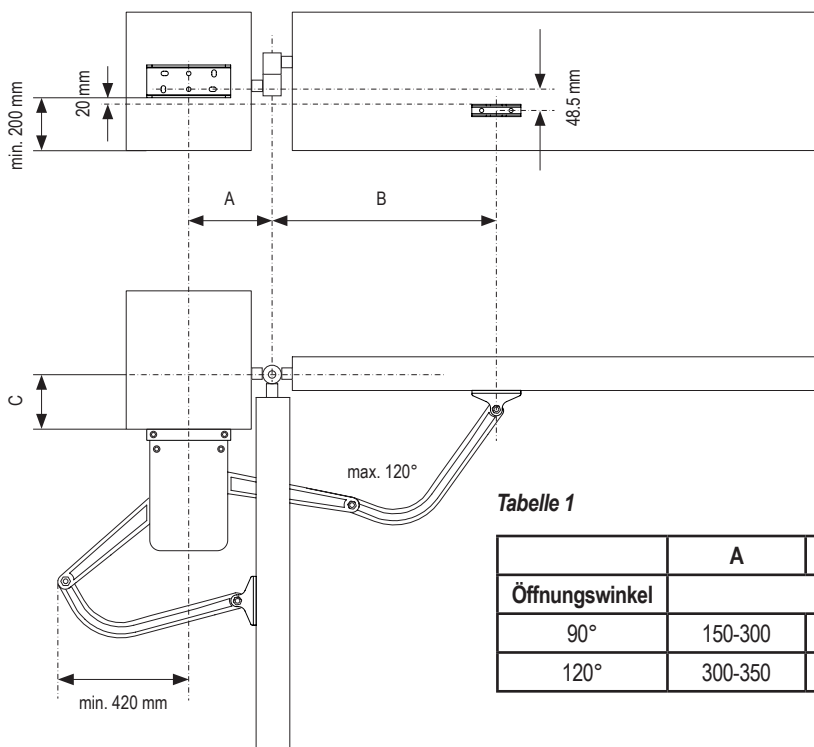


Tabelle 1

	A	B	C
Öffnungswinkel	mm		
90°	150-300	390-540	0-300
120°	300-350	300-350	0-25

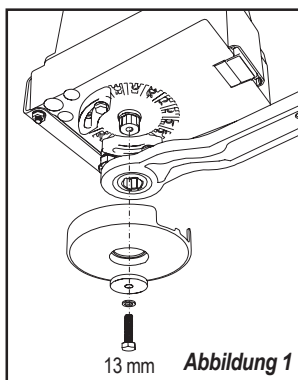
Bestimmen der Position der Pfostenhalterung

- Bestimmen Sie die Maße A, B und C auf der Grundlage des in Tabelle 1 angegebenen Öffnungswinkels, um die Position zu bestimmen, an der die Pfostenhalterung montiert werden soll.

HINWEIS: Alle Quetschstellen müssen durch einen Einklemmschutz nach EU-Norm gesichert sein: EN 12453, EN 60335-2-103; GB (UK, NI): BS EN 12453, BS EN 60335-2-103.

Montage des Antriebsarms

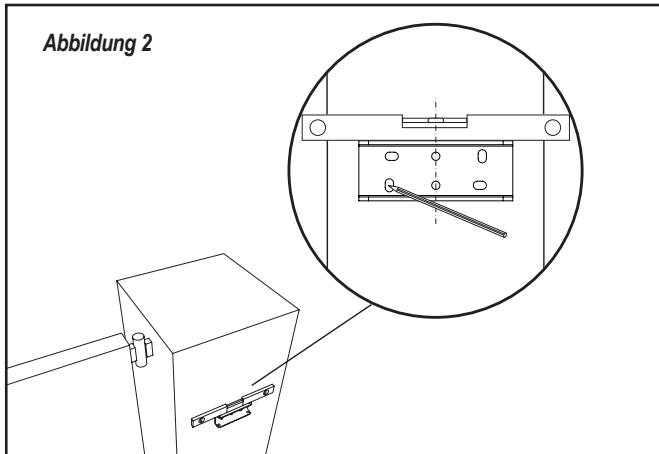
- Befestigen Sie den Motorarm von der Unterseite her in der Mitte des Öffners.
- Befestigen Sie die Kappen mit der Schraube und der Unterlegscheibe.



5. MECHANISCHE MONTAGE

5.3 Montage der Pfostenhalterung

1. Markieren und bohren Sie die Löcher für die Pfostenhalterung, wobei Sie die Pfostenhalterung als Referenz verwenden.
2. Befestigen Sie die Pfostenhalterung mit dem richtigen Befestigungsmaterial je nach vorhandener Montage (Gebäude / Materialsubstanz). Bitte wenden Sie sich an den Hersteller des Tores.
3. Die Schlitzle an der Pfostenhalterung ermöglichen die Ausrichtung. Wenn die Pfostenhalterung eben ist, ziehen Sie die Muttern fest.



HINWEIS: Für Ziegel- oder Betonpfosten verwenden Sie bitte die richtigen Dübel und Schrauben. Bitte halten Sie den richtigen Abstand zu den Pfostenkanten ein. Bei Metallpfosten berücksichtigen Sie bitte die Pfostendicke und schweißen oder schrauben Sie die Halterung direkt an den Pfosten. Für Holzpfeiler verwenden Sie bitte die richtigen Schrauben und bei Bedarf Verstärkungsplatten. Vorsicht Die befestigten Halterungen dürfen sich nach der Montage und während des Betriebs nicht lösen.

5.4 Montage des Antriebs und Einstellung der Fahrstrecke

1. Richten Sie die Löcher des Antriebs auf die Löcher der Pfostenhalterung aus und verbinden Sie sie mit den Schrauben und Muttern (siehe Abbildung 3.a).
2. Verbinden Sie den Arm mit der Welle der Motoreinheit (siehe Abbildung 3.b). Montieren Sie die Schutzabdeckung aus Kunststoff noch nicht, wenn Sie planen, den Antrieb fest zu montieren.
3. Lösen Sie die Kupplung des Antriebs mit dem Entriegelungsschlüssel (siehe Bild 4 auf Seite 7).
4. Bringen Sie den Torflügel in die geschlossene Position.

HINWEIS: Das System muss mit externen Tor- oder Antriebsanschlüssen in beiden Richtungen funktionieren.

5.4.1 Montage mit externen Toransschlägen: (Toransschläge bereits montiert)

- a. Bringen Sie die Torhalterung in die gewünschte vollständig geschlossene Position, wie in Abbildung 3.c gezeigt. Vorübergehend am Torflügel befestigen und mit dem Arm des Antriebs unter Berücksichtigung der Maße A, B und C aus Tabelle 1 verbinden.
- b. Öffnen und schließen Sie das Tor von Hand in die gewünschten Positionen. Vergewissern Sie sich, dass der Arm des Antriebs nicht klemmt und das Tor sich reibungslos bewegt.
- c. Stellen Sie die dauerhafte Verbindung der Torhalterung an der gewählten Position her.

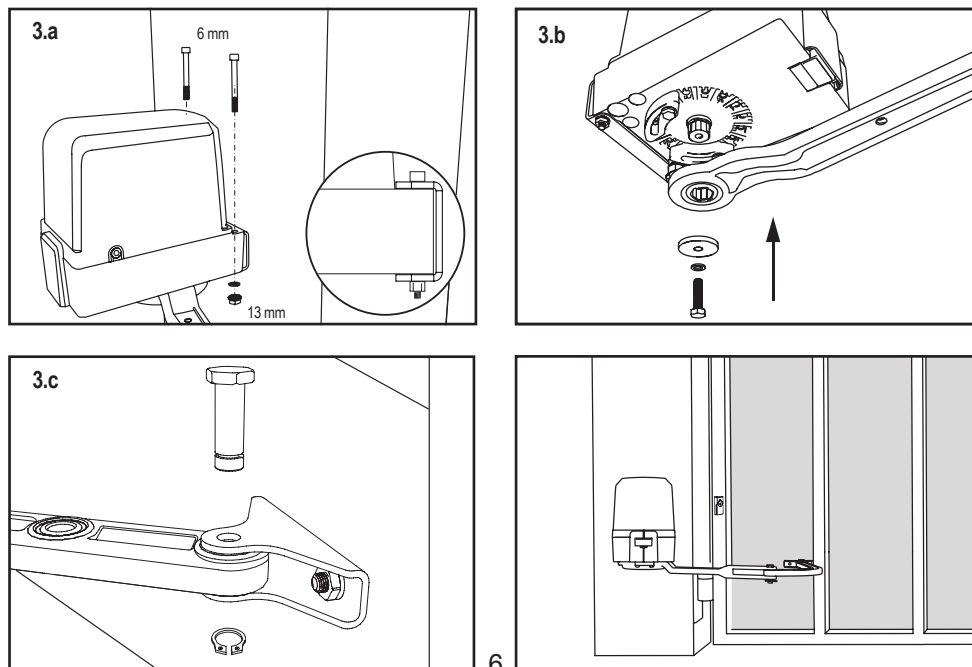
5.4.2 Montage mit festen Anschlägen des Antriebs: (ohne Montage der Toransschläge)

- a. Bringen Sie die Torhalterung in die gewünschte vollständig geschlossene Position, wie in Abbildung 3.c gezeigt. Vorübergehend am Torflügel befestigen (noch nicht dauerhaft mit dem Torflügel verbinden, um Einstellungen zu ermöglichen) und mit dem Antriebsarm unter Berücksichtigung der Maße A, B und C aus Tabelle 1 verbinden.
- b. Öffnen und schließen Sie das Tor von Hand in die gewünschten Positionen. Vergewissern Sie sich, dass der Arm des Antriebs nicht klemmt und das Tor sich reibungslos bewegt.
- c. Befestigen Sie den Festanschlag des Antriebs für die Position „Schließen“ so nah wie möglich am Arm (siehe Abbildung 3.d). Halten Sie den Torflügel in der gewünschten „Geschlossen“-Position und stellen Sie die Position der Torhalterung so ein, dass der Arm in der „Geschlossen“-Position gegen den harten Anschlag stößt (siehe Bilder 3.e und 3.f).
- d. Stellen Sie die dauerhafte Verbindung der Torhalterung an der gewählten Position her.
- e. Öffnen Sie das Tor bis zur gewünschten „Offen“-Stellung und befestigen Sie den Festanschlag des Antriebs für die „Offen“-Stellung so nah wie möglich am Arm (siehe Bilder 3.g und 3.h).
- f. Montieren Sie die Schutzabdeckung an der Unterseite des Antriebs (siehe Abbildung 3.i).

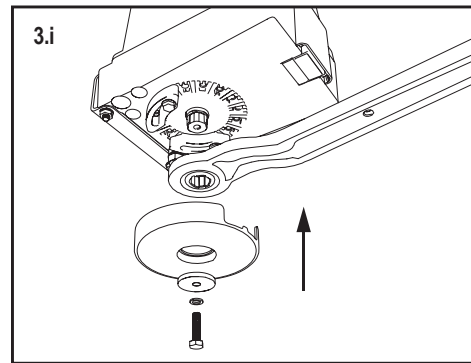
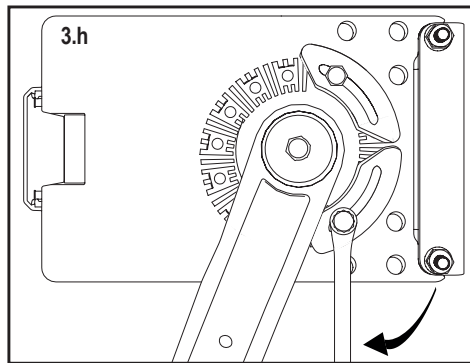
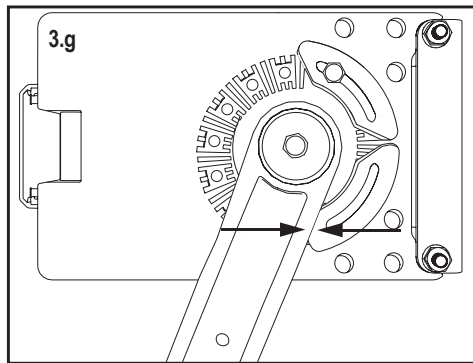
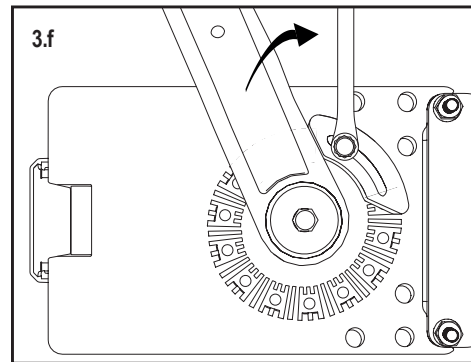
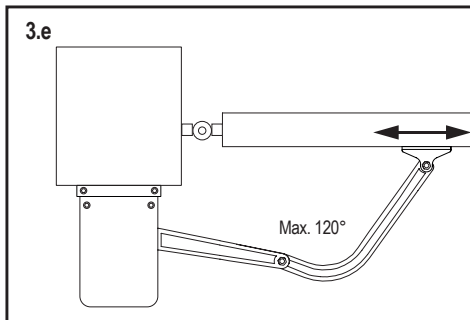
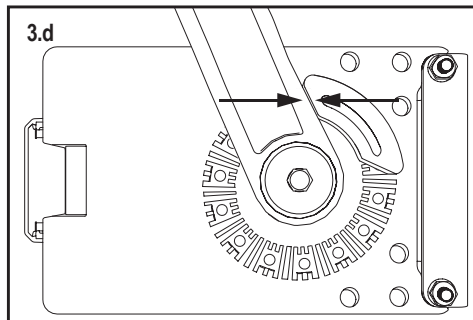
4.3 Eine Kombination aus Antrieb und Feststellvorrichtung ist zulässig. Bitte verwenden Sie die entsprechenden Einrichtungsverfahren wie oben beschrieben.

5. Wiederholen Sie den Vorgang für das Gerät auf der gegenüberliegenden Seite.

Abbildung 3



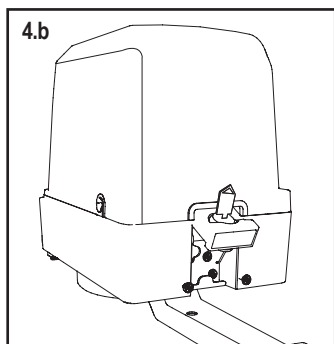
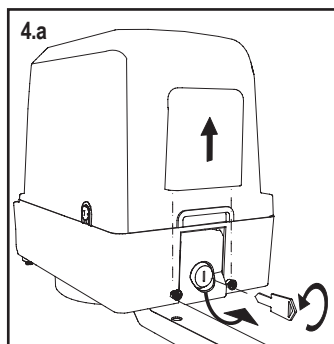
INSTALLATION



5.5 Notentriegelung

Um den Entriegelungsmechanismus zu entriegeln, entfernen Sie die Kunststoffabdeckung, stecken den Schlüssel ein und drehen ihn um 90°. Ziehen Sie den Hebel nach oben (siehe Abbildung 4). Um den Auslösemechanismus wieder zu aktivieren, drücken Sie die Kupplung nach unten und drehen den Schlüssel um 90°.

Abbildung 4



INSTALLATION

5.6 Montage der Steuerung und Motorverkabelung

Die Steuerung ist bereits in der Primäreinheit vorinstalliert und mit den Klemmen von Motor 1 vorverdrahtet.

Um Zugang zur Steuerung in der Primäreinheit zu erhalten, lösen Sie die 2 Schrauben an den Seiten der Abdeckung und die 2 Schrauben auf der Rückseite der Primäreinheit (siehe Abbildung 5).

Die Klemmen für die Beendigung der Verkabelung sind direkt zugänglich. Um Zugang zu den Programmier Tasten zu erhalten, nehmen Sie die durchsichtige Kunststoffabdeckung ab und setzen Sie sie wieder auf, sobald die Programmierung abgeschlossen ist (siehe Abbildung 6). Entfernen Sie die Abdeckung der Sekundäreinheit auf die gleiche Weise wie bei der Primäreinheit, um Zugang zu den Klemmen für die Motorverdrahtung zu erhalten (siehe Abbildung 7).

Abbildung 5 Entfernen der Abdeckung

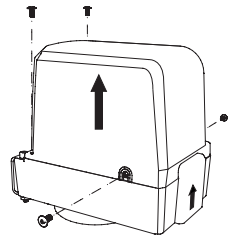


Abbildung 6 Primäreinheit

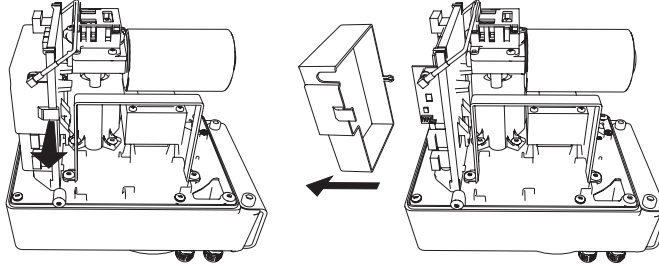
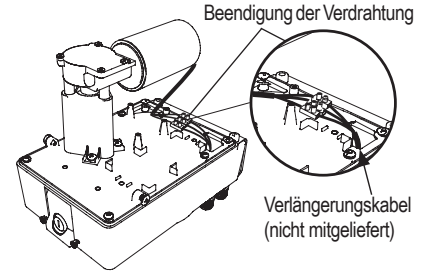


Abbildung 7 Sekundäreinheit



In der Standardeinstellung wird das Primärgerät als links (von innen nach außen gesehen) und das Sekundärgerät als rechts installiert betrachtet. Wenn das Hauptgerät rechts und das Nebengerät links montiert ist, ändern Sie die Einstellungen der Funktionen „d1“ und „d2“.

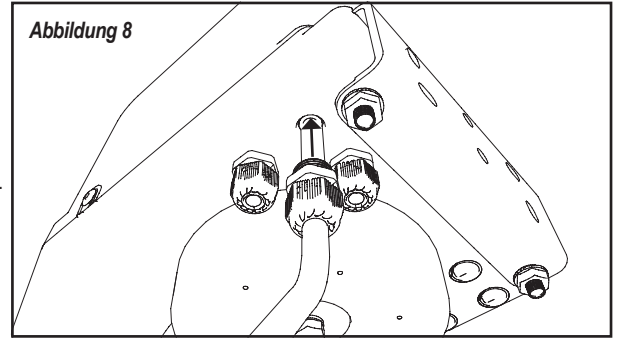
Motor 1 Anschluss

HINWEIS: Der Antrieb, der an die Klemme MOTOR 1 angeschlossen ist, öffnet immer zuerst und schließt zuletzt. Beachten Sie dies bei den Grund- und erweiterten Einstellungen (siehe Abschnitt Programmierung). Die Primäreinheit ist bereits mit den Klemmen von MOTOR 1 vorverdrahtet. Für die Verdrahtung von Motor 1 sind keine zusätzlichen Schritte erforderlich.

Motor 2 Anschluss

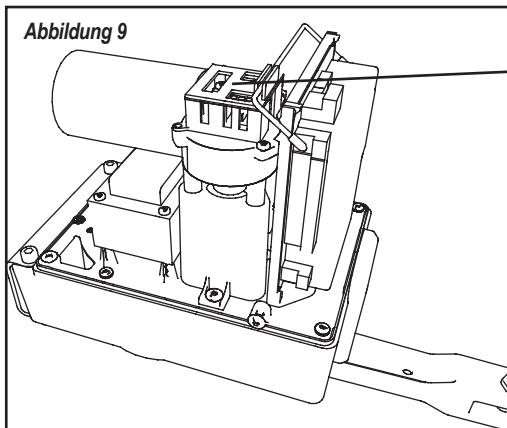
HINWEIS: Der Antrieb, der mit dem Anschluss MOTOR 2 verdrahtet ist, öffnet immer zuletzt und schließt zuerst. Beachten Sie dies bei den Grund- und erweiterten Einstellungen (siehe Abschnitt Programmierung).

1. Schließen Sie das Verlängerungskabel (nicht mitgeliefert) an die Terminierung der Sekundäreinheit an (siehe Abbildung 7). Beachten Sie die Kabelfarben des Sekundärmotors, damit sie mit denen der Steuerung für MOTOR 2 übereinstimmen.
2. Führen Sie das Verlängerungskabel des Sekundärmotors durch eine der Kabelverschraubungen an der Unterseite der Primäreinheit (siehe Abbildung 8). Achten Sie darauf, die Seite des Motors zu verwenden, auf der der Arm die Kabel während der Öffnungs- oder Schließbewegung nicht durchschneiden kann.
3. Schließen Sie die sekundären Motorkabel wie folgt an die Klemmen MOTOR 2 an: rotes Kabel an Anschluss RED, grünes Kabel an Anschluss GRN, weißes Kabel an Anschluss WHT der Steuerung.



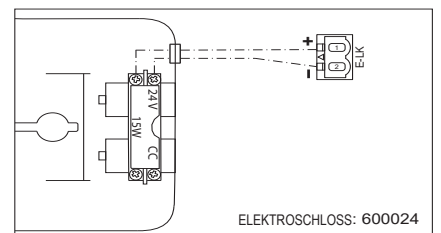
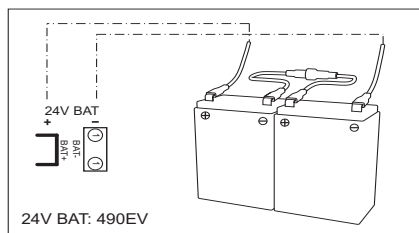
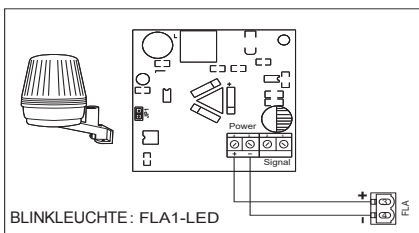
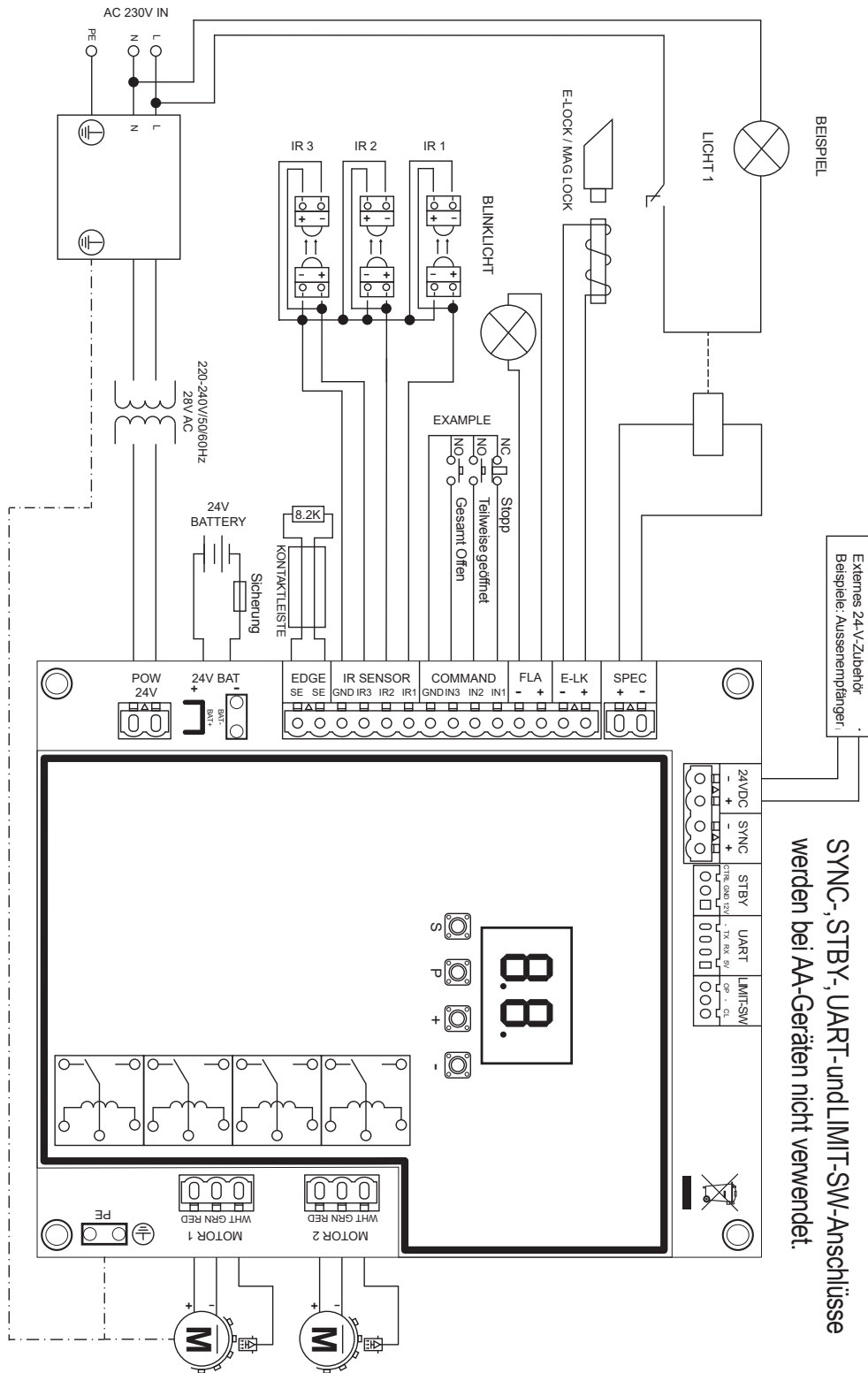
5.7 Leitungsverlegung und Netzanschluss

Die Leitungsverlegung und Netzanschluss müssen von einer zertifizierten Elektrofachkraft durchgeführt werden.



Herzlichen Glückwunsch! Damit ist die mechanische Montage Ihres Torantriebs abgeschlossen. Bitte fahren Sie mit der Programmierung und den Grundeinstellungen fort, um den Betrieb aufnehmen zu können.

6. SCHALTPLAN



7. PROGRAMMIERUNG

7.1 Display, Programmier Tasten und Funktionseinstellung

Programmier Tastenfunktion (4 Tasten):

Taste	Funktion
S	Programmieren/Löschen von Fernbedienungsfunktionen und spezifischen Funktionen
P	Programmiermodus aufrufen, Funktion auswählen und speichern
+/-	Navigieren Sie durch das Menü und ändern Sie den Wert auf dem Display

Funktion und programmierte Werte werden auf dem LED-Display angezeigt.

Funktionseinstellung - Programmiermodus

Die LED-Anzeige zeigt nach dem Einschalten der Steuerung folgende Werte an:

--	Das Board ist für die jeweilige Anwendung vorprogrammiert (Statusbeschreibung siehe unten unter „Anwendung“ und „Standby-Modus“).
EO	„EO“, falls die Steuerung noch nicht programmiert oder mit der Funktion „Werkseinstellung“ zurückgesetzt wurde. In diesem Zustand wird ein Eingangs- oder Handsender-Befehl immer ignoriert.

Hiermit starten Sie die Programmierung Ihres Torantriebs.

7.2 Allgemeiner Überblick über die Programmierung

Die Programmierung ist in 2 Abschnitte unterteilt:

1. Grundeinstellungen (Seite 11)
2. Erweiterte Einstellungen (Seite 14)

Nachdem die Grundeinstellungen vorgenommen wurden, werden die folgenden Parameter während der Lernphase automatisch gelernt:

1. Hublänge von der Stellung **KOMPLETT ZU** bis **KOMPLETT AUF**.
2. Öffnungs- und Schließkraft für jeden Motor.

HINWEIS:

- Die Grundeinstellungen und die Lernphase müssen abgeschlossen sein, um den Betrieb zu ermöglichen.
- Nach Abschluss der Lernphase und der Programmierung arbeitet der Operator mit den Standardeinstellungen.
- Auf die erweiterten Einstellungen kann nicht zugegriffen werden, wenn die Grundeinstellungen und die Lernphase nicht abgeschlossen sind.
- **Stellen Sie vor der Programmierung sicher, dass die entsprechenden Sicherheitseinrichtungen angeschlossen sind.**

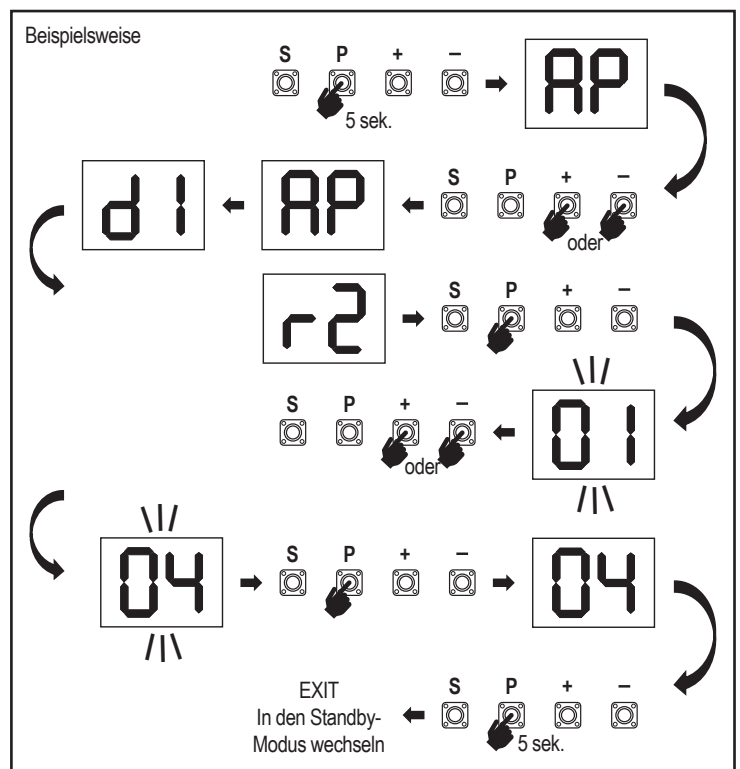
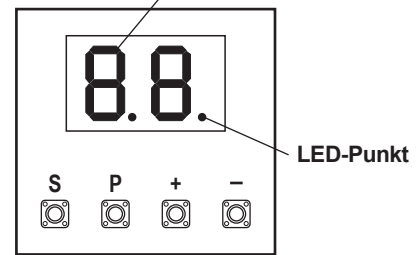
Allgemeine Einrichtung:

1. Halten Sie die Taste „P“ 5 Sekunden lang gedrückt, um das Menü aufzurufen. „AP“ auf dem Display zeigt die erste verfügbare Funktion im Menü an.
2. Verwenden Sie die Tasten „+“ und „-“, um zwischen den Funktionen zu navigieren.
3. Drücken Sie die Taste „P“, um die gewünschte Funktion zu wählen.
4. Die Standardeinstellung oder der zuvor programmierte Wert wird angezeigt. Dies wird durch Blinken des Wertes auf dem Display angezeigt.
5. Verwenden Sie die Tasten „+“ or „-“, um den gewünschten Wert auszuwählen. Drücken Sie die Taste „P“, um die Auswahl zu bestätigen.
6. Die programmierte Funktion wird auf dem Display angezeigt.
7. Um die Einstellung einer anderen Funktion zu ändern, wiederholen Sie die Abfolge der Punkte #2 bis #6
8. Um das Funktionsmenü zu verlassen, drücken Sie 5 Sekunden lang die Taste „S“, dann wechselt das Board in den Standby-Modus.

Wenn die Taste „P“ nicht gedrückt wird, um die neuen Werte zu bestätigen, werden die neuen Einstellungen nach 3 Minuten gespeichert und die Programmierung verlässt das Menü und kehrt in den Standby-Modus zurück.

HINWEIS: Um das Tor zu bedienen oder einen Befehl auszuführen, muss das Einstellungs Menü beendet werden, indem die Taste „P“ 5 Sekunden lang gedrückt wird, oder indem die Funktion FE gewählt wird, oder indem 3 Minuten gewartet wird, um das Menü automatisch zu verlassen und in den Stand-by-Modus zurückzukehren.

2-stellige LED-Anzeige



7. PROGRAMMIERUNG

7.3 Richtung der Flügelbewegungen

Vor dem Programmieren das Tor manuell in die Mittelstellung bewegen und die Notentriegelung wieder einrasten lassen (siehe Seite 8). Halten Sie die Taste „-“ auf der Steuerung gedrückt und vergewissern Sie sich, dass sich der Motor in Richtung **ZU** bewegt. Wenn dies der Fall ist, lassen Sie sofort die „-“-Taste los und das Tor bleibt stehen.

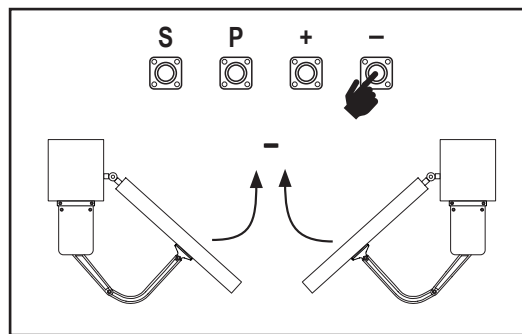
Wenn sich die Motoren in **AUF**-Richtung bewegen, gehen Sie zu den Funktionen „d1“ und „d2“ und ändern Sie die Richtungseinstellungen.

Wenn die ZU-Richtung richtig eingestellt ist, lassen Sie das Tor in der Mittelstellung. Der Antrieb ist bereit für die Lernphase.

Hinweis: Das Tor kann bei Bedarf vor der endgültigen Einstellung mit den Tasten „+“ und „-“ verschoben werden.

Drücken und halten Sie die Taste „+“ auf der Steuerung, um das Tor in die Position **AUF** zu bringen. Wenn die Taste losgelassen wird, hält der Antrieb an.

Drücken und halten Sie die Taste „-“ auf der Steuerung, um das Tor in die Position **ZU** zu bringen. Wenn die Taste losgelassen wird, hält der Antrieb an.



7.4 Grundeinstellungen

Grundeinstellungen Übersicht

LED		Funktion
		Grundeinstellungen (erforderlich)
AP	AP	Anwendung
d1	d1	Motordrehrichtung 1
d2	d2	Motordrehrichtung 2
LL	LL	Grenzwertlernphase

7.4.1 Anwendungseinstellungen

Anwendungsfunktion wird auf dem Display angezeigt. Diese Funktion ist bereits werksseitig auf den Wert 05 voreingestellt.



05	Drehtor, zwei Motoren für AA250 Anwendung (Standard)
-----------	--

Weitere Einstellungen sind auf Anfrage erhältlich:

00	Keine Anwendung ausgewählt
04	Drehtor, ein Motor für AA250 Anwendung

Die Werte 01-03, 06, 07 sind für die Anwendung von AA250 nicht geeignet und sollten nicht gewählt werden.

7.4.2 Einstellungen Motordrehrichtung 1



Motordrehrichtung 1 Funktion wird auf dem Display angezeigt. Legt die Bewegungsrichtung des Motors 1 fest.

01	Der Motor 1 bewegt sich in Schließrichtung, wenn er auf der rechten Seite montiert ist.
02	Der Motor 1 bewegt sich in Schließrichtung, wenn er auf der linken Seite (Standard) montiert ist.

7.4.3 Einstellungen Motordrehrichtung 2

Motordrehrichtung 2 Funktion wird auf dem Display angezeigt. Legt die Bewegungsrichtung des Motors 2 fest. Nicht verfügbar für die Anwendung „ein Motor“.



01	Der Motor 2 bewegt sich in Schließrichtung, wenn er auf der rechten Seite (Standard) montiert ist.
02	Der Motor 2 bewegt sich in Schließrichtung, wenn er auf der linken Seite montiert ist.

7.4.4 Endpositionen Einlernen



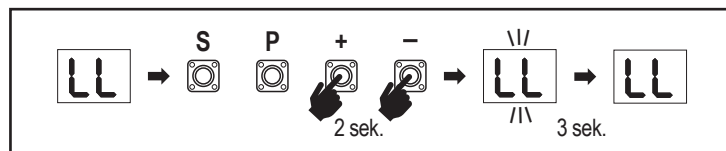
Stellen Sie vor Beginn einer Lernphase Folgendes sicher:

1. Andere Grundeinstellungen sind abgeschlossen
2. Montage interner/externer Festanschläge (bei Flügeltoren)
3. Die erste Bewegung erfolgt in Richtung **ZU**.

Verfügbare Lernmethoden:ing methods:

Standard-Lernmodus (automatisch)

1. Halten Sie die Tasten „+ and -“ 2 Sekunden lang gedrückt.
2. Der automatische Lernprozess beginnt. LL blinkt während des gesamten Vorgangs auf dem Display.
3. Flügel 2 bewegt sich in Richtung **ZU**, bis der harte Anschlag erreicht ist, und hält an.
4. Flügel 1 bewegt sich in Richtung **ZU** bis zum Anschlag und hält dann 2 Sekunden lang an. Dann startet der Flügel 1 in Richtung **AUF** bis zum Anschlag.
5. Flügel 2 fährt in Richtung **AUF** bis zum Anschlag, hält für 2 Sekunden an und fährt dann in Richtung **ZU** bis zum Anschlag und hält an.
6. Flügel 1 bewegt sich in Richtung **ZU**, bis der harte Anschlag erreicht ist, und hält an.
7. Die Standard-Lernphase ist abgeschlossen. LL erscheint auf dem Display und die Steuerung kehrt nach 3 Sekunden in den Stand-by-Modus zurück.



HINWEIS: Bei der Anwendung mit einem Motor werden die „Flügel 2“-Aktionen nicht verwendet.

Die folgenden Einstellungen werden im Standard-Lernmodus vorgenommen:

1. Fahrtstrecke von der Stellung **KOMPLETT ZU** bis **KOMPLETT AUF**.
2. Öffnungs- und Schließkraft für jeden Motor.
3. 15 % der gesamten Fahrtstrecke in beide Richtungen sind für Soft Stop vorgesehen.
4. Die Verzögerung der Flügel in der Öffnungs- und Schließrichtung beträgt 2 Sekunden. Wenn Sie die Verzögerung ändern möchten, gehen Sie bitte zu den erweiterten Einstellungen: Verzögerung Motor 2 (d0) und Verzögerung Motor 1 (dC).

7. PROGRAMMIERUNG

Erweiterter Lernmodus (manuelle Einstellung der Soft Stop Position)

- Halten Sie die Tasten „+“ and „-“ 2 Sekunden lang gedrückt.
- Das automatische Lernen beginnt. LL blinkt während des gesamten Vorgangs auf dem Display.
- Flügel 2 bewegt sich in Richtung **ZU**, bis der Endanschlag erreicht ist, und hält an.
- Flügel 1 bewegt sich in Richtung **ZU** bis zum Endanschlag und hält dann 2 Sekunden lang an.
- Flügel 1 startet in Richtung **AUF** mit Standardgeschwindigkeit. Um den Beginn des Softstops für Flügel 1 in Richtung **AUF** zu definieren, drücken Sie die Taste „P“ am gewünschten Startpunkt. Der Flügel 1 öffnet sich weiter bis zum Endanschlag und bleibt dann stehen.
- Flügel 2 bewegt sich mit Standardgeschwindigkeit in Richtung **AUF**.
- Um den Beginn des Softstops für Flügel 2 in Richtung **AUF** zu definieren, drücken Sie die Taste „P“ am gewünschten Startpunkt. Flügel 2 öffnet weiter bis zum Endanschlag, hält 2 Sekunden lang an und fährt dann mit der Standardgeschwindigkeit in Richtung **ZU**.
- Um den Beginn des Softstops für Flügel 2 in Richtung **ZU** zu definieren, drücken Sie die Taste „P“ am gewünschten Startpunkt. Flügel 2 bewegt sich weiter bis zum Endanschlag und hält dann an.
- Flügel 1 bewegt sich mit der Standardgeschwindigkeit in Richtung **ZU**.
- Um den Beginn des Softstops für Flügel 1 in Richtung **ZU** zu definieren, drücken Sie die Taste „P“ am gewünschten Startpunkt. Flügel 1 bewegt sich weiter bis zum Endanschlag und hält dann an.
- Die Phase des fortgeschrittenen Lernens ist abgeschlossen. LL erscheint auf dem Display und die Steuerung kehrt nach 3 Sekunden in den Stand-by-Modus zurück.

HINWEIS: Bei der Anwendung mit einem Motor werden die „Flügel 2“-Aktionen nicht verwendet.

Die folgenden Einstellungen werden im erweiterten Lernmodus programmiert:

- Fahrtstrecke von der Stellung **KOMPLETT ZU** bis **KOMPLETT AUF**.
- Öffnungs- und Schließkraft für jeden Motor.
- Startpositionen der Soft Stops.
- Die Verzögerung der Flügel in der Öffnungs- und Schließrichtung beträgt 2 Sekunden. Wenn Sie die Verzögerung ändern möchten, gehen Sie bitte zu den erweiterten Einstellungen: Verzögerung Motor 2 (d0) und Verzögerung Motor 1 (dC).

HINWEIS: Um die Lernphase zu beenden, drücken Sie die Taste „S“. Der Lernvorgang wird unterbrochen, auf der LED-Anzeige blinkt „LE“. Nach 5 Sekunden erscheint „LL“ auf dem Display und zeigt damit an, dass die Lernphase wieder beginnen kann.

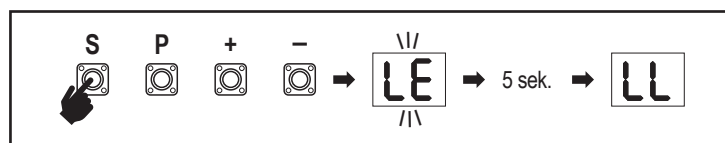
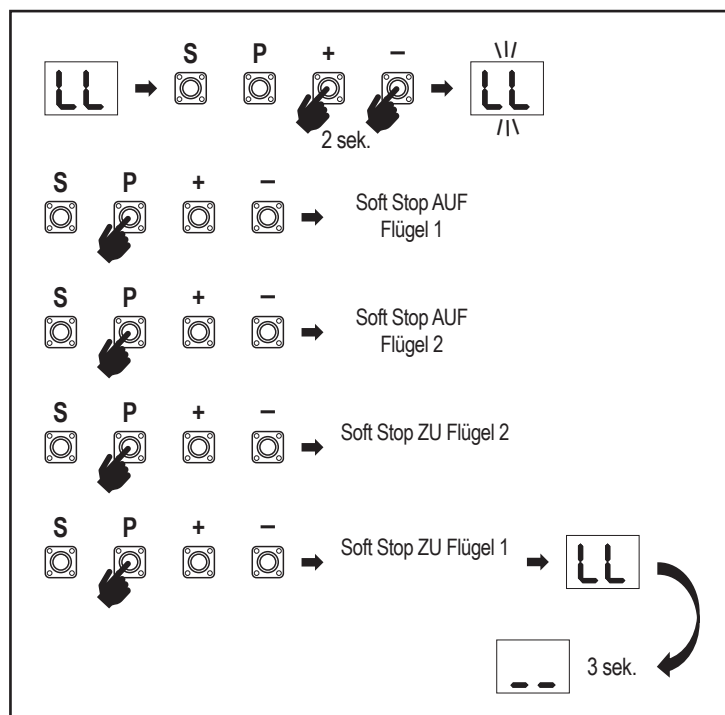
Wenn der Lernprozess nicht abgeschlossen wurde, muss er erneut durchgeführt werden.

ACHTUNG: Die Lernphase muss abgeschlossen sein, um den Betrieb zu ermöglichen.

7.5 Standby Modus

Nach dem Einschalten der Steuerung und dem Abschluss der Programmierung leuchtet die LED-Anzeige 2 Sekunden lang vollständig auf und geht dann in den Stand-by-Modus über. Im Standby-Modus zeigt die LED-Anzeige den aktuellen Torstatus an.

	Zwei Motoren (Standard)	Ein Motor
Motor öffnet sich, oberer Abschnitt der Anzeige blinkt.		
Motor bleibt in der Öffnungsposition stehen, oberer Abschnitt der Anzeige leuchtet.		
Motor schließt, unterer Abschnitt der Anzeige blinkt.		
Der Motor bleibt in der geschlossenen Position stehen, der untere Abschnitt des Displays ist eingeschaltet.		
Der Motor bleibt in der Mitte stehen, die Mitte des Displays ist eingeschaltet.		



Damit sind die Grundeinstellungen abgeschlossen. Sie können die Programmierung verlassen und Ihr Tor bedienen oder mit den erweiterten Einstellungen fortfahren.

7. PROGRAMMIERUNG

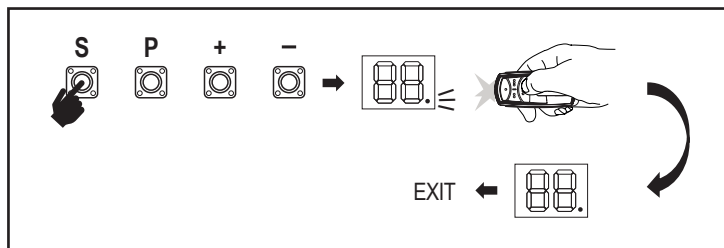
7.6 Programmierung und Löschung von Handsender, Funkzubehör und myQ-Geräten

Programmieren Sie Fernbedienungsgeräte (Handsender und drahtlose Wandbedienungen):

HINWEIS: Die mit dem Antrieb gelieferten Fernbedienungen sind bereits werkseitig auf den Antrieb eingelernt (oberste Taste in der Nähe der LED) und müssen nicht extra programmiert werden.

1. Taste „S“ drücken und loslassen. Ein LED-Spot LEUCHTET im Display auf. Der Operator bleibt 3 Minuten lang im Programmiermodus des Radios. Jedes Funkzubehörgerät kann innerhalb der ersten 30 Sekunden eingelernt werden. In den verbleibenden 2,5 Minuten können nur myQ-Geräte eingelernt werden.
2. Wählen Sie die gewünschte Taste an Ihrem Handsender und halten Sie sie gedrückt, bis der Punkt im Display erlischt.

Um eine neue Fernbedienung zu programmieren, wiederholen Sie den Ablauf.
Um eine Funktastatur zu programmieren, folgen Sie bitte dem entsprechenden Handbuch des Zubehörs.



Programmieren des Senders bei teilweiser Öffnung

Halten Sie die Tasten „S“ und „+“ gleichzeitig gedrückt, bis der LED-Punkt zu blinken beginnt. Halten Sie die gewünschte freie Taste am Handsender gedrückt, um den Teilöffnungsmodus zu programmieren.

Der LED-Punkt schaltet sich aus, wenn die Programmierung abgeschlossen ist. Wenn ein Licht mit dem SPEC-Kontakt verbunden ist, blinkt es einmal.

Programmieren Sie das myQ-Gateway (828EV):

1. Verbinden

Schließen Sie das mit dem Gateway gelieferte Ethernet-Kabel (1) an den Router (2) an und verwenden Sie den für Ihr Land gültigen Stecker (nicht alle Modelle). Schließen Sie das Internet-Gateway (4) an die Stromversorgung (3) an; wenn das Internet-Gateway eine Verbindung zum Internet herstellt, hört das grüne Licht (5) auf zu blinken und leuchtet dauerhaft. Für den Betrieb von myQ ist ein angeschlossener Satz von IRs erforderlich.

2. Ein Konto erstellen

Laden Sie die kostenlose myQ App aus dem App Store oder Google Play Store herunter und erstellen Sie ein Konto. Wenn Sie bereits ein Konto haben, verwenden Sie Ihren Benutzernamen und Ihr Kennwort.

3. Registrieren des Internet-Gateways

Geben Sie die Seriennummer ein, die sich auf der Unterseite des Internet-Gateways befindet, wenn Sie dazu aufgefordert werden.

4. myQ-Geräte hinzufügen

Um Ihren Antrieb zu dem registrierten Gateway hinzuzufügen, folgen Sie den Anweisungen in der App. Beim Hinzufügen eines neuen myQ-fähigen Antriebs die Taste „S“ auf der Steuerung des Antriebs drücken und loslassen. In der Anzeige der Steuerung leuchtet ein LED-Spot auf.

Hinweis: Nachdem Sie ein Gerät hinzugefügt haben, leuchtet das blaue Licht am Internet-Gateway auf und bleibt eingeschaltet. Drücken Sie die Taste „S“ auf der Steuerung des Antriebs, um den Funkprogrammiermodus zu verlassen.

5. Test

Nach der korrekten Montage und Registrierung können Sie nun die folgenden Funktionen testen: Öffnen oder Schließen des Tores, Abfrage des Status GATE AUF oder GATE GESCHLOSSEN.

Für weitere Funktionen siehe www.liftmaster.eu

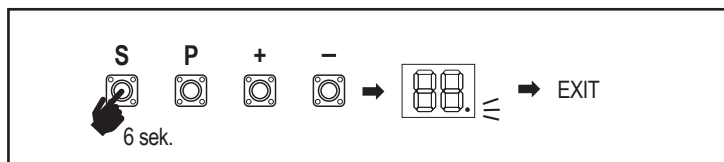
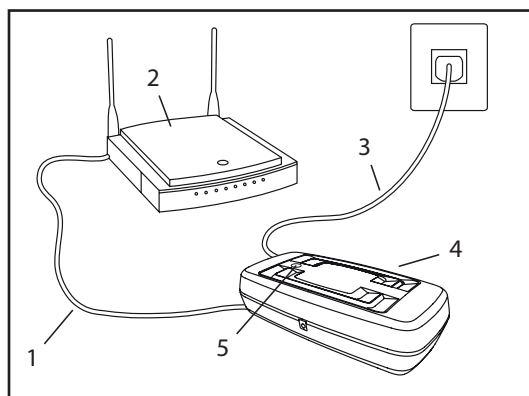
Löschen von Funksteuergeräten (Handsendern, Funk-Wandbedienungen, Funktastaturen):

Halten Sie die Taste „S“ für > 6 Sekunden gedrückt. Alle Funksteuergeräte (Handsender, Wandbedienungen, Tastaturen) werden gelöscht. Der LED-Punkt im Display schaltet sich aus. Hinweis: Es ist nicht möglich, Funksteuergeräte einzeln zu löschen.

myQ-Geräte löschen:

1. Löschen Sie zuerst die Fernsteuerungsgeräte wie oben beschrieben.
2. Drücken und halten Sie innerhalb der nächsten 6 Sekunden die Taste „S“. Ein LED-Spot LEUCHTET im Display auf.
3. Halten Sie die Taste „S“ für > 6 Sekunden gedrückt. Alle myQ-Geräte werden gelöscht. Der LED-Punkt im Display schaltet sich aus.

HINWEIS: Es ist nicht möglich, myQ-Geräte einzeln zu löschen. Es ist nicht möglich, nur myQ-Geräte zu löschen.



7. PROGRAMMIERUNG

Hiermit beginnen Sie mit den erweiterten Einstellungen.

7.7 Erweiterte Einstellungen

LED		Funktion
	tr	Handsender
	r1	Lichtschanke IR1
	r2	Lichtschanke IR2
	r3	Lichtschanke IR3
	i1	Befehlsgeber 1
	i2	Befehlsgeber 2
	i3	Befehlsgeber 3
	Pd	Teilöffnung Motor 1
	d0	Verzögerung Motor 2 in AUF
	dC	Verzögerung Motor 1 in ZU
	tC	Automatisches Schließen (TTC)
	rt	Reversierungsverhalten
	EL	Elektroschloss
	rb	Entlastung Motor 1 für Elektroschloss

LED		Funktion
	FL	Blinkleuchte
	PF	Vorblinken
	SP	Spezieller Kontakt
	St	Startgeschwindigkeit in Öffnungs- und Schließrichtung
	Cn	Wartungszähler
	PS	Kennwort
	F1	Krafteinstellung Motor 1 in AUF (durch PS geschützt)
	F2	Krafteinstellung Motor 1 in ZU (durch PS geschützt)
	F3	Krafteinstellung Motor 2 in AUF (durch PS geschützt)
	F4	Krafteinstellung Motor 2 in ZU (durch PS geschützt)
	S1	Geschwindigkeitseinstellungen Motor 1 und 2 in AUF (geschützt durch PS)
	S2	Geschwindigkeitseinstellungen Motor 1 und 2 in ZU (geschützt durch PS)
	SF	SOFT-STOP Geschwindigkeit in AUF und ZU (geschützt durch PS)
	Fd	Werkseinstellung
	FE	Fertigstellen und Beenden

7.7.2 Handsendereinstellungen

Die Handsender-Funktion legt fest, wie die Handsender-Befehle funktionieren.

Hinweis: Bei den Einstellungen „01“, „02“ und „03“ wird der TTC-Timer durch einen Handsender-Befehl übersteuert und das Tor wird geschlossen.

Bei der Einstellung „04“ wird der aktive TTC-Timer-Countdown durch den Handsender-Befehl wieder auf Start gesetzt.



	Wohnmodus: AUF – ZU – AUF
	Standardmodus: AUF – Stop – ZU – Stop – AUF (Standard)
	Automatisch mit Stopmodus: AUF – Stop – ZU – AUF
	Parkmodus: Offen, um die Position Offen zu vervollständigen. Zusätzliche Befehle während des Öffnens werden ignoriert

7.7.3 Einstellungen der Infrarot-Lichtschraken

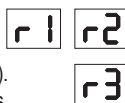
IR-Funktionen definieren die Funktionsweise von Infrarot-Lichtschraken (IR).

Die IRs werden bei der Montage automatisch eingelernt. Jedes der 3 IR-Sets kann individuell programmiert werden.

HINWEIS: Abhängig von den gewählten Einstellungen werden die Teilöffnungseingänge oder Fernbedienungsbefehle in Richtung AUF oder ZU nicht ausgeführt, wenn der Lichtschraken-Strahl unterbrochen wird.

Wenn die IRs entfernt werden, muss die Steuerung zwei Mal aus- und eingeschaltet werden, um den Lernvorgang zu beenden.

Für die Kontrolle und Wartung der Lichtschraken siehe das Handbuch der Lichtschraken. 14



	IR aktiv bei ZU-Bewegung. Wenn der IR-Strahl unterbrochen wird, kehrt das Tor in die vollständig geöffnete Position zurück (Standard).
	IR aktiv bei AUF-Bewegung. Wenn der IR-Strahl unterbrochen wird, stoppt das Tor. Wenn das Hindernis verschwindet, ÖFFNET sich das Tor weiter.
	IR ist bei der AUF- und ZU-Bewegung aktiv. Wenn der IR-Strahl bei der ZU-Bewegung unterbrochen wird, stoppt das Tor und nachdem das Hindernis entfernt, kehrt das Tor in die vollständige AUF-Position zurück. Wenn der IR-Strahl bei der AUF-Bewegung unterbrochen wird, stoppt das Tor. Wenn das Hindernis entfernt wird, ÖFFNET sich das Tor weiter.
	IR aktiv bei ZU-Bewegung. Wenn der IR-Strahl unterbrochen wird, kehrt das Tor in die vollständig geöffnete Position zurück: Die aktivierte TTC-Funktion wird 2 Sekunden nach Beseitigung des Strahlenhindernisses außer Kraft gesetzt und startet die ZU-Bewegung, ohne das Ende der TTC-Zeit abzuwarten.

7.7.4 Befehlsgebereinstellungen



Die Funktion Befehlsgeber legt fest, wie Eingangsbefehle von externem Zubehör ausgeführt werden. Jeder der 3 Eingänge kann individuell programmiert werden.

HINWEIS: Bei den Einstellungen „01“, „02“ und „03“ wird der TTC-Timer (automatisches Schließen) durch einen Eingangsbefehl überschrieben und das Tor wird geschlossen. Bei der Einstellung „06“ wird ein aktiver TTC-Timer-Countdown (automatisches Schließen) durch einen Eingangsbefehl wieder auf Start gesetzt.

7. PROGRAMMIERUNG

01	AUF – ZU – AUF
02	AUF – Stop – ZU – Stop – AUF (Standard)
03	AUF – Stop – ZU – AUF
04	Teilöffnung Motor 1
05	STOP (NC-Kontakt)
06	Öffnen, zu kompletten AUF-Position. Zusätzlicher Öffnungsbefehl während der Öffnung wird ignoriert
07	Schließen, zu kompletter ZU-Position. Zusätzliche Schließbefehle während des Schließens werden ignoriert
08	AUF – Stop – AUF - Stop
09	ZU – Stop – ZU - Stop
10	Öffnen, Totmannfunktion
11	Schliessen, Totmannfunktion

7.7.5 Teilöffnung Motor 1



Mit der Teilöffnung Motor 1 können Sie den Gehflügel nur bis zu einem voreingestellten Wert öffnen.

HINWEIS: Der Pd-Befehl wird aus der ZU-Position und während der Schließbewegung ausgeführt. Wird ein Pd-Befehl aus einer vollständig AUF-Position ausgeführt, schließt das Tor.

Ein AUF- oder Handsender-Befehl hat immer Vorrang vor dem Pd-Befehl.

01	50 % Öffnungsweg
02	75% Öffnungsweg (Standard)
03	100 % Öffnungsweg

1. Die Tasten „S“ und „+“ auf der Steuerung gleichzeitig drücken und gedrückt halten, bis der LED-Punkt zu blinken beginnt.
2. Halten Sie die gewünschte freie Taste am Handsender gedrückt, um den Teilöffnungsmodus zu programmieren.
3. Der LED-Punkt schaltet sich aus, wenn die Programmierung abgeschlossen ist. Wenn ein Licht mit dem SPEC-Kontakt verbunden ist, blinkt es einmal.

7.7.6 Verzögerung Motor 2 in Öffnungsrichtung



Die Funktion Verzögerung Motor 2 in AUF-Richtung definiert die Zeitverzögerung für Motor 2 in AUF-Richtung. Nicht verfügbar für die Anwendung mit einem Motor.

Wird nicht während der Reversierung oder nach Unterbrechung des IR-Strahls in beiden Richtungen ausgeführt.

00	keine Verzögerung (beide Flügel werden gleichzeitig geöffnet)
01	1 Sekunde
02	2 Sekunden (Standard)
03	3 Sekunden
04	4 Sekunden

7.7.7 Verzögerung Motor 1 in Schließrichtung



Die Funktion Verzögerung Motor 1 in ZU-Richtung definiert die Zeitverzögerung für Motor 1 in ZU-Richtung. Nicht verfügbar für die Anwendung mit einem Motor.

Wird nicht während der Reversierung oder nach Unterbrechung des IR-Strahls in beiden Richtungen ausgeführt.

00	keine Verzögerung (beide Flügel starten zur gleichen Zeit)
01	1 Sekunde
02	2 Sekunden (Standard)
...	... Sekunden
20	20 Sekunden

7.7.8 Automatisches Schließen (TTC)



Die Funktion Automatisches Schließen (TTC) ermöglicht das automatische Schließen des Tores aus einer vollständigen OFFEN-Position nach einer voreingestellten Zeitspanne. Es muss mindestens ein Paar LiftMaster Infrarot-Lichtschrangen (IR) zur Überwachung der Schließbewegung montiert werden, um den TTC-Betrieb zu ermöglichen. TTC wird nicht funktionieren, wenn Lichtschrangen nur die Öffnungsbewegung schützen.

TTC funktioniert auch mit aktivierter Teilöffnung. Wenn die TTC-Funktion aktiv ist, der Timer herunterzählt und die IR-Strahlen unterbrochen werden, muss der TTC-Timer neu gestartet werden.

00	TTC nicht aktiv (Standard)	05	1 Minute
01	10 Sekunden	06	1,5 Minuten
02	20 Sekunden	07	2 Minuten
03	30 Sekunden	08	3 Minuten
04	45 Sekunden	09	5 Minuten

7.7.9 Reversierungsverhalten bei Hinderniserkennung



Die Funktion Reversierung bei Hindernis definiert das Reversierungsverhalten nach Erkennung eines Hindernis während der Schließ- oder Öffnungsbewegung. Dieses Reversierungsverhalten gilt sowohl für die Motorkrafterkennung als auch für die Kontaktleistenanwendung.

01	2 Sekunden Reversierung und Stopp
02	Reversierung bis zur Endlage (Standard)
03	Während der Schließbewegung kehrt das Tor bei der Hinderniserkennung in die offene Position zurück. Während der Öffnungsbewegung reversiert das Tor bei der Hinderniserkennung für 2 Sekunden und stoppt

7.7.10 Elektroschloss /Magnetschloss Einstellungen



Die Elektroschloss-Funktion definiert das Verhalten von Elektroschloss/Magnetschloss. 24 VDC - 500 mA Elektroschloss/Magnetschloss können angeschlossen werden.

00	Elektroschloss/Magnetschloss nicht montiert (Standard)
01	Elektroschloss aktiv für 1 Sekunde vor dem Motor 1 Start in Aufwärtsrichtung
02	Elektroschloss aktiv für 2 Sekunden vor dem Motor 1 Start in Aufwärtsrichtung
03	Magnetschloss, ständig aktiv beim GESCHLOSSENEM Tor; ständig inaktiv bei AUF- und ZU-Bewegung, Tor AUF oder STOP-Position. Magnetschloss wird im Batterie-Backup-Modus deaktiviert.

7. PROGRAMMIERUNG

7.7.10a Entlastung Motor 1 für Elektroschloss



Entlastung Motor 1 für Elektroschloss-Funktion ermöglicht es, den Motor 1 vor der Aktivierung des Elektroschlusses kurz in Richtung ZU zu drücken, um den Überdruck auf den Elektroschlusses zu entlasten. Nicht verfügbar, wenn EL-Funktion auf „00“ oder „03“ eingestellt ist (Elektroschlusses nicht angeschlossen / Magnetschloss angeschlossen).

00	Deaktiviert (Standard)
01	1 Sekunde aktiviert
02	2 Sekunden aktiviert

7.7.11 Einstellungen der Blinkleuchte



Mit der Funktion Blinkleuchte können Sie auswählen, welche Art von Blinklampe angeschlossen ist. 24VDC- max 500 mA Blinkleuchte (FLA1-LED) kann angeschlossen werden.

00	keine Blinkleuchte montiert (Standard)
01	24V-Dauerversorgung - für Blinkleuchte mit eigener Steuerung (FLA1-LED)
02	unterbrochene 24V-Versorgung - für Blinkleuchte ohne eigene Steuerung

7.7.11a Vorblinken



Die Vorblinkfunktion definiert das Zeitintervall des Vorblinkens der Blinkleuchte vor der Torbewegung. Funktion nicht aktiv, wenn Blinkleuchte (FL) Funktion auf „00“ eingestellt ist.

00	kein Vorblinken (Standard)	03	3 Sekunden
01	1 Sekunde	04	4 Sekunden
02	2 Sekunden	05	5 Sekunden

7.7.15 Kennwortgeschützte Funktionen und Einstellungen

7.7.15a Kennwort einrichten



Die Lernphase muss abgeschlossen sein und das Kennwort muss festgelegt werden, bevor Änderungen an passwortgeschützten Funktionen wie Kraft und Geschwindigkeit vorgenommen werden.

Wählen Sie die Funktion „PS“, um das Kennwort zu programmieren.

HINWEIS: „00“ kann nicht als Kennwort verwendet werden. Sie wird nur als Standardeinstellung verwendet.

Auf Funktionen, die durch ein Kennwort geschützt sind, kann nicht zugegriffen werden, wenn das neue Kennwort nicht festgelegt ist.

Um geschützte Funktionen nach der Einrichtung zu ändern, ist ein Kennwort erforderlich.

Einrichten des Kennworts

1. Wählen Sie die Funktion „PS“ und drücken Sie die Taste „P“.
2. Auf dem Display blinkt „00“.
3. Verwenden Sie die Tasten „+“ und „-“, um das neue Passwort festzulegen.
4. Drücken Sie die Taste „P“.
5. Der neu eingestellte Kennwortwert wird 2 Sekunden lang angezeigt. Dann wechselt das Display zu „PS“.

Bitte notieren Sie Ihr Kennwort, damit Sie es später wiederfinden können.

7.7.12 Relais-Kontakt Einstellungen (SPEC)



Die SPEC-Kontakt Funktion definiert die Aktivierungszeit des Relais. Ein 24-V-Relais mit max. 500 mA kann angeschlossen werden, um andere Geräte zu steuern, z. B. die Beleuchtung. Die hier eingestellte Zeit steuert auch den Countdown für das myQ-Licht.

00	keine Aktivierung (Standard)	05	1,5 Minuten
01	15 Sekunden	06	2 Minuten
02	30 Sekunden	07	3 Minuten
03	45 Sekunden	08	4 Minuten
04	1 Minute	09	5 Minuten

7.7.13 Startgeschwindigkeit in Öffnungs- und Schließrichtung



Die Funktion Startgeschwindigkeit ermöglicht die Einstellung des Soft-Starts in AUF- und ZU-Richtung.

00	Deaktiviert (Standard)
01	Soft Start aktiv: Die Motoren beschleunigen langsam, bis sie die Standardgeschwindigkeit erreichen.
02	Hard Start aktiv, die Motoren starten mit der regulären Geschwindigkeit und in der ersten Sekunde wird der Kraftsensor nicht aktiv.

7.7.14 Wartungszähler



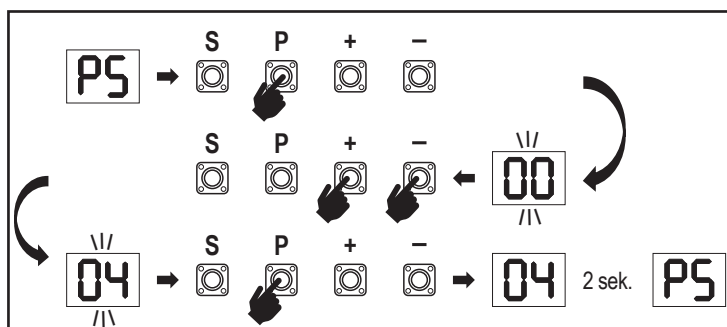
Die Funktion Wartungszähler ermöglicht die Einstellung des Wartungsintervalls in Zyklen. Das 4-sekündige Vorblinken der Blinkleuchte signalisiert, dass das Intervall erreicht ist. Wenn die PF-Funktion (Vorblinken) aktiviert ist, werden 4 Sekunden Vorblinken zur eingestellten Zeit hinzugezählt. Um den Zähler nach der Wartung zurückzusetzen, genügt es, die Zyklen noch einmal zu programmieren.

00	kein Zähler (Standard) Zyklen
01	1000 Zyklen	20	20000 Zyklen
02	2000 Zyklen		

ACHTUNG

Alle Änderungen an den durch Kennwort geschützten Funktionen (Kraft und Geschwindigkeit) erfordern eine Überprüfung der Geschwindigkeit und der Kraft gemäß den EU-Vorschriften: EN 12453, EN 60335-2-103..

00	Kein Kennwort ausgewählt (Standard)
01 → 02 → → 99	Auswahl verfügbar



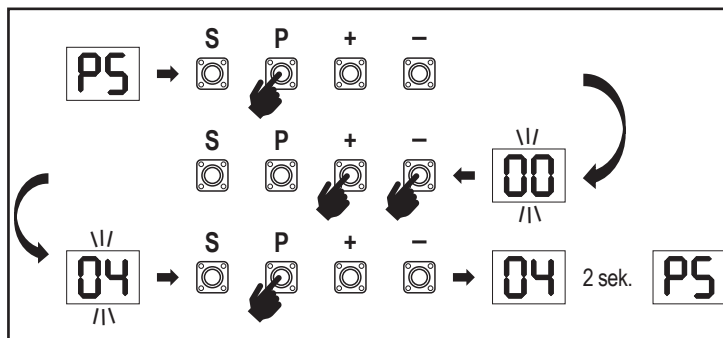
7. PROGRAMMIERUNG

7.7.15b Verwendung des Kennworts

1. Wählen Sie die Funktion „PS“ und drücken Sie die Taste „P“.
2. Auf dem Display blinkt „00“.
3. Verwenden Sie die Tasten „+“ und „-“, um das richtige Kennwort einzugeben und drücken Sie die Taste „P“ zur Bestätigung.
4. Wenn das richtige Kennwort eingegeben wurde, zeigt das Display den Wert für 2 Sekunden an und wechselt dann zu „PS“.
5. Wählen Sie die geschützte Funktion, die Sie einstellen möchten.

HINWEIS: Wenn das eingegebene Kennwort nicht korrekt ist, blinkt „00“ für 5 Sekunden und wechselt dann zu „PS“. Verwenden Sie das richtige Kennwort für den Zugriff auf geschützte Funktionen.

Achtung: Die kennwortgeschützten erweiterten Einstellungen können nur von einem geschulten Fachmann vorgenommen werden. Die Anforderungen der EN 12453, EN 13241; müssen erfüllt werden.

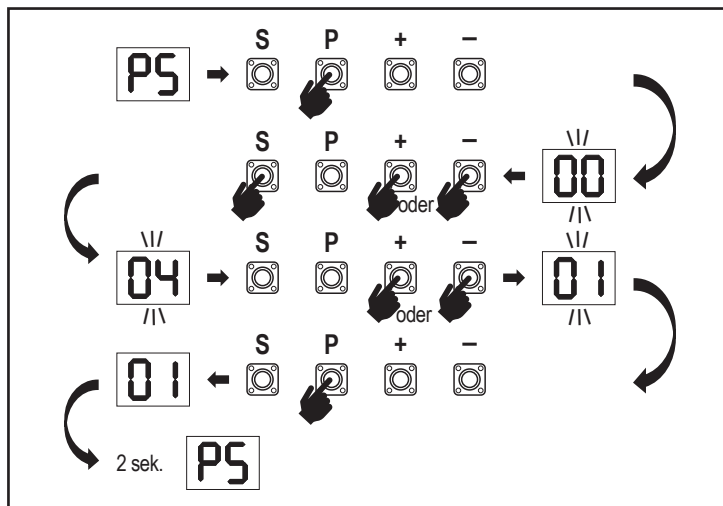


7.7.15c Kennwort ändern

1. Wählen Sie die Funktion „PS“ und drücken Sie die Taste „P“.
2. Auf dem Display blinkt „00“.
3. Verwenden Sie die Tasten „+“ oder „-“, um das aktuelle Kennwort einzugeben und drücken Sie die Taste „S“. Der Wert beginnt zu blinken.
4. Verwenden Sie die Tasten „+“ oder „-“, um das NEUE Kennwort einzugeben und drücken Sie die Taste „P“.
5. Der geänderte Wert des Kennworts wird 2 Sekunden lang angezeigt. Dann wechselt das Display zu „PS“.

HINWEIS: Wenn ein falsches (aktuelles) Kennwort eingegeben wurde, blinkt "00" für 5 Sekunden und wechselt dann zu „PS“. Das Kennwort wird nicht geändert.

Wenn das Kennwort verloren geht, verwenden Sie die Funktion Werkseinstellung (Fd), um zu den Standardeinstellungen zurückzukehren. Alle Einstellungen (außer dem Funkspeicher) werden gelöscht. Siehe Seite 18.



7.7.15d Kranfeinstellungen Motor 1 und 2 in Öffnungs- und Schließrichtung

Kranfeinstellung Motor 1 in AUF-Richtung

F1

Kranfeinstellung Motor 1 in AUF-Richtung ermöglicht die Einstellung der Kraft zusätzlich zu der in der Lernphase eingelesenen Kraft. Für den Zugriff auf diese Funktion muss ein Kennwort eingegeben werden.

00	Standardkraft (Standard)	02	+30 %
01	+15 %	03	+50 %

Kranfeinstellung Motor 1 in ZU-Richtung

F2

Kranfeinstellung Motor 1 in ZU-Richtung ermöglicht die Einstellung der Kraft zusätzlich zu der in der Lernphase eingelesenen Kraft. Für den Zugriff auf diese Funktion muss ein Kennwort eingegeben werden.

00	Standardkraft (Standard)	02	+30 %
01	+15 %	03	+50 %

Kranfeinstellung Motor 2 in AUF-Richtung

F3

Kranfeinstellung Motor 2 in AUF-Richtung ermöglicht die Einstellung der Kraft zusätzlich zu der in der Lernphase eingelesenen Kraft. Für den Zugriff auf diese Funktion muss ein Kennwort eingegeben werden.

00	Standardkraft (Standard)	02	+30 %
01	+15 %	03	+50 %

Kranfeinstellung Motor 2 in ZU-Richtung

F4

Kranfeinstellung Motor 2 in ZU-Richtung, ermöglicht die Einstellung der Kraft zusätzlich zu der in der Lernphase eingelesenen Kraft. Für den Zugriff auf diese Funktion muss ein Kennwort eingegeben werden.

00	Standardkraft (Standard)	02	+30 %
01	+15 %	03	+50 %

7.7.15e Geschwindigkeitseinstellungen Motor 1 und 2 Öffnungs- und Schließrichtung

Geschwindigkeitseinstellungen Motor 1 und 2 in AUF-Richtung

S1

Die Geschwindigkeit der Motoren 1 und 2 in AUF-Richtung ermöglicht die Einstellung der Öffnungsgeschwindigkeit im Vergleich zu der in der Lernphase eingelesenen Geschwindigkeit. Für den Zugriff auf diese Funktion muss ein Kennwort eingegeben werden.

00	Standardgeschwindigkeit (Standard)	04	+50 %
01	+10 %	05	-10 %
02	+20 %	06	-20 %
03	+30 %		

7. PROGRAMMIERUNG

Geschwindigkeitseinstellungen Motor 1 und 2 in ZU-Richtung

S2

Die Geschwindigkeit der Motoren 1 und 2 in ZU-Richtung ermöglicht die Einstellung der Schließgeschwindigkeit im Vergleich zu der in der Lernphase eingelesenen Geschwindigkeit. Für den Zugriff auf diese Funktion muss ein Kennwort eingegeben werden.

00	Standardgeschwindigkeit (Standard)	04	+50 %
01	+10 %	05	-10 %
02	+20 %	06	-20 %
03	+30 %		

7.7.15f Soft-Stop-Geschwindigkeit

SF

Die Funktion Soft-Stop-Geschwindigkeit ermöglicht die Anpassung der Soft-Stop-Geschwindigkeit im Vergleich zu den Standardwerten, die während der Lernphase eingelesen wurden. Die Soft-Stop-Geschwindigkeit beträgt 50 % der Standardgeschwindigkeit gemäß der Standardeinstellung. Die Änderung der Standardgeschwindigkeit wirkt sich auf die Soft-Stop-Geschwindigkeit aus.

Für den Zugriff auf diese Funktion muss ein Kennwort eingegeben werden.

00	Standardgeschwindigkeit (Standard)	04	-50 %
01	-10 %	05	+10 %
02	-20 %	06	+20 %
03	-30 %		

8. BATTERIE-BACKUP

Batterie-Backup-Modus

bu

2 optionale 12V, 2.2Ah Bleibatterien SKU 490EV (optional, nicht im Lieferumfang enthalten) können im Inneren der E-Box montiert werden. Follow the manual of SKU 490EV for exact installation procedure. Eine Blinkleuchte (falls montiert) blinkt alle 10 Minuten für 2 Sekunden und zeigt den BBU-Modus und den Stromausfall an. Die Steuerung schaltet in den Standby-Modus mit aktivem Funkempfänger, der nur Befehle von Funksteuergeräten annimmt. Alle anderen Zubehörteile und Peripheriegeräte sind nicht funktionsfähig.

Im Batterie-Backup-Modus werden die myQ Smartphone-Steuerung und die drahtlosen myQ-Geräte deaktiviert. Die Kapazität voll aufgeladener Batterien muss bis zu ~20 Zyklen bei einer Rate von 2 pro Stunde unterstützen. Nach 24 Stunden im BBU-Betrieb muss die Batterie Strom für einen vollständigen Öffnungs- und Schließzyklus liefern. Bitte beachten Sie, dass nur die angegebene Batterie verwendet werden kann. Die Verwendung einer anderen Batterie führt zum Verlust der Garantie und der Haftung von LiftMaster für Schäden, die durch die Verwendung nicht spezifizierter Batterien entstehen.

9. FEHLERCODES

LED	Fehlercode	Problem	Mögliche Ursache	Lösung
E0	E0	Handsender gedrückt, aber keine Torbewegung	AP ist auf 00 eingestellt	Prüfen Sie, ob AP auf 00 eingestellt ist. Wenn ja, ändern Sie die Einstellung für die richtige Anwendung.
E1	E1	Das Tor lässt sich nicht schließen, kann sich aber öffnen.	1) IR1 ist nicht angeschlossen, oder das Kabel ist durchtrennt.	1) Prüfen Sie, ob IR1 nicht angeschlossen ist oder ob das Kabel durchtrennt ist.
			2) Die Leitung IR1 ist kurzgeschlossen oder verkehrt herum angeschlossen.	2) Prüfen Sie die IR1-Verbindung, tauschen Sie ggf. die Drähte aus.
			3) IR1 ist für einen Moment nicht ausgerichtet oder blockiert.	3) Richten Sie IR-Handsender und -Empfänger so aus, dass beide LEDs leuchten, anstatt zu blinken. Vergewissern Sie sich, dass nichts am Tor hängt, was die Infrarotstrahlung blockieren könnte.
E2	E2	Das Tor kann aus der AUF-Position geschlossen werden, aber öffnet nicht aus der ZU-Position.	1) IR2 ist nicht angeschlossen, oder das Kabel ist durchtrennt.	1) Prüfen Sie, ob IR2 nicht angeschlossen ist oder ob das Kabel durchtrennt ist.
			2) Die Leitung IR2 ist kurzgeschlossen oder verkehrt herum angeschlossen.	2) Prüfen Sie die IR2-Verbindung, tauschen Sie ggf. die Drähte aus.
			3) IR2 ist für einen Moment nicht ausgerichtet oder blockiert.	3) Richten Sie IR-Handsender und -Empfänger so aus, dass beide LEDs leuchten, anstatt zu blinken. Vergewissern Sie sich, dass der Infrarotstrahl nicht blockiert ist.
E3	E3	Handsender gedrückt, aber keine Torbewegung	1) IR3 ist nicht angeschlossen, oder das Kabel ist durchtrennt.	1) Prüfen Sie, ob IR3 nicht angeschlossen ist oder ob das Kabel durchtrennt ist.
			2) Die Leitung IR3 ist kurzgeschlossen oder verkehrt herum angeschlossen.	2) Prüfen Sie die IR3-Verbindung, tauschen Sie ggf. die Drähte aus.
			3) IR3 ist für einen Moment nicht ausgerichtet oder blockiert.	3) Richten Sie IR-Handsender und -Empfänger so aus, dass beide LEDs leuchten, anstatt zu blinken. Vergewissern Sie sich, dass nichts am Tor hängt, was in kurzer Zeit eine IR-Blockierung verursachen könnte.

7.8 Werkseinstellung

Fd

Mit der Funktion Werkseinstellung wird die Steuerung auf die ursprünglichen Werkseinstellungen zurückgesetzt. Alle Einstellungen, einschließlich der Endlageneinstellungen, werden gelöscht. Auf der LED-Anzeige wird „E0“ angezeigt. Programmierte Handsender bleiben eingelesen. Wenn die Fernbedienung gelöscht werden müssen, lesen Sie den entsprechenden Abschnitt zur Funk-Programmierung in diesem Handbuch.

00	Kein Reset (Standard)
01	Auf die Werkseinstellungen zurücksetzen

7.9 Fertigstellen und Beenden

FE

Um die Programmierphase zu verlassen und alle Änderungen zu speichern, gehen Sie zur Funktion FE und drücken Sie die Taste „P“. Die Steuerung geht in den Standby-Modus und ist betriebsbereit.

Es gibt auch andere Möglichkeiten, die Programmierung zu verlassen und Einstellungen zu speichern:

- Drücken und halten Sie die Taste „P“ für 5 Sekunden
- Warten Sie 3 Minuten nach den letzten Änderungen in der Programmierung für die automatische Beendigung

9. FEHLERCODES

LED	Fehlercode	Problem	Mögliche Ursache	Lösung
E4	E4	Handsender gedrückt, aber keine Torbewegung	1) Die Kontaktleiste ist nicht mit dem 8,2-kOhm-Widerstand verbunden.	1) Überprüfen Sie, ob die 8,2 kOhm-Kontaktleiste richtig angeschlossen ist oder ob der 8,2 kOhm-Widerstand installiert ist.
			2) Der Kontaktleistendraht ist kurzgeschlossen.	2) Überprüfen Sie die Drähte der Kontaktleiste und tauschen Sie sie bei Bedarf aus.
			3) Die Kontaktleiste ist gedrückt.	3) Überprüfen Sie, ob die Kontaktleiste gedrückt ist.
E5	E5	Handsender gedrückt, aber keine Torbewegung	1) Der STOP-Schalter ist geöffnet.	1) Prüfen Sie, ob der STOP-Schalter offen oder beschädigt ist.
			2) STOP-Schalter ist nicht angeschlossen.	2) Prüfen Sie, ob der STOP-Schalter abgeklemmt ist. Wenn ja, dann schließen Sie den STOP-Schalter wieder an oder ändern Sie die entsprechende Eingangseinstellung auf einen anderen Wert.
E7	E7	Handsender gedrückt, aber keine Torbewegung	Motor 1 ausgefallen.	Schalten Sie den Strom für 20 Sekunden aus und setzen Sie ihn zurück, um zu prüfen, ob die Steuerung wieder funktioniert. Wenn nicht, Steuerung wechseln.
E8	E8	Handsender gedrückt, aber keine Torbewegung	Motor 2 ausgefallen.	Schalten Sie den Strom für 20 Sekunden aus und setzen Sie ihn zurück, um zu prüfen, ob die Steuerung wieder funktioniert. Wenn nicht, Steuerung wechseln.
E9	E9	Handsender gedrückt, aber keine Torbewegung	Fehler im Speicher der Steuerung.	Schalten Sie den Strom für 20 Sekunden aus und setzen Sie ihn zurück, um zu prüfen, ob die Steuerung wieder funktioniert. Wenn nicht, Steuerung wechseln.
F1	F1	Motor 1 stoppt und reversiert beim Öffnen oder Schließen.	Motor 1 ist blockiert.	Prüfen und beseitigen Sie die Blockierung.
F2	F2	Motor 2 stoppt und reversiert beim Öffnen oder Schließen.	Motor 2 ist blockiert.	Prüfen und beseitigen Sie die Blockierung.
F3	F3	Motor 1 stoppt und reversiert beim Öffnen oder Schließen.	Motor 1 ist blockiert oder der Drehzahlsensor ist beschädigt.	Prüfen Sie, ob der Motor 1 blockiert oder der Drehzahlsensor beschädigt ist. Beseitigen Sie das Hindernis oder ersetzen Sie den Motor 1.
F4	F4	Motor 2 stoppt und reversiert beim Öffnen oder Schließen.	Motor 2 ist blockiert oder der Drehzahlsensor ist beschädigt.	Prüfen Sie, ob der Motor 2 blockiert oder der Drehzahlsensor beschädigt ist. Beseitigen Sie das Hindernis oder ersetzen Sie den Motor 2.
F5	F5	Drücken Sie den Handsender, aber der Motor bewegt sich nicht.	Funkmodul defekt.	Schalten Sie den Strom für 20 Sekunden aus und setzen Sie ihn zurück, um zu prüfen, ob die Steuerung wieder funktioniert. Wenn nicht, Steuerung wechseln.
F6	F6	Reversierung des Tors beim Schließen.	Niedriger Batteriestand.	Batterie aufladen.
F7	F7	Handsender gedrückt, aber keine Torbewegung	Steuerung beschädigt.	Schalten Sie den Strom für 20 Sekunden aus und setzen Sie ihn zurück, um zu prüfen, ob die Steuerung wieder funktioniert. Wenn nicht, Steuerung wechseln.
F9	F9	Handsender oder Taster gedrückt, aber der Motor reagiert nicht.	Das AP-Menü ist auf die Werkseinstellungen zurückgesetzt.	Grundeinstellungen neu setzen.
LE	LE	Der Motor bleibt plötzlich stehen.	Lernphase nicht abgeschlossen	Lernphase abschließen.

10. TECHNISCHE SPEZIFIKATIONEN

		AA250EVK			AA250EVK
Eingangsspannung	VAC	220-240	Externe Stromversorgung für Zubehör		24VDC - max. 500mA
Eingangsfrequenz	Hz	50/60	Anschluss für Blinkleuchte		24VDC - max. 500mA
Motorspannung	VDC	24V	E-Lock / Magnetischer Lock-Anschluss		24VDC - max. 500mA
„Standby-Verbrauch (ohne Zubehör)“	W	3.2	Externes Relais		24VDC - max. 500mA
Motor Nennleistung	W	100W (AA250-24P) 50W (AA250-24S)	Sicherheitsleiste		8,2 kOhm
Nennlast	Nm	72,4	Max. Anzahl der IRs		3
Maximales Drehmoment	Nm	200	Max. Anzahl der externen Eingänge		3
Zyklen pro Stunde		10	Batterie-Backup-Einheit		2 x 12V, 2.2Ah Modell 490EV
Max. Zyklen pro Tag		30	Schutzklasse Motor	IP	44
Max. Flügelbreite / Gewicht	m / kg	1.5m / 250kg 2.0m / 200kg 2.5m / 150kg	Lärmpegel	dB	< 70 db(A)
			Betriebstemperatur	°C	-20°C bis +55°C
Max. Öffnungswinkel		120°	Gewicht (Kit)	Kg	20
Zeit bis zum Öffnen auf 90°	s	13-15	Handsenderfrequenz	TX4EVF	868MHz (868.30MHz, 868.95MHz, 869.85MHz)
Endlimit-System		Drehgeber mit harten Anschlägen	Sendeleistung		<10 mW
Antriebsfrequenz	MHz	RX 433MHz (433.30MHz, 433.92MHz, 434.54MHz) RX 868MHz (868.30MHz, 868.95MHz, 869.85MHz) TX 865.125MHz, 865.829MHz, 866.587MHz	Batterie		CR2032 3V
Sendeleistung				<10 mW	
Code		Security+ 2.0			
Max. Anzahl der Fernbedienungen		180			
Max. Anzahl von Tastenfeldern		4			
Max. Anzahl der myQ-Geräte		16			

11. WARTUNG

Batterien in der Fernbedienung austauschen

Batterie der Fernbedienung:

Die Batterien in der Fernbedienung haben eine extrem lange Lebensdauer. Wenn die Reichweite abnimmt, müssen die Batterien ausgetauscht werden. Batterien fallen nicht unter die Garantie.

Bitte beachten Sie die folgenden Hinweise zur Batterie:

Batterien sollten nicht als Hausmüll behandelt werden. Alle Benutzer sind gesetzlich verpflichtet, Batterien an den dafür vorgesehenen Sammelstellen ordnungsgemäß zu entsorgen. Laden Sie niemals Batterien auf, die nicht zum Aufladen bestimmt sind.

Explosionsgefahr!

Halten Sie Batterien von Kindern fern, schließen Sie sie nicht kurz und nehmen Sie sie nicht auseinander. Suchen Sie sofort einen Arzt auf, wenn eine Batterie verschluckt wurde. Reinigen Sie ggf. die Kontakte der Batterie und der Geräte vor dem Laden. Entfernen Sie leere Batterien sofort aus dem Gerät!

Erhöhte Gefahr des Auslaufens!

Setzen Sie Batterien niemals übermäßiger Hitze wie Sonnenschein, Feuer oder Ähnlichem aus!

Es besteht eine erhöhte Gefahr des Auslaufens!

Vermeiden Sie den Kontakt mit Haut, Augen und Mund. Spülen Sie die von der Batteriesäure betroffenen Stellen mit reichlich kaltem Wasser ab und suchen Sie sofort einen Arzt auf. Verwenden Sie nur Batterien desselben Typs. Nehmen Sie die Batterien heraus, wenn das Gerät längere Zeit nicht benutzt wird.

Austausch der Batterie:

Um die Batterie zu wechseln, drehen Sie die Fernbedienung um und öffnen Sie das Gehäuse mit einem Schraubenzieher. Heben Sie die Abdeckung und die Steuerung darunter an. Schieben Sie die Batterie zur Seite und nehmen Sie ihn heraus. Achten Sie auf die Polarität der Batterie! In umgekehrter Richtung wieder zusammenbauen.

ACHTUNG!

Es besteht Explosionsgefahr, wenn die Batterie unsachgemäß ausgetauscht wird. Ersatz nur durch identischen oder gleichwertigen Typ (CR2032) 3V.

VORSICHT

Es besteht Explosionsgefahr, wenn eine Batterie des falschen Typs eingesetzt wird.

Batterien nicht verschlucken; Verätzungsgefahr.

Dieses Produkt enthält eine Münzbatterie. Wenn sie verschluckt werden, können Knopf- und Münzbatterien zu Verletzungen oder zum Tod führen.

WARNUNG

- Bewahren Sie Batterien außer Sichtweite und außerhalb der Reichweite von Kindern auf; Knopf- und Münzbatterien können für Kinder gefährlich sein.
- Entsorgen Sie verbrauchte Knopf- und Münzbatterien sofort. Verwenden Sie keine defekten / verschluckten Batterien.
- Prüfen Sie regelmäßig, ob das Batteriefach sicher ist und verwenden Sie es nicht mehr, wenn es defekt ist.
- Wenn Sie glauben, dass eine Batterie verschluckt wurde oder sich anderweitig im Körper befindet, suchen Sie unverzüglich ärztliche Hilfe auf.



Der Antriebsmechanismus

Der Antriebsmechanismus ist wartungsfrei. Prüfen Sie in regelmäßigen Abständen (monatlich), ob die Torbeschläge und der Antrieb sicher befestigt sind. Lassen Sie den Antrieb los und prüfen Sie, ob das Tor ordnungsgemäß funktioniert. Wenn das Tor nicht leichtgängig ist, funktioniert es nicht richtig mit dem Antrieb. Der Antrieb kann die Probleme, die durch ein nicht korrekt funktionierendes Tor entstehen, nicht beseitigen.


Endschalteneinstellung und Kraftregelung


Diese Einstellungen müssen bei der Montage des Öffners überprüft und korrekt vorgenommen werden! Aufgrund von Witterungseinflüssen können während des Betriebs des Öffners kleinere Veränderungen auftreten, die durch eine neue Einstellung behoben werden müssen. Dies kann insbesondere im ersten Betriebsjahr der Fall sein. Befolgen Sie die Anweisungen zum Einstellen der Wegbegrenzungen und der Kraft (siehe Abschnitt Grenzwertlernen der Begrenzungen, Seite 11 und 12) sorgfältig und überprüfen Sie die automatische Sicherheitsumkehr nach jeder Rückstellung erneut!

Demontage

WICHTIGER Hinweis! Beachten Sie die Sicherheitshinweise. Siehe "Sicherheitshinweise" (Seite 2 und 3). Die im Abschnitt „Montage“ beschriebene Reihenfolge, jedoch in umgekehrter Reihenfolge. Ignorieren Sie die Einrichtungsanweisungen.

12. ENTSORGUNG

 Unsere Elektro- und Elektronikgeräte dürfen nicht mit dem Hausmüll entsorgt werden und müssen nach Gebrauch ordnungsgemäß gemäß der WEEE-Richtlinie der EU entsorgt werden: 2012/19/EU; GB UK(NI): SI 2012 Nr. 19 über Elektro- und Elektronikaltgeräte, um sicherzustellen, dass die Materialien recycelt werden. Die getrennte Sammlung von Elektroaltgeräten bedeutet eine umweltgerechte Entsorgung und ist für den Verbraucher völlig kostenlos. WEEE-Reg.-Nr. in Deutschland: DE66256568. Verpackungsabfälle, die beim Endverbraucher verbleiben, müssen gemäß der Richtlinie getrennt vom gemischten Abfall gesammelt werden. Die Verpackungen dürfen nicht über den Hausmüll, den Biomüll oder in der Natur entsorgt werden. Das Verpackungsmaterial muss nach seinem Material getrennt und in den dafür vorgesehenen Recycling-Behältern sowie in bestimmten kommunalen Recycling-Tonnen entsorgt werden.

 Unsere Batterien werden in Übereinstimmung mit den gesetzlichen Bestimmungen vermarktet. Die „durchgestrichene Mülltonne“ bedeutet, dass Batterien nicht mit dem Hausmüll entsorgt werden dürfen. Im Produkt enthaltene Batterien (technische Daten). Um Umwelt- und Gesundheitsschäden zu vermeiden, müssen Altbatterien zur geregelten Entsorgung an den kommunalen Wertstoffhöfen oder über die Durchkontaktierung im Handel zurückgegeben werden, wie es das Gesetz vorschreibt. Batterien dürfen nur in vollständig entladenerem Zustand und bei Lithiumbatterien mit überklebten Polen zur Entsorgung gebracht werden. Die Batterien können zur Entsorgung einfach aus unseren Geräten entnommen werden. Registrierungsnummer in Deutschland: 21002670.

13. GARANTIE

Ihre gesetzlichen Rechte werden durch diese Herstellergarantie nicht berührt. Die Laufzeiten der Garantie entnehmen Sie bitte www.liftmaster.eu.

14. KONFORMITÄTSERKLÄRUNG

Das Handbuch besteht aus dieser Betriebsanleitung und der Konformitätserklärung.

Der Funkgerätetyp (TX4EVF) entspricht der Richtlinie 2014/53/EU und für Großbritannien der Funkgeräteverordnung SI 2017 Nr. 1209.

Der vollständige Text der EU-Konformitätserklärung ist unter folgender Internetadresse abrufbar: <https://doc.chamberlain.de>

SPIS TREŚCI

UWAGA: Instrukcja instalacji i obsługi zostały oryginalnie sporządzone w języku angielskim. Pozostałe wersje językowe są tłumaczeniami oryginalnej wersji angielskiej.

1. INSTRUKCJE DOTYCZĄCE BEZPIECZEŃSTWA I PRZEZNACZENIA	2
2. ZAWARTOŚĆ ZESTAWU	4
3. NIEZBĘDNE NARZĘDZIA	4
4. OMÓWIENIE NAPĘDU BRAMY	4
5. MONTAŻ	5
5.1 Wymiary bramy i napędu	5
5.2 Określanie położenia wspornika na słupek	5
5.3 Montaż wspornika na słupek	6
5.4 Montaż napędu i regulacja odległości ruchu	6
5.5 Mechanizm zwalniania awaryjnego	8
5.6 Montaż sterownika i przewodów silnika	8
5.7 Montaż przewodów	8
6. SCHEMAT POŁĄCZEŃ	9
7. PROGRAMMING	10
7.1 Wyświetlacz, przyciski programowania i ustawienia funkcji	10
7.2 Omówienie programowania	10
7.3 Kierunek ruchu skrzydeł	11
7.4 Podstawowe ustawienia	11
7.4.1 Ustawienia zastosowania	11
7.4.2 Ustawienia kierunku silnika 1	11
7.4.3 Ustawienia kierunku silnika 2	11
7.4.4 Uczenie położen granicznych	11
7.5 Tryb oczekiwania	12
7.6 Programowanie i kasowanie pilotów, akcesoriów radiowych i urządzeń myQ	13
7.7 Zaawansowane ustawienia	14
7.7.1 Przegląd ustawień zaawansowanych	14
7.7.2 Ustawienia nadajnika	14
7.7.3 Ustawienia fotokomórek na podczerwień	14
7.7.4 Ustawienia sygnałów wejściowych	14
7.7.5 Częściowe otwarcie (Silnik 1)	15
7.7.6 Opóźnienie silnika 2 w kierunku otwierania	15
7.7.7 Opóźnienie silnika 1 w kierunku zamykania	15
7.7.8 Timer zamykania	15
7.7.9 Czas odwrócenia kierunku po zderzeniu	15
7.7.10 Ustawienia zamka elektrycznego/magnetycznego	15
7.7.10a Odciążenie silnikiem 1 zamka elektrycznego	16
7.7.11 Ustawienia sygnałów świetlnych	16
7.7.11a Wstępny sygnał świetlny	16
7.7.12 Specjalne ustawienia styku	16
7.7.13 Prędkość rozpoczęcia ruchu otwarcia i zamknięcia	16
7.7.14 Licznik serwisowy	16
7.7.15 Opis i konfiguracja funkcji zabezpieczenia hasłem	16
7.7.15a Zmiana hasła	16
7.7.15b Używanie hasła	17
7.7.15c Zmiana hasła	17
7.7.15d Siła silników 1 oraz 2 podczas otwarcia i zamknięcia	17
7.7.15e Prędkość silników 1 i 2 podczas ruchu otwarcia i zamknięcia	17
7.7.15f Prędkość łagodnego zatrzymania (Soft-Stop)	18
7.8 Domyślne ustawienia fabryczne	18
7.9 Kończenie pracy i wyjście	18
8. AWARYJNE ZASILANIE AKUMULATOROWE	18
9. KODY BŁĘDU	18
10. DANE TECHNICZNE	19
11. MAINTENANCE	20
12. DISPOSAL	20
13. WARRANTY	20
14. DEKLARACJA ZGODNOŚCI	20

1. INSTRUKCJE BEZPIECZEŃSTWA I PRZEZNACZENIE

Informacje o tej instrukcji – oryginalna instrukcja

Niniejsza instrukcja stanowi instrukcję oryginalną w rozumieniu dyrektywy w sprawie maszyn 2006/42 WE. Należy uważnie przeczytać instrukcję obsługi, ponieważ zawiera ona ważne informacje o produkcie. Należy przestrzegać wskazówek bezpieczeństwa i ostrzeżeń. Instrukcję należy przechowywać w bezpiecznym miejscu, aby można było z niej skorzystać w przyszłości i aby była dostępna dla wszystkich osób dokonujących przeglądu, obsługi, konserwacji i naprawy. Po zakończeniu montażu należy przekazać kompletną dokumentację osobie odpowiedzialnej / właścicielowi.

Kwalifikacja kompetentnego instalatora

Bezpieczeństwo instalacji i możliwość użytkowania jej zgodnie z przeznaczeniem są uwarunkowane prawidłową instalacją i konserwacją, która powinna być wykonywana instalatora (specjalistę) / lub firmę o stosownych kompetencjach, zgodnie z niniejszą instrukcją. Specjalistą jest osoba, która ze względu na swoje wykształcenie techniczne i doświadczenie posiada wystarczającą wiedzę w zakresie bram z napędem, a ponadto zna odpowiednie państwowe przepisy bezpieczeństwa pracy i ogólnie przyjęte zasady techniki w stopniu, które pozwolą jej ocenić bezpieczeństwo stanu technicznego bram z napędem zgodnie z normami EN 13241, 12604, 12453 (EN12635).

Instalator musi rozumieć, co następuje:

Przed zamontowaniem napędu należy sprawdzić, czy część napędzana jest w dobrym stanie mechanicznym, czy prawidłowo otwiera się i zamyka, a także czy jest prawidłowo wyważona.

Przed pierwszym użyciem i co najmniej raz w roku specjalista musi sprawdzić stan bramy pod względem bezpieczeństwa. Po zakończeniu montażu instalator musi upewnić się, że mechanizm jest właściwie wyregulowany, a system zabezpieczający i funkcja ręcznego zwolnienia, jeśli jest dostępna, działają prawidłowo (EN 13241, EN12604, EN 12453, EN 12635). Należy przeprowadzać regularną konserwację i przeglądy zgodnie z normami. Instalator musi poinstruować pozostałych użytkowników w zakresie bezpiecznej obsługi systemu napędowego.

Po pomyślnym zainstalowaniu systemu napędowego, odpowiedzialny instalator, zgodnie z przepisami: Dyrektywa w sprawie maszyn 2006/42/WE: Machinery Directive 2006/42/EC.

Supply of Machinery (Safety) Regulations 2008 SI 2008 No. 1597, musi wydać deklarację: CE zgodności dotyczącej systemu bramowego. Etykieta CE musi zostać zamocowana na systemie bramy. Ta procedura jest również obowiązkowa w przypadku doposażenia bramy w napęd ręczny. Ponadto należy sporządzić protokół zdawczo-odbiorczy oraz książkę kontroli.

Prosimy o zapoznanie się z instrukcją obsługi, a w szczególności z informacjami dotyczącymi środków ostrożności. Przed poleceniami zawartymi w niniejszych instrukcjach umieszczono następujące symbole ostrzegające o niebezpieczeństwie obrażeń ciała lub uszkodzeń mienia. Przeczytaj uważnie niniejszą instrukcję.

Symbol ostrzeżeń

Ogólny symbol ostrzegawczy wskazujący na niebezpieczeństwo, które może prowadzić do obrażeń lub śmierci. W części tekstowej zastosowano ogólne symbole ostrzegawcze opisane poniżej.

Symbol NIEBEZPIECZEŃSTWO	Symbol OSTRZEŻENIE	Symbol PRZESTROGA	Symbol UWAGA
 NIEBEZPIECZEŃSTWO	 OSTRZEŻENIE	 PRZESTROGA	UWAGA
Wskazuje na zagrożenie prowadzące bezpośrednio do śmierci lub ciężkich obrażeń ciała.	Wskazuje na zagrożenie, które może prowadzić do śmierci lub poważnych obrażeń.	Wskazuje na zagrożenie, które może doprowadzić do uszkodzenia lub zniszczenia produktu.	Wskazuje na zagrożenie, które może doprowadzić do uszkodzenia lub zniszczenia produktu.

Przeznaczenie

Napęd do bram skrzydłowych został zaprojektowany i przetestowany wyłącznie do obsługi płynnie poruszających się działających bram skrzydłowych w środowiskach mieszkaniowych i niekomercyjnych.

Specyfikacje dla bram zostały określone w wymaganiach mechanicznych określonych normą EN12604.

Nie wolno przekraczać maksymalnej dopuszczalnej wielkości bramy i maksymalnego ciężaru. Brama musi się płynnie otwierać i zamykać przy popchnięciu ręką. Napęd należy stosować wyłącznie w bramach zgodnych z obowiązującymi normami i wytycznymi. Przy stosowaniu paneli do bram i drzwi należy uwzględnić regionalne warunki obciążenia wiatrem wg norm EN13241. Podczas dobierania bramy i napędu należy przestrzegać danych technicznych producentów. Aby uniknąć ryzyka opisanego w normach EN13241 należy zaprojektować i zamontować bramę zgodnie z odpowiednimi instrukcjami. Ten mechanizm bramy należy zamontować i obsługiwać zgodnie z odpowiednimi zasadami bezpieczeństwa.

Nieodpowiednie użytkowanie

Urządzenie nie jest przeznaczone do ciągłej pracy i zastosowań komercyjnych.

Konstrukcja układu napędu nie jest przeznaczona do pracy z bramami w sposób, który wykracza poza specyfikację producenta.

Urządzenia nie wolno montować na bramach, które poruszają się po powierzchni pochylej.

Każde niewłaściwe użycie układu napędu może zwiększyć ryzyko wypadku. Producent nie ponosi odpowiedzialności za takie zastosowanie. Dzięki temu napędowi bramy automatyczne muszą spełniać wymagania aktualnych, obowiązujących międzynarodowych i krajowych norm, wytycznych i przepisów (EN 13241, EN12604, EN 12453;). Do napędu należy podłączać tylko akcesoria marki LiftMaster lub inne akcesoria zatwierdzone przez producenta. Nieprawidłowy montaż i/lub nieprzestrzeganie poniższych instrukcji może skutkować poważnymi obrażeniami ciała lub zniszczeniem mienia.

Systemy bramowe znajdujące się w miejscach publicznych i wyposażone wyłącznie w ogranicznik siłowy mogą być obsługiwane tylko pod pełnym nadzorem.

Należy rozważyć zastosowanie dodatkowych urządzeń zabezpieczających zgodnie z przepisami EN 12453.

1. INSTRUKCJE BEZPIECZEŃSTWA I PRZEZNACZENIE

Podczas pracy brama nie powinna w żadnym przypadku utrudniać poruszania się po drogach publicznych (terenie publicznym).

Podczas używania narzędzi i drobnych elementów w celu montażu lub naprawy bramy, należy zachować ostrożność i nie nosić na sobie pierścionków, zegarków ani luźnej odzieży.

W celu uniknięcia poważnych obrażeń ciała spowodowanych przytraśnięciem i zapobiec uszkodzeniu bramy, należy usunąć wszelkie mechanizmy zamykające zamontowane na bramie.

Instalacja i okablowanie muszą być wykonane zgodnie z lokalnymi przepisami budowlanymi i elektrycznymi. Kable zasilające mogą być podłączane wyłącznie do prawidłowo uziemionego źródła zasilania.

Przed przystąpieniem do instalacji, konserwacji, napraw lub zdejmowania osłon należy odłączyć zasilanie elektryczne od całego układu. Do sieci zasilającej (stałego podłączenia zasilania) musi być podłączone urządzenie odłączające, gwarantujące odłączenie wszystkich biegunów (odłącznik izolacyjny lub oddzielny bezpiecznik). Naprawy i instalacje elektryczne mogą być wykonywane wyłącznie przez uprawnionego elektryka. Stosownie do oceny ryzyka, w razie potrzeby należy zamontować przycisk zatrzymania awaryjnego.

Należy upewnić się, że uniknięto możliwości uwięzienia części ciała pomiędzy częścią napędzaną a otaczającymi ją częściami stałymi w wyniku ruchu otwierającego części napędzanej, przestrzegając odległości bezpieczeństwa określonych normami EN 13241, EN12604, EN 12453, EN 12635 i/lub zastosować urządzenia zabezpieczające (np. krawędź bezpieczeństwa).

Zaleca się przeprowadzać test funkcji bezpieczeństwa systemu napędowego co najmniej raz w miesiącu. Należy również przestrzegać instrukcji producenta elementów systemu bramy.

Po zakończeniu montażu należy przeprowadzić końcową kontrolę działania układu i urządzeń zabezpieczających, a także poinstruować wszystkich użytkowników w zakresie działania i obsługi napędu bramy przesuwnej.

Systemy bramowe muszą spełniać wymagania dotyczące ograniczenia mocy zgodnie z przepisami EN 12453, EN 60335-2-103.

Przy wszelkich zmianach w układzie należy uwzględnić dodatkowe urządzenia zabezpieczające (np. krawędź bezpieczeństwa), aby spełniał on określoną normę.

Ważne jest, aby upewnić się, że brama zawsze działa sprawnie. Bramy, które się zacinają lub nie przesuwają się płynnie, muszą być natychmiast naprawione. Naprawę bramy należy zlecić wykwalifikowanemu mechanikowi; nigdy nie próbować naprawiać jej samemu. To urządzenie nie jest przeznaczone do użytku przez osoby (w tym dzieci) o ograniczonych zdolnościach fizycznych, sensorycznych lub umysłowych lub nieposiadające doświadczenia lub wiedzy, chyba że są one nadzorowane przez osobę odpowiedzialną za ich bezpieczeństwo lub zostały poinstruowane w zakresie obsługi urządzenia. Jeśli to konieczne, urządzenia sterujące MUSZĄ być zamontowane w zasięgu wzroku bramy i poza zasięgiem dzieci. Dzieci powinny być nadzorowane, aby nie bawiły się urządzeniem. Nie należy zezwalać dzieciom na obsługę przycisków lub pilotów. Niewłaściwe użytkowanie napędu bramy może spowodować poważne obrażenia ciała.

Należy umieścić znaki ostrzegawcze w dobrze widocznych miejscach.

Napęd bramy może być używany TYLKO wtedy, gdy użytkownik widzi cały obszar bramy i ma pewność, że jest on wolny od przeszkód, a napęd bramy jest prawidłowo ustawiony. Nie wolno przechodzić przez obszar bramy, gdy jest ona w ruchu. Dzieci nie mogą bawić się w pobliżu bramy.

Wszystkie zabezpieczenia przed ewentualnym zmiążdżeniem lub uwięzieniem muszą być sprawne natychmiast po zamontowaniu ramion napędowych.

Mogą występować zagrożenia instalacji mechanicznej, elektrycznej oraz krawędzi zamykających bramy w postaci ryzyka zgniecenia lub punktów uderzenia:

- Uszkodzenie konstrukcji, skrzydło, zawiasy, mocowania, ograniczniki ruchu, obciążenie wiatrem
- Zgniecenie, obszar zawiasów, pod bramą, bezpieczna odległość od stałego obiektu
- Awaria elektryczna (Sterowanie – usterki w systemach zabezpieczeń)
- Uderzenie, obszar objęty ruchem, zatrzymanie do uruchomienia, ograniczenie mocy, wykrywanie obecności

Należy podjąć odpowiednie środki bezpieczeństwa w celu zapewnienia bezpiecznej eksploatacji układu bramy zgodnie z normami.

Nigdy nie uruchamiać uszkodzonego napędu.

Mechanizmu ręcznego zwalniania należy używać tylko do odłączania napędu i w miarę możliwości TYLKO przy zamkniętej bramie. Uaktywnienie awaryjnego ręcznego zwalniania napędu może prowadzić do niekontrolowanych ruchów bramy. Brama może być użytkowana bez nadzoru, np. poprzez funkcję timera zamknięcia (ang. Timer-to-Close, TTC) lub aplikację myQ Smartphone Control.

Każde urządzenie lub funkcja, które umożliwiają zamknięcie bramy bez konieczności utrzymywania bramy w linii wzroku są uznawane za mechanizm nienadzorowanego otwierania/zamykania.

Funkcja timera zamykania (ang. Timer to Close, TTC), sterowania za pomocą smartfona myQ i innych urządzeń myQ mogą być aktywowane TYLKO wtedy, gdy zainstalowane są fotokomórki Liftmasters (funkcja TTC działa tylko w kierunku zamknięcia). Brama może być obsługiwana tylko w bezpośredniej linii wzroku użytkownika bramy.

WAŻNA INFORMACJA!



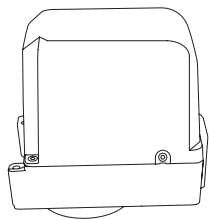
- Ta procedura ta jest obowiązkowa również w przypadku instalacji prywatnych (nowych lub w przypadku montażu układu na istniejącej bramie obsługiwanej ręcznie).
Użytkownik powinien zachować niniejszą instrukcję montażu i obsługi.
- Producent nie ponosi odpowiedzialności za roszczenia gwarancyjne wynikające z użytkowania niezgodnego z przeznaczeniem i po upływie okresu gwarancji.
- Jedynym prawnym środkiem naprawczym ze strony producenta jest jego odpowiedzialność w zakresie obowiązujących praw.

UWAGA: Należy przestrzegać poleceń zawartych w instrukcji montażu i obsługi.

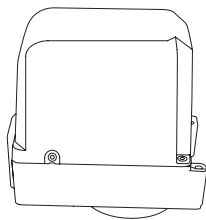
- Należy zawsze kontrolować działanie systemu i w razie zakłóceń natychmiast usuwać przyczyny.
- Kontrolę układu należy przeprowadzać nie rzadziej niż co rok. W tym celu należy skorzystać z usług specjalisty.
- Należy zachować bezpieczną odległość pomiędzy skrzydłem bramy a otoczeniem, zgodnie z obowiązującymi normami.
- Napęd może być instalowany wyłącznie na stabilnych i sztywnych skrzydłach bramy. Skrzydła bramy nie mogą się zginać ani skręcać podczas otwierania i zamykania.
- Zawiasy skrzydła bramy powinny być zainstalowane i działać prawidłowo, nie tworząc żadnych przeszkód.
- Pod żadnym pozorem nie wolno montować dwóch napędów na tym samym skrzydle bramy.
- Należy przestrzegać odpowiednich lokalnych i krajowych przepisów dotyczących środków ochrony zdrowia podczas kontaktu z innymi osobami, w tym pracownikami, dostawcami i klientami (np. zachowanie bezpiecznej odległości, wymóg stosowania masek itp.)
- Dokładne informacje można uzyskać od lokalnych władz.

2. ZAWARTOŚĆ ZESTAWU

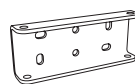
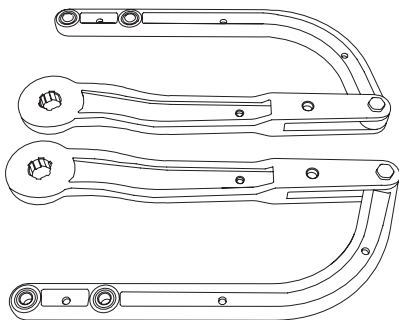
AA250EVK



Jednostka główna z płytą sterownika



Jednostka pomocnicza



Wspornik montażowy na słupek (2x)



Wspornik montażowy na bramę (2x)



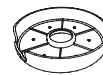
Pierścień Segera (2x)



Śrozeń pierścienia Segera (2x)



Śruba i nakrętka (4x)



Pokrywa (2x)



Śruba i podkładka (2x)



Odciążenie naprężeń 4 x M16 2 x M20



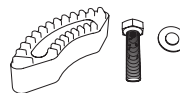
Pierścienie wzmacniające (6x)



Pilot zdalnego sterowania (2 szt.)



Klucz zwalniający (4x)

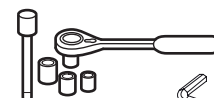
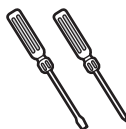
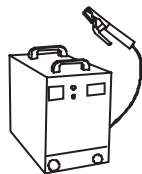
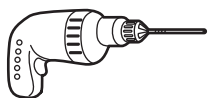


Odbojniki (4x)
Śruby + podkładki (4x)



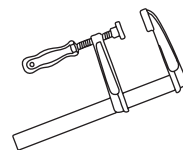
Instrukcja montażu

3. NIEZBĘDNE NARZĘDZIA

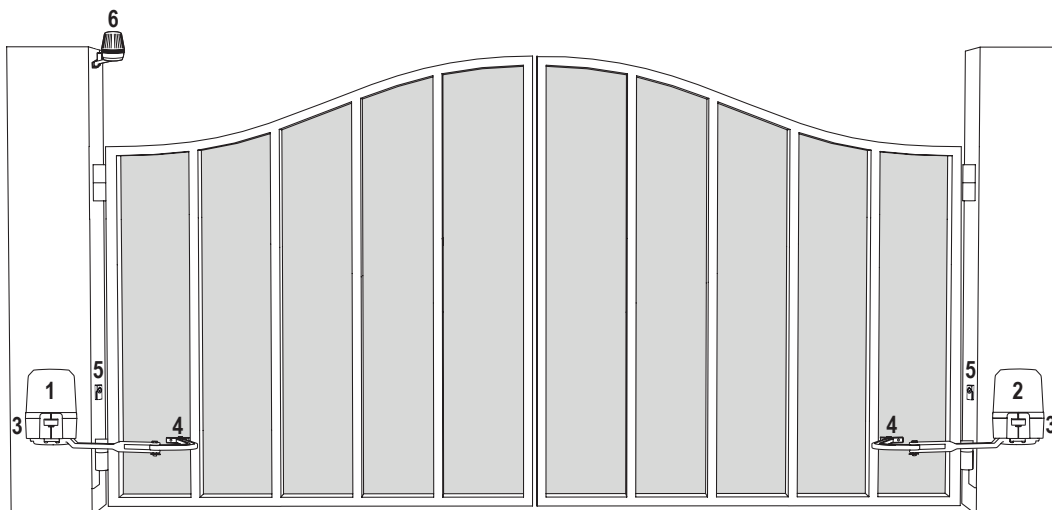


13, 14 mm

6 mm



4. OMÓWIENIE NAPĘDU BRAMY



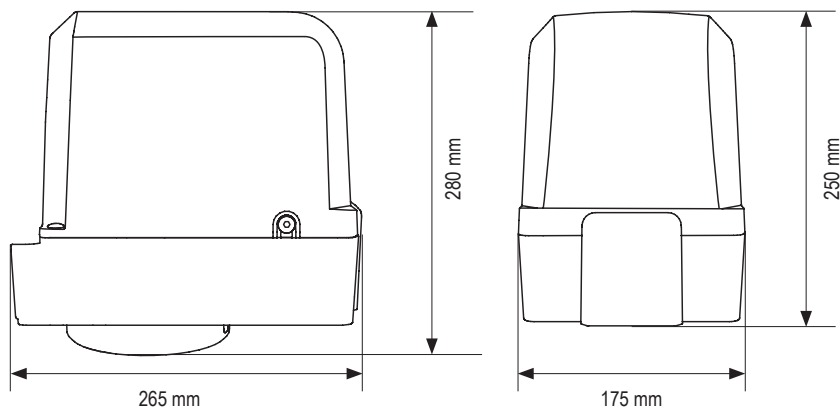
1. Silnik 1 z płytą sterownika
2. Silnik 2
3. Wspornik na słupek (ukryty)
4. Wspornik na bramę
5. Fotokomórki na podczerwień
6. Sygnał świetlny

5. MONTAŻ

W tym rozdziale opisany jest proces mechanicznego montażu napędu bramy.

5.1 Wymiary bramy oraz napędu

AA250EVK



AA250EVK	
1,5 m	250 kg
2,0 m	200 kg
2,5 m	150 kg

Przykład montażu

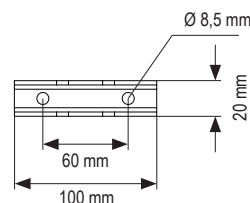
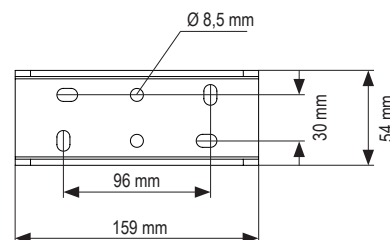
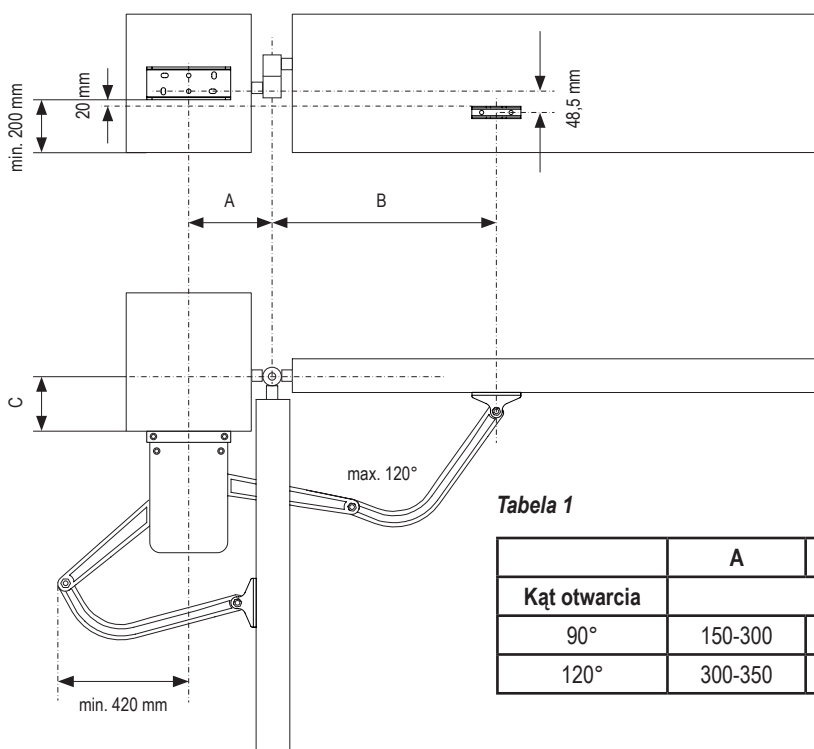


Tabela 1

	A	B	C
Kąt otwarcia	mm		
90°	150-300	390-540	0-300
120°	300-350	300-350	0-25

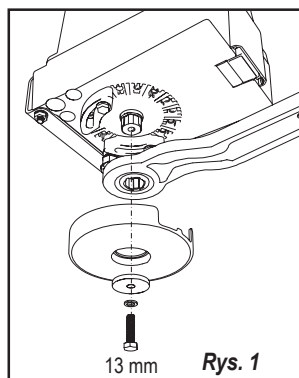
5.2 Określanie położenia wspornika na słupkach

1. Określić wymiary A, B i C na podstawie kąta otwarcia podanego w Tabeli 1, aby potwierdzić położenie, w którym zostanie zamontowany wspornik na słupkach.

UWAGA: Wszystkie punkty zgniotu muszą być zabezpieczone mechanizmami chroniącymi przed uwięzieniem zgodnie z normami UE: EN 12453, EN 60335-2-103; GB (UK, NI): BS EN 12453, BS EN 60335-2-103.

Mocowanie ramienia napędu

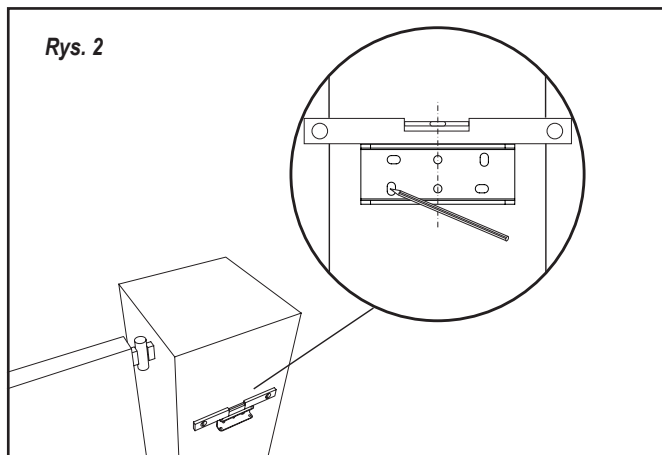
1. Zamocuj ramię silnika na środku napędu otwierającego, od spodu.
2. Zamocować zaślepki za pomocą śruby i podkładki.



5. MONTAŻ

5.3 Montaż wspornika na słupek

1. Korzystając ze wspornika jako wzorca, zaznaczyć i wywiercić otwory pod wspornik na słupku.
2. Zamocować wspornik na słupku za pomocą armatury mocującej dostosowanej do istniejącej struktury (materiału budowlanego) słupka. W razie wątpliwości prosimy o kontakt z producentem bramy.
3. Szczeliny na wsporniku słupka umożliwiają dostosowanie jego ułożenia do potrzeb. Gdy wspornik słupka jest wypoziomowany, dokręcić nakrętki.



UWAGA: W przypadku słupków murowanych lub betonowych należy stosować odpowiednie kołki i wkręty. Należy zachować odpowiednią odległość od krawędzi słupka. W przypadku słupków metalowych należy wziąć pod uwagę grubość słupka i przyspawać lub przykręcić wspornik bezpośrednio do słupka. W przypadku słupków drewnianych należy użyć odpowiednich wkrętów, a w razie potrzeby zastosować płyty wzmacniające. Przestroga: Zamocowane wsporniki nie mogą się poluzować po montażu i podczas pracy.

5.4 Montaż napędu i regulacja odległości ruchu

1. Wyrównać otwory w napędzie z otworami we wsporniku słupka i połączyć je za pomocą zawleczonego pierścienia Segera (patrz rys. 3.a).
2. Podłączyć ramię do wału jednostki silnika (patrz rys. 3.b). Nie montować jeszcze plastikowej osłony ochronnej, jeśli planowany jest montaż odbojników napędu.
3. Zwolnić sprężko napędu za pomocą klucza zwalniającego (patrz rys. 4 na str. 7).
4. Doprowadzić skrzydło bramy do położenia zamknięcia.

UWAGA: Układ musi działać z zainstalowanymi odbojnikami (zewnątrznymi lub w napędzie) dla obu kierunków.

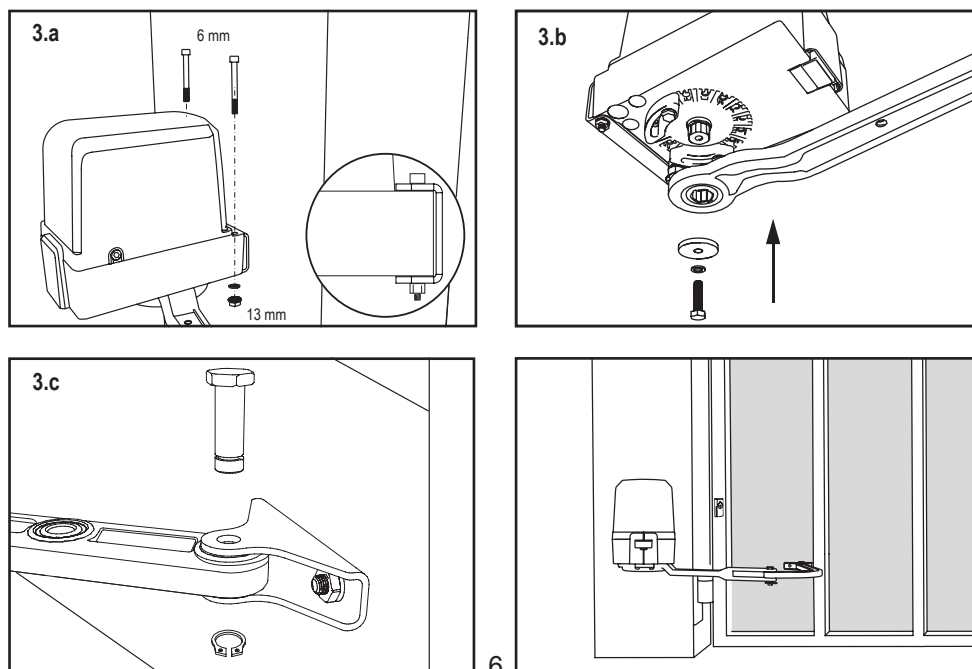
5.4.1 Montaż z zewnętrznymi odbojnikami: (odbojniki bramy są już zamontowane):

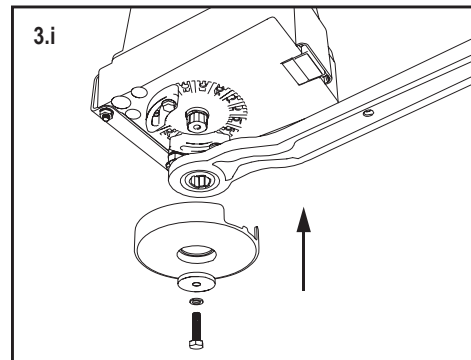
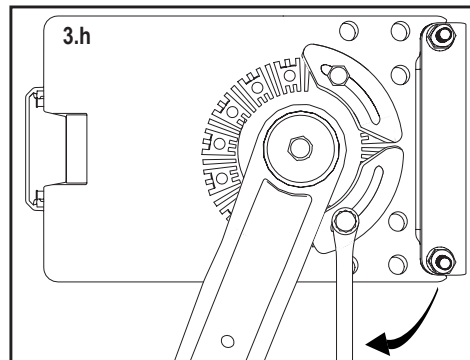
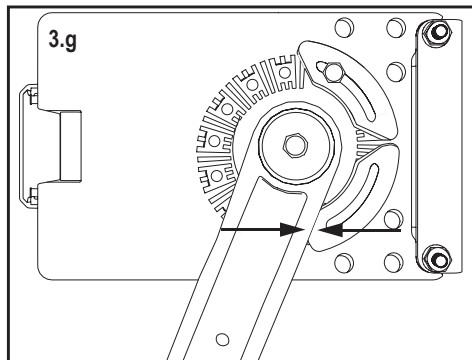
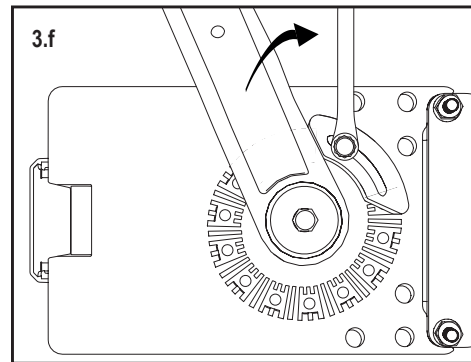
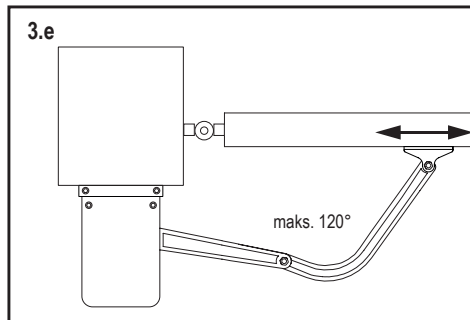
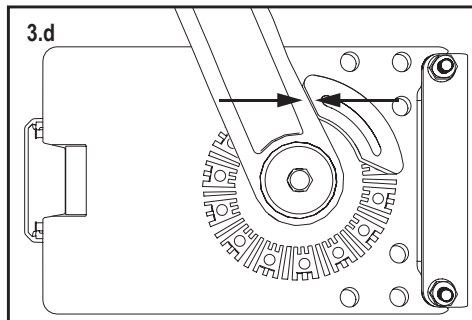
- a. Ustawić wspornik na bramę w żądanej położenia całkowitego zamknięcia, jak pokazano na rysunku 3.c. Przymocować wspornik tymczasowo do skrzydła bramy i połączyć go z ramieniem napędu uwzględniając wymiary A, B i C z Tabeli 1.
- b. Ręcznie otworzyć i zamknąć bramę do wymaganych położen. Upewnić się, że ramię napędu nie jest zablokowane i brama porusza się płynnie.
- c. Wykonać trwałe połączenie uchwytu na bramę w wybranym, prawidłowym położeniu.

5.4.2 Montaż z odbojnikami w napędzie: (bez zainstalowanych odbojników bramy)

- a. Ustawić wspornik na bramę w żądanej położenia całkowitego zamknięcia, jak pokazano na rysunku 3.c. Tymczasowo przymocować wspornik do skrzydła bramy (nie wykonywać jeszcze trwałego połączenia ze skrzydłem bramy, aby umożliwić regulację) i połączyć z ramieniem napędu uwzględniając wymiary A, B i C z Tabeli 1.
 - b. Ręcznie otworzyć i zamknąć bramę do wymaganych położen. Upewnić się, że ramię napędu nie jest zablokowane i brama porusza się płynnie.
 - c. Zamontować odbojnik w napędzie w położeniu „zamknięte” tak blisko ramienia, jak to możliwe (patrz rys. 3.d).
Przytrzymać skrzydło bramy w położeniu „zamknięte” i wyregulować położenie wspornika bramy, aby ramię dociskało do odbojnika w położeniu „zamknięte” (patrz rys. 3.e i 3.f).
 - d. Wykonać trwałe połączenie wspornika na bramę w wybranym, prawidłowym położeniu.
 - e. Otworzyć bramę do wymaganego położenia „otwarte” i zamocować odbojnik w położeniu „otwarte” jak najbliżej ramienia (patrz rys. 3.g i 3.h).
 - f. Zamocować pokrywę ochronną na spodzie napędu (patrz rys. 3.i).
- 4.3 Dozwolone jest łączenie odbojników na bramie i w napędzie. Należy stosować procedury konfiguracji odpowiednie do poszczególnych odbojników, jak opisano powyżej.
5. Powtórzyć procedurę dla urządzenia po przeciwnej stronie.

Rys. 3



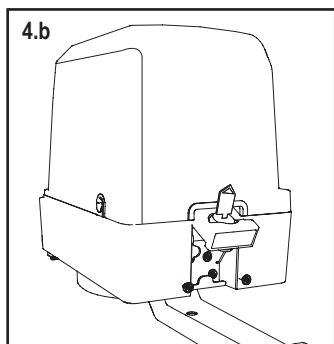
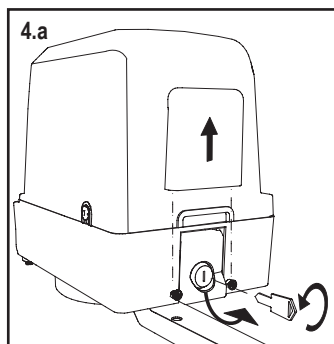


5.5 Mechanizm zwalniania awaryjnego

Aby odblokować mechanizm zwalnający, należy zdjąć plastikową osłonę, włożyć klucz i obrócić go o 90°.

Pociągnąć sprzęgło do góry (patrz rys. 4). W celu ponownego załączenia mechanizmu zwalnającego należy wcisnąć sprzęgło i przekręcić kluczyk o 90°.

Rys. 4



MONTAŻ

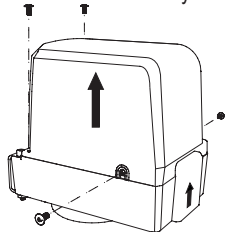
5.6 Montaż sterownika i przewodów silnika

Płytki kontrolera jest fabrycznie zainstalowana w jednostce głównej i podłączona do terminali silnika 1.

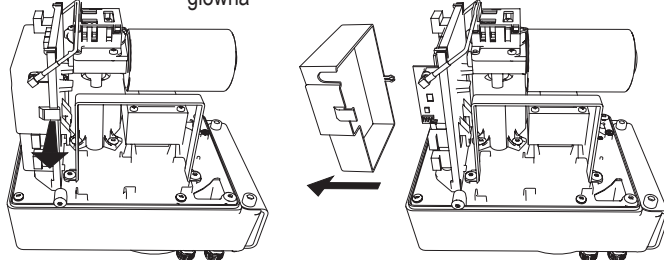
Aby uzyskać dostęp do płyty sterującej w jednostce głównej, należy odkręcić 2 śruby po bokach pokrywy i 2 śruby z tyłu jednostki głównej (patrz rys. 5).

Terminale do podłączenia przewodów akcesoriów są łatwo dostępne po otwarciu obudowy. Aby uzyskać dostęp do przycisków programowania, należy zdjąć przezroczystą plastikową osłonę. Po zakończeniu programowania należy założyć ją z powrotem (patrz rys. 6). Zdjąć pokrywę jednostki pomocniczej w taki sam sposób jak w przypadku jednostki głównej, aby uzyskać dostęp do terminali przewodów silnika (patrz rys. 7).

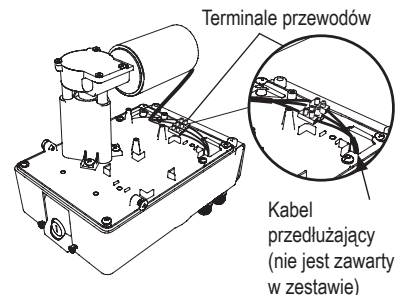
Rys. 5 Zdejmowanie obudowy



Rys. 6 Jednostka główna



Rys. 7 Jednostka pomocnicza



Według ustawień domyślnych, jednostka główna jest montowana po lewej stronie (patrząc od wewnątrz na zewnątrz), a jednostka pomocnicza po prawej. W przypadku, gdy urządzenie główne jest montowane po prawej stronie, a urządzenie pomocnicze po lewej, należy zmienić ustawienia funkcji „d1” i „d2”.

Podłączenie silnika 1

UWAGA: Silnik podłączony do terminala MOTOR 1 zawsze będzie otwierać się jako pierwszy i zamykać jako ostatni.

Należy o tym pamiętać podczas regulowania ustawień podstawowych i zaawansowanych (patrz sekcja Programowanie).

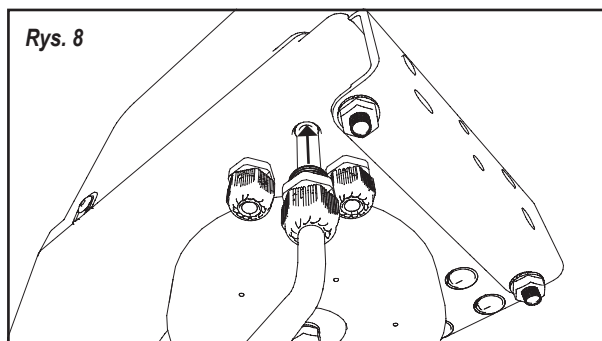
Jednostka główna jest wstępnie podłączona do terminali MOTOR 1. Nie trzeba wykonywać dodatkowych czynności, aby podłączyć Silnik 1.

Podłączenie silnika 2

UWAGA: Silnik podłączony do terminali MOTOR 2 zawsze będzie otwierać się jako ostatni i zamykać jako pierwszy.

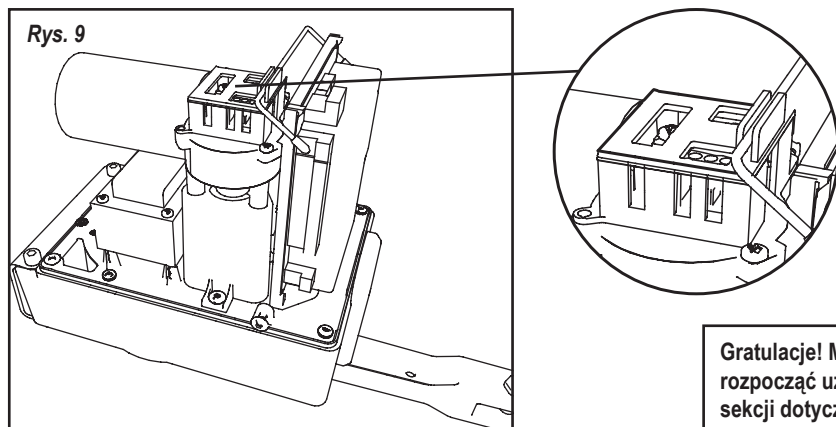
Należy o tym pamiętać podczas regulowania ustawień podstawowych i zaawansowanych (patrz sekcja Programowanie).

1. Podłączyć przewód przedłużający (nie dołączony do zestawu) do terminali przewodów jednostki pomocniczej (patrz rys. 7). Należy zwrócić uwagę na kolory przewodów silnika pomocniczego i odpowiednio dopasować je do terminali okablowania SILNIK 2 na płycie sterownika.
2. Przeprowadzić przedłużacz silnika wtórnego przez jeden z dławików kablowych w dolnej części jednostki głównej (patrz rys. 8). Należy używać tej strony silnika, po której ramię nie będzie w stanie przeciąć kabli podczas ruchu otwierania lub zamykania.
3. Podłączyć przewody silnika pomocniczego do terminali MOTOR 2 w następujący sposób: przewód zielony do terminala GRN, przewód biały do zacisku WHT, przewód czerwony do zacisku RED na płycie sterownika.



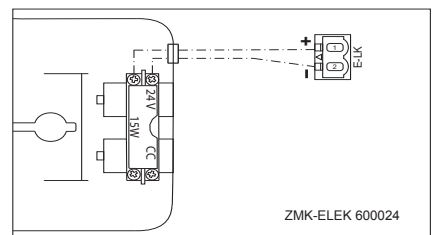
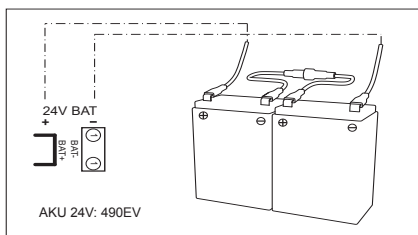
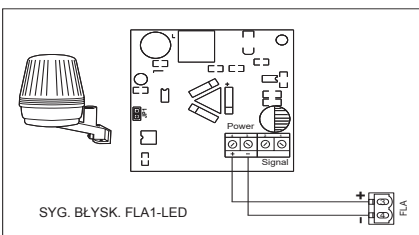
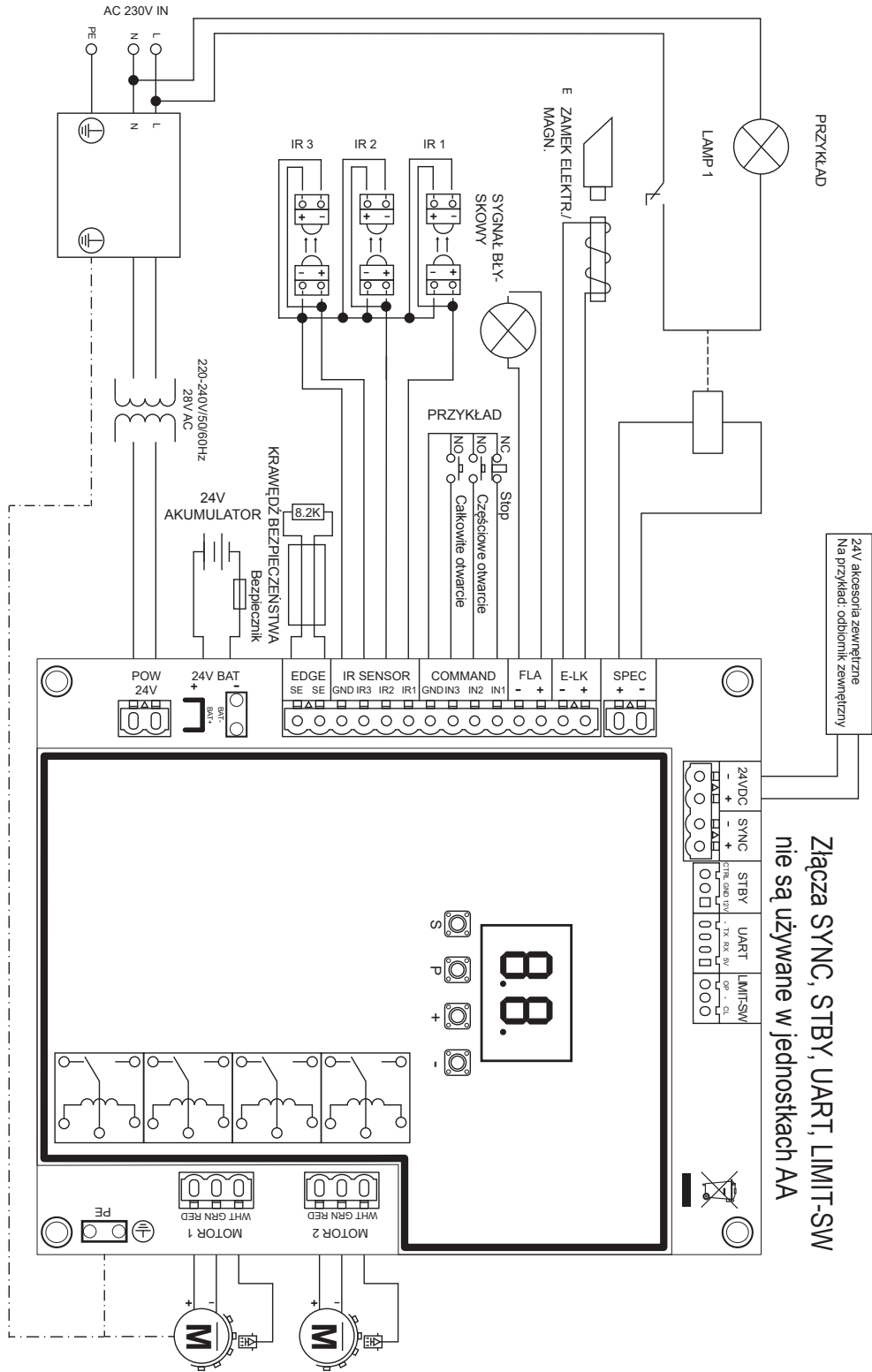
5.7 Montaż przewodów zasilających

Montaż przewodów zasilających sieciowych musi być wykonywany przez certyfikowanego elektryka.



Gratulacje! Mechaniczny montaż silnika bramy został zakończony. Aby rozpocząć użytkowanie bramy, należy skonfigurować napęd zgodnie z opisem w sekcji dotyczących programowania i podstawowych ustawień.

6. SCHEMAT POŁĄCZEŃ



7. PROGRAMOWANIE

7.1 Wyświetlacz, przyciski programowania i ustawienia funkcji

Przyciski programowania funkcji (4 szt.):

Przycisk	Funkcja
S	programowanie / usuwanie pilotów i określonych funkcji
P	uaktywnianie trybu programowania, wybór funkcji i zapisywanie
+/-	Poruszanie się po menu i zmiana wartości na wyświetlaczu

Funkcje i zaprogramowane wartości są widoczne na wyświetlaczu LED.

Ustawianie funkcji – tryb programowania

Po włączeniu zasilania na wyświetlaczu LED pojawiają się następujące wartości:

	Płyta sterująca jest wstępnie zaprogramowana do odpowiedniego zastosowania (opis stanu znajduje się poniżej w punktach „Zastosowania” i „Tryb gotowości”).
	Komunikat „EO” jest wyświetlany, gdy płytka sterownika nie została zaprogramowana lub została wyzerowana do ustawień fabrycznych. W tym stanie polecenia sygnałów wejściowych lub nadajnika będą zawsze ignorowane.

W tym rozdziale opisano proces programowania napędu bramy.

7.2 Omówienie programowania

Proces programowania jest podzielony na 2 części:

1. Ustawienia podstawowe (str. 11)
2. Ustawienia zaawansowane (str. 14)

Po wprowadzeniu ustawień podstawowych, następujące parametry zostaną wprowadzone automatycznie podczas etapu nauczania:

1. Długość ruchu z położenia **W PEŁNI ZAMKNIĘTEGO** do położenia **W PEŁNI OTWARTEGO**.
2. Siła otwierania i zamykania każdego silnika.

UWAGA:

- Aby móc obsługiwać urządzenie, należy najpierw wprowadzić ustawienia podstawowe i dokończyć etap nauczania.
- Po zakończeniu etapów nauczania i programowania operator może obsługiwać urządzenie zgodnie z ustawieniami domyślnymi.
- Ustawienia zaawansowane nie będą dostępne przed zakończeniem etapów wprowadzania ustawień podstawowych i nauczania.
- **Przed przystąpieniem do programowania należy upewnić się, że odpowiednie urządzenia zabezpieczające są podłączone.**

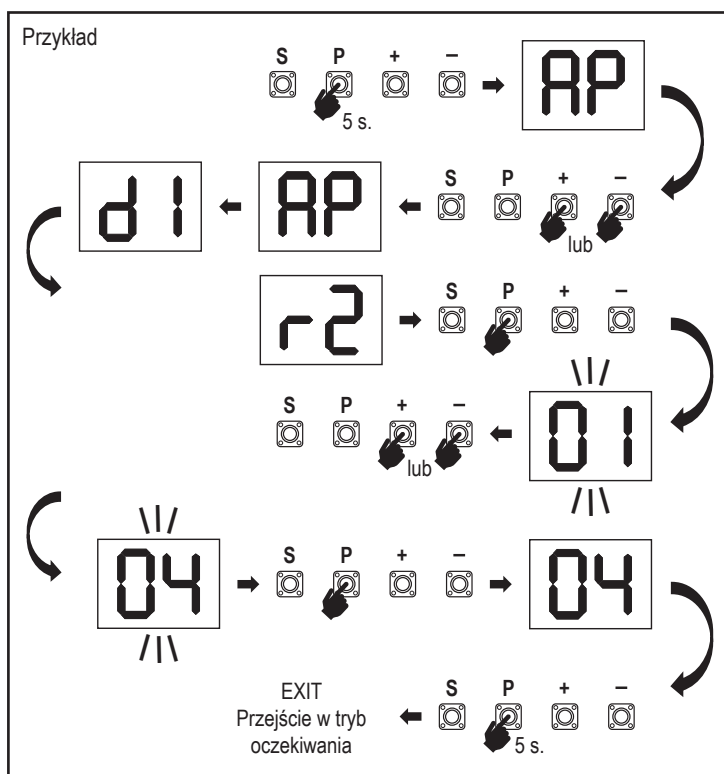
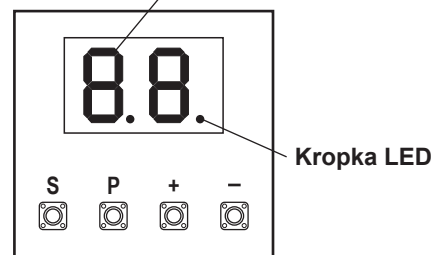
Podstawowa konfiguracja:

1. Naciśnij i przytrzymaj przycisk „P” przez 5 sekund, aby przywołać menu. Na wyświetlaczu pojawi się komunikat „AP”, sygnalizując pierwszą dostępną funkcję w menu.
2. Użyj przycisków „+” i „-”, aby poruszać się między funkcjami.
3. Naciśnij przycisk „P”, aby wybrać żądaną funkcję.
4. Zostanie wyświetlone ustawienie domyślne lub poprzednio zaprogramowana wartość. Wartość ta zamiga na wyświetlaczu.
5. Wybierz żądaną wartość za pomocą przycisków „+” lub „-”. Naciśnij przycisk „P”, aby potwierdzić wybór.
6. Zaprogramowana funkcja jest wyświetlana na wyświetlaczu.
7. Aby zmienić ustawienie innej funkcji, powtórz sekwencję czynności od punktów 2 do 6
8. Aby wyjść do menu funkcji, naciśnij i przytrzymaj przycisk „P” przez 5 sekund, aby przełączyć kontroler w tryb oczekiwania.

Jeśli przycisk „P” nie zostanie naciśnięty w celu wprowadzenia ustawienia nowej wartości, po upływie 3 minut nowe ustawienia zostaną zapisane, menu programowania zostanie zamknięte, a kontroler zostanie przestawiony w tryb oczekiwania.

UWAGA: Aby uruchomić bramę lub wykonać jakiegokolwiek polecenie, należy najpierw zamknąć menu ustawień poprzez naciśnięcie i przytrzymanie przycisku „P” przez 5 sekund, bądź przez wybranie funkcji FE, bądź odczekanie 3 minut, po których kontroler automatycznie powróci do trybu oczekiwania.

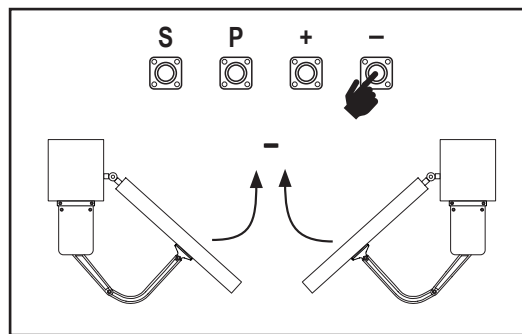
Dwucyfrowy wyświetlacz LED



7. PROGRAMOWANIE

7.3 Kierunek ruchu skrzydeł

Przed rozpoczęciem programowania należy ręcznie przesunąć bramę do położenia środkowego i ponownie uruchomić mechanizm zwalniający (patrz strona 7). Naciśnij i przytrzymaj przycisk „-” na sterowniku i upewnij się, że silniki poruszają się w kierunku **ZAMKNIĘCIA**. Jeśli silnik porusza się we właściwym kierunku, natychmiast zwolnij przycisk „-”, aby zatrzymać ruch bramy. Jeżeli silnik porusza się w kierunku **OTWARCIA**, przejdź do funkcji „d1” oraz „d2” i zmień ustawienia kierunku. Po prawidłowym ustawieniu kierunku **ZAMKNIĘCIA** należy pozostawić bramę w położeniu środkowym. Napęd jest teraz gotowy do rozpoczęcia procedury nauczania. Uwaga: w razie potrzeby przed dokończeniem procesu wprowadzania ustawień można przesunąć bramę przyciskami „+” i „-”. Naciśnij i przytrzymaj przycisk „+” na sterowniku, aby przesunąć bramę do położenia **OTWARTEJ**. Po zwolnieniu przycisku napęd zostanie zatrzymany. Naciśnij i przytrzymaj przycisk „-” na panelu sterowania, aby przesunąć bramę do położenia **ZAMKNIĘTEJ**. Po zwolnieniu przycisku napęd zostanie zatrzymany.



7.4 Ustawienia podstawowe

Omówienie ustawień podstawowych

LED		Funkcja
		Ustawienia podstawowe (obowiązkowe)
AP	AP	Aplikacja
d1	d1	Kierunek silnika 1
d2	d2	Kierunek silnika 2
LL	LL	Etap nauczania ogranicznika

7.4.1 Ustawienia zastosowania

Ustawienie zastosowania jest widoczne na wyświetlaczu. To ustawienie ma fabrycznie wartość 05.



05	Brama skrzydłowa, dwa silniki do zastosowania AA250 (domyślnie)
-----------	---

Użytkownik może wybrać inne ustawienia:

00	Brak wybranego zastosowania
04	Brama skrzydłowa, jeden silnik do zastosowania AA250

Wartości 01-03, 06 i 07 nie są przeznaczone do zastosowania z urządzeniem AA250; nie należy ich wybierać w takich zastosowaniach..

7.4.2 Ustawienia kierunku silnika 1



Na wyświetlaczu pojawia się ustawienie funkcji kierunku silnika 1. Określa ona kierunek ruchu silnika 1.

01	Silnik 1 porusza się w kierunku zamykania, gdy jest zamontowany po prawej stronie .
02	Silnik 1 porusza się w kierunku zamykania, gdy jest zamontowany po lewej stronie (ustawienie domyślne)

7.4.3 Ustawienia kierunku silnika 2

Na wyświetlaczu pojawia się ustawienie funkcji kierunku silnika 2. Określa ona kierunek ruchu silnika 2. Niedostępne dla zastosowania z jednym silnikiem.



01	Silnik 2 porusza się w kierunku zamykania, gdy jest zamontowany po prawej stronie (ustawienie domyślne)
02	Silnik 2 porusza się w kierunku zamykania, gdy jest zamontowany po lewej stronie

7.4.4 Nauczanie położeń granicznych



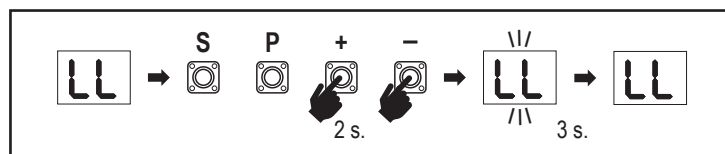
Przed rozpoczęciem etapu nauczania upewnij się, że:

- Zakończono wprowadzanie pozostałych ustawień podstawowych
- Zamontowane są wewnętrzne / zewnętrzne odbojniki (w bramach skrzydłowych)
- Pierwszy ruch będzie wykonywany w kierunku **ZAMKNIĘCIA**.

Dostępne metody nauczania:

Standardowy tryb nauczania (automatyczny)

- Naciśnij i przytrzymaj przyciski „+” i „-” przez 2 sekundy.
- Rozpocznie się automatyczny proces uczenia. Podczas całego procesu na wyświetlaczu będzie migać komunikat **LL**.
- Skrzydło 2 przesuwa się w kierunku **ZAMKNIĘCIA**, aż dotrze do odbojnika, gdzie się zatrzymuje.
- Skrzydło 1 przesuwa się w kierunku **ZAMKNIĘCIA**, aż dotrze do odbojnika, gdzie zatrzymuje się na 2 sekundy. Następnie skrzydło 1 przesuwa się w kierunku **OTWARCIA**, aż dotrze do odbojnika.
- Skrzydło 2 przesuwa się w kierunku **OTWARCIA**, aż dotrze do odbojnika, po czym zatrzymuje się na 2 sekundy i przesuwa się w kierunku **ZAMKNIĘCIA** aż do osiągnięcia odbojnika, po czym się zatrzymuje.
- Skrzydło 1 przesuwa się w kierunku **ZAMKNIĘCIA**, aż dotrze do odbojnika, po czym się zatrzymuje.
- Etap nauki standardowej zostanie zakończony. Na wyświetlaczu pojawi się komunikat **LL**, a sterownik powróci do trybu gotowości po 3 sekundach.



UWAGA: W przypadku zastosowania z jednym silnikiem, działania dotyczące „Skrzydła 2” nie są używane.

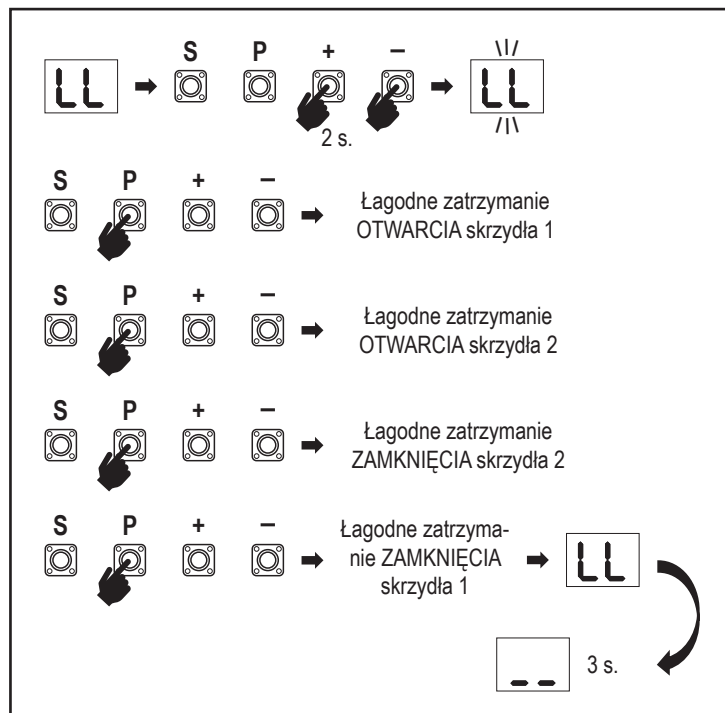
W standardowym trybie nauczania rejestrowane są następujące ustawienia:

- Długość ruchu z położenia **W PEŁNI ZAMKNIĘTEGO** do położenia **W PEŁNI OTWARTEGO**.
- Siła otwierania i zamykania każdego silnika.
- 15% odległości ruchu na końcach obu kierunków jest zarezerwowane dla funkcji łagodnego zatrzymania (Soft Stop).
- Opóźnienie skrzydła w położeniu otwarcia i zamknięcia wynosi 2 sekundy. Te ustawienia można zmienić w ustawieniach zaawansowanych: Opóźnienie silnika 2 (d0) i Opóźnienie silnika 1 (dC).

7. PROGRAMOWANIE

Tryb zaawansowanego nauczania (ręczne ustawianie położenia łagodnego zatrzymania)

- Naciśnij i przytrzymaj przyciski „+” i „-” przez 2 sekundy.
- Rozpocznie się automatyczny proces uczenia. Podczas całego procesu na wyświetlaczu będzie migać komunikat LL.
- Skrzydło 2 przesuwa się w kierunku **ZAMKNIĘCIA**, aż dotrze do odbojnika, po czym się zatrzymuje.
- Skrzydło 1 porusza się w kierunku **ZAMKNIĘCIA**, aż dotrze do odbojnika, po czym zatrzymuje się na 2 sekundy.
- Skrzydło 1 rozpoczyna ruch w kierunku **OTWARCIA** z domyślną prędkością.
- Aby zdefiniować punkt startowy funkcji łagodnego zatrzymania skrzydła 1 w kierunku **OTWARCIA**, naciśnij przycisk „P” w wymaganym punkcie startowym. Skrzydło 1 będzie przesuwać się dalej, aż dotrze do odbojnika, po czym się zatrzyma.
- Skrzydło 2 przesuwa się w kierunku **OTWARCIA** z domyślną prędkością.
- Aby zdefiniować punkt startowy funkcji łagodnego zatrzymania skrzydła 2 w kierunku **OTWARCIA**, naciśnij przycisk „P” w wymaganym punkcie startowym. Skrzydło 2 będzie się otwierać do momentu osiągnięcia odbojnika, zatrzyma się na 2 sekundy, a następnie ruszy w kierunku **ZAMKNIĘCIA** z domyślną prędkością.
- Aby zdefiniować punkt startowy funkcji łagodnego zatrzymania skrzydła 2 w kierunku **ZAMKNIĘCIA**, naciśnij przycisk „P” w wymaganym punkcie startowym. Skrzydło 2 będzie przesuwać się dalej, aż dotrze do odbojnika, po czym się zatrzyma.
- Skrzydło 1 przesuwa się w kierunku **ZAMKNIĘCIA** z domyślną prędkością.
- Aby zdefiniować punkt startowy funkcji łagodnego zatrzymania skrzydła 1 w kierunku **ZAMKNIĘCIA**, naciśnij przycisk „P” w wymaganym punkcie startowym. Skrzydło 1 będzie przesuwać się dalej, aż dotrze do odbojnika, po czym się zatrzyma.
- Etap nauki zaawansowanej zostanie zakończony. Na wyświetlaczu zostanie wyświetlony komunikat LL, a po upływie 3 sekund sterownik zostanie przełączony w tryb oczekiwania.



UWAGA: W przypadku zastosowania z jednym silnikiem, działania dotyczące „Skrzydła 2” nie są używane.

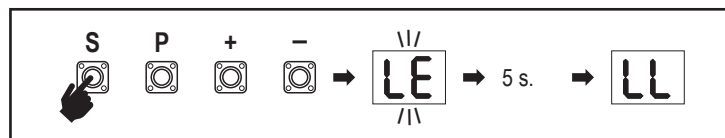
W trybie nauki zaawansowanej programowane są następujące ustawienia:

- Długość ruchu z położenia **W PEŁNI ZAMKNIĘTEGO** do położenia **W PEŁNI OTWARTEGO**.
- Siła otwierania i zamykania każdego silnika.
- Położenie aktywacji funkcji łagodnego zamknięcia.
- Opóźnienie skrzydła w położeniu otwarcia i zamknięcia wynosi 2 sekundy. Te ustawienia można zmienić w ustawieniach zaawansowanych: Opóźnienie silnika 2 (d0) i Opóźnienie silnika 1 (dC).

UWAGA: Aby zatrzymać etap nauczania, naciśnij przycisk „S” button. Proces nauczania zostanie przerwany, na wyświetlaczu LED zamiga komunikat „LE”. Po 5 sekundach na wyświetlaczu pojawi się komunikat „LL”, sygnalizując gotowość do ponownego rozpoczęcia etapu nauczania.

Jeśli proces nauczania nie został zakończony, należy go przeprowadzić ponownie.

UWAGA: Aby móc obsługiwać urządzenie, należy najpierw dokończyć etap nauczania.



7.5 Tryb oczekiwania

Po włączeniu zasilania sterownika i zakończeniu programowania wyświetlacz LED zapala się całkowicie na 2 sekundy, po czym przechodzi w stan gotowości. W trybie oczekiwania wyświetlacz LED pokazuje aktualny stan bramy.

	Dwa silniki (domyślne)	Jeden silnik
Silnik pracuje, poruszając się w kierunku otwarcia. Górna część wyświetlacza miga.		
Silnik zatrzymuje się w położeniu otwarcia; górna część wyświetlacza jest włączona.		
Silnik pracuje, poruszając się w kierunku zamknięcia. Dolna część wyświetlacza miga.		
Silnik zatrzymuje się w położeniu zamknięcia; dolna część wyświetlacza jest włączona.		
Silnik zatrzymuje się na środku, środek wyświetlacza jest włączony.		

Zakończono wprowadzanie ustawień podstawowych. Teraz można opuścić menu programowania i rozpocząć obsługę bramy lub przejść do ustawień zaawansowanych.

7. PROGRAMOWANIE

7.6 Programowanie i kasowanie pilotów, akcesoriów radiowych i urządzeń myQ

System umożliwia programowanie urządzeń zdalnego sterowania (nadajników i bezprzewodowych sterowników ściennych):

UWAGA: piloty zdalnego sterowania dostarczane wraz z napędem są już fabrycznie zaprogramowane z napędem (górny przycisk w pobliżu diody LED) i nie wymagają dodatkowego programowania.

1. Naciśnij i zwolnij przycisk „S”. Na wyświetlaczu zapali się kropka LED. Napęd przełączy się w tryb programowania nadajnika radiowego i pozostanie w nim przez 3 minuty. W ciągu pierwszych 30 sekund można połączyć dowolne akcesorium korzystające z komunikacji radiowej. W ciągu pozostałych 2,5 minut można jedynie połączyć urządzenia myQ.
2. Naciśnij wymagany przycisk na nadajniku i przytrzymaj go, aż kropka na wyświetlaczu zgaśnie.

Aby zaprogramować nowego pilota, należy powtórzyć proces.

Aby zaprogramować klawiaturę bezprzewodową, należy postępować zgodnie z instrukcją obsługi tego akcesorium.

Programowanie nadajnika dla trybu częściowego otwarcia

Naciśnij i przytrzymaj jednocześnie przyciski „S” i „+”, aż zacznie migać dioda LED. Naciśnij i przytrzymaj żądany wolny przycisk na nadajniku, aby zaprogramować tryb częściowego otwarcia.

Po zakończeniu programowania kropka LED zgaśnie. Jeśli do styku SPEC podłączona jest kontrolka, zamiga ona jeden raz.

Programowanie bramy myQ (828EV):

1. Nawiązywanie połączenia

Podłącz kabel Ethernet (1) dostarczony z bramą do routera (2). Należy użyć wtyczki obowiązującej w danym kraju (nie wszystkie modele). Podłącz zasilanie (3) do bramy internetowej (4). Gdy brama internetowa połączy się z internetem, zielona dioda (5) przestanie migać i zacznie świecić światłem stałym. Aby system myQ mógł działać poprawnie, do napędu należy podłączyć zestaw komunikacji na podczerwień (IR).

2. Tworzenie konta

Pobierz bezpłatną aplikację myQ ze sklepu App Store lub Google Play Store i utwórz konto. Jeśli masz już konto, wprowadź nazwę użytkownika i hasło.

3. Zarejestruj bramę internetową

Po wyświetleniu monitu wprowadź numer seryjny znajdujący się na spodzie bramy internetowej.

4. Dodawanie urządzeń myQ

Aby dodać sterownik bramy do zarejestrowanej bramki internetowej, postępuj zgodnie z instrukcjami wyświetlonymi w aplikacji. Podczas dodawania nowego napędu bramy obsługującego system myQ należy nacisnąć i zwolnić przycisk „S” na panelu sterowania napędem. Na wyświetlaczu sterownika zapala się kropka LED.

Uwaga: Po dodaniu urządzenia, na bramie internetowej zapali się niebieska kontrolka. Naciśnij przycisk „S” na sterowniku silnika, aby wyjść z trybu programowania nadajnika radiowego.

5. Test

Po prawidłowym zainstalowaniu i zarejestrowaniu można teraz przetestować następujące funkcje: otwieranie lub zamykanie bramy oraz zapytanie o stan OTWARCIA BRAMY lub ZAMKNIĘCIA BRAMY.

Więcej informacji można znaleźć na stronie www.liftmaster.eu

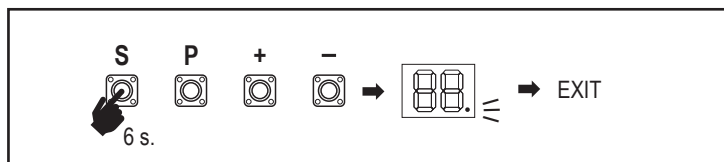
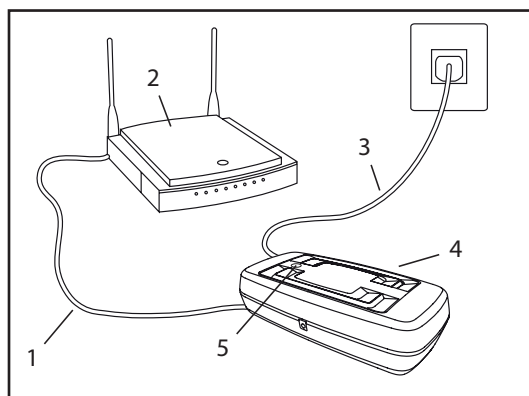
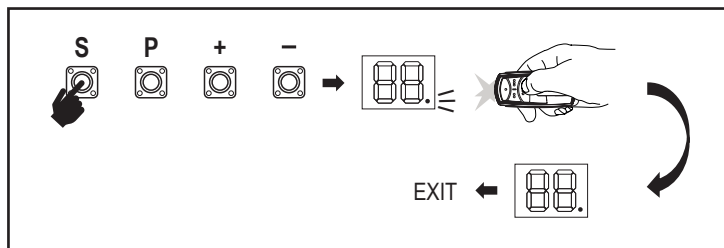
Usuwanie radiowych urządzeń sterujących (nadajników, bezprzewodowych sterowników ściennych, bezprzewodowych klawiatur):

Naciśnij i przytrzymaj przycisk „S” przez ponad 6 sekund. Wszystkie urządzenia do sterowania radiowego (nadajniki, sterowniki ścienne, klawiatury) zostaną odłączone od sterownika. Kropka LED na wyświetlaczu zostanie WYŁĄCZONA. Uwaga: Nie ma możliwości usuwania wybranych radiowych urządzeń sterujących.

Usuwanie urządzeń myQ:

1. Najpierw usuń urządzenia zdalnego sterowania w sposób opisany powyżej.
2. W ciągu następnych 6 sekund wciśnij i przytrzymaj przycisk „S”. Na wyświetlaczu zapali się kropka LED.
3. Naciśnij i przytrzymaj przycisk „S” przez ponad 6 sekund. Wszystkie urządzenia myQ zostaną usunięte. Kropka LED na wyświetlaczu zostanie WYŁĄCZONA.

UWAGA: Nie ma możliwości usuwania wybranych urządzeń myQ. Nie ma możliwości usunięcia wyłącznie urządzeń myQ.



7. PROGRAMOWANIE

W tej sekcji opisano ustawienia zaawansowane sterownika.

7.7 Ustawienia zaawansowane

LED		Funkcja
	tr	Nadajnik
	r1	Fotokomórka podczerwona IR1
	r2	Fotokomórka podczerwona IR2
	r3	Fotokomórka podczerwona IR3
	i1	Polecenie wejścia 1
	i2	Polecenie wejścia 2
	i3	Polecenie wejścia 3
	Pd	Częściowe otwarcie, tylko silnik 1
	d0	Opóźnienie OTWARCIA silnika 2
	dC	Opóźnienie ZAMKNIĘCIA silnika 1
	tC	Timer zamknięcia (TTC)
	rt	Czas odwrócenia kierunku po zderzeniu
	EL	Zamek elektryczny
	rb	Odciążenie silnikiem 1 dla zamka elektrycznego

LED		Funkcja
	FL	Sygnal świetlny
	PF	Wstępny sygnal świetlny
	SP	Styk specjalny
	St	Prędkość rozpoczęcia ruchu OTWARCIA i ZAMKNIĘCIA
	Cn	Licznik serwisowy
	PS	Hasło
	F1	Siła silnika 1 podczas ruchu otwierania (chronione przez PS)
	F2	Siła silnika 1 podczas ruchu zamykania (chronione przez PS)
	F3	Siła silnika 2 podczas ruchu otwierania (chronione przez PS)
	F4	Siła silnika 2 podczas ruchu zamykania (chronione przez PS)
	S1	Prędkość silników podczas ruchu OTWIERANIA (chronione przez PS)
	S2	Prędkość silników podczas ruchu ZAMYKANIA (chronione przez PS)
	SF	Prędkość łagodnego zatrzymania podczas OTWIERANIA i ZAMYKANIA (chronione przez PS)
	Fd	Domyślne ustawienia fabryczne
	FE	Zakończ i wyjdź

7.7.2 Ustawienia nadajnika

Funkcja nadajnika definiuje sposób działania poleceń nadajnika.

Uwaga: Przy ustawieniach „01”, „02” i „03” timer zamknięcia (TTC) zostanie zastąpiony poleceniem nadajnika i spowoduje ZAMKNIĘCIE bramy. Przy ustawieniu „04”, aktywne odliczanie czasu automatycznego zamknięcia zostanie wznowione od początku, gdy sterownik odbierze polecenie zdalnego sterowania..

	Tryb mieszkalny: Otwarcie – Zamknięcie – Otwarcie
	Tryb standardowy: Otwarcie – Zatrzymanie – Zamknięcie – Zatrzymanie – Otwarcie (Ustawienie domyślne)
	Automatyczny z trybem Stop: Otwarcie – Zatrzymanie – Zamknięcie – Otwarcie
	Tryb parkingowy: Otwiera do położenia całkowitego otwarcia. Dodatkowe polecenia wydawane podczas otwierania będą ignorowane

7.7.3 Ustawienia fotokomórek

Ustawienia fotokomórki określają sposób działania fotokomórek podczerwieni (IR). Fotokomórki zostaną automatycznie przyswojone przez sterownik po zainstalowaniu. Każdy z 3 zestawów fotokomórek można zaprogramować indywidualnie.

UWAGA: W zależności od wybranych ustawień sygnału wejściowego częściowego otwarcia lub polecenia zdalnego sterowania OTWARCIA lub ZAMKNIĘCIA nie zostaną wykonane, jeśli wiązka podczerwieni jest przerwana. W przypadku usunięcia czujników podczerwieni należy dwukrotnie wyłączyć/włączyć zasilanie sterownika, aby usunąć z niego konfigurację tych czujników. Informacje na temat kontroli i konserwacji fotokomórek można znaleźć w instrukcji obsługi fotokomórek.

	Czujnik podczerwieni jest aktywny przy ruchu ZAMKNIĘCIA. Jeśli wiązka podczerwieni jest przerwana, brama wraca do położenia całkowitego OTWARCIA (ustawienie domyślne).
	Podczerwień aktywna przy ruchu OTWARCIA. Jeśli wiązka podczerwieni jest zablokowana, ruch bramy zostanie zatrzymany. Po zniknięciu przeszkody brama kontynuuje ruch OTWARCIA.
	Podczerwień jest aktywna przy ruchu OTWARCIA i ZAMKNIĘCIA. W przypadku przerwania wiązki podczerwieni przy ruchu ZAMKNIĘCIA brama zatrzymuje się, a po usunięciu przeszkody brama wraca do położenia całkowitego otwarcia. Jeśli wiązka podczerwieni zostanie zablokowana podczas ruchu OTWARCIA, brama zostanie zatrzymana. Po zniknięciu przeszkody brama kontynuuje ruch OTWARCIA.
	Czujnik podczerwieni jest aktywny przy ruchu ZAMKNIĘCIA. Jeśli wiązka podczerwieni zostanie przerwana, brama wraca do położenia całkowitego OTWARCIA. Działanie funkcji timera zamknięcia (TTC) zostanie zastąpione 2 sekundy po usunięciu przeszkody w wiązce i rozpocznie ruch ZAMKNIĘCIA, bez oczekiwania na zakończenie czasu timera.

7.7.4 Ustawienia sygnału wejściowego

Funkcja sygnału wejściowego określa sposób wykonywania poleceń wysyłanych przez sygnały wejściowe z zewnętrznych akcesoriów. Każde z 3 wejść może być zaprogramowane indywidualnie.

UWAGA: Przy ustawieniach „01”, „02” i „03” timer zamknięcia (TTC) zostanie zastąpiony poleceniem sygnału wejściowego i spowoduje ZAMKNIĘCIE bramy. Przy ustawieniu „06”, aktywne odliczanie czasu automatycznego zamknięcia zostanie wznowione od początku po odebraniu sygnału wejściowego

7. PROGRAMOWANIE

01	Otwarcie – Zamknięcie – Otwarcie
02	Otwarcie – Zatrzymanie – Zamknięcie – Zatrzymanie – Otwarcie (Ustawienie domyślne)
03	Otwarcie – Zatrzymanie – Zamknięcie – Otwarcie
04	Częściowe otwarcie, tylko silnik 1
05	ZATRZYMANIE (kontakt NZ/NC)
06	Otwiera do położenia całkowitego OTWARCIA. Dodatkowe polecenia wydawane podczas otwierania będą ignorowane
07	Zamknięcie do położenia całkowitego ZAMKNIĘCIA. Dodatkowe polecenia zamknięcia wydawane podczas zamykania będą ignorowane
08	Otwarcie – Zatrzymanie – Otwarcie – Zatrzymanie
09	Zamknięcie – Zatrzymanie – Zamknięcie – Zatrzymanie
10	Otwarcie (przytrzymać, aby uruchomić)
11	Zamknięcie (przytrzymać, aby uruchomić)

7.7.5 Częściowe otwarcie silnika 1

Pd

Funkcja częściowego otwarcia silnika 1 daje możliwość otwarcia aktywnego skrzydła tylko do zadanej wartości.

UWAGA: polecenie Pd będzie działać od położenia krańcowego zamknięcia i podczas ruchu zamykania. Jeśli polecenie Pd zostanie wykonane z położenia całkowitego OTWARCIA, brama zostanie zamknięta.

Polecenie otwarcia lub nadajnika zawsze zastępuje polecenie Pd.

01	50% odległości przesunięcia
02	75% odległości przesunięcia (wartość domyślna)
03	100% odległości przesunięcia

- Naciśnij i przytrzymaj jednocześnie przyciski „S” i „+”, aż zacznie migać dioda LED.
- Naciśnij i przytrzymaj żądany wolny przycisk na nadajniku, aby zaprogramować tryb częściowego otwarcia.
- Po zakończeniu programowania kropka LED zgaśnie. Jeśli do styku SPEC podłączona jest kontrolka, zamiga ona jeden raz.

7.7.6 Opóźnienie silnika 2 w kierunku zamknięcia

Ustawienie Opóźnienie OTWARCIA silnika 2 określa czas opóźnienia aktywacji silnika 2 w kierunku OTWARCIA. Ustawienie jest niedostępne w zastosowaniu z jednym silnikiem.

DO

Nie jest wykonywane podczas cofania lub po przerwaniu wiązki podczerwieni (niezależnie od kierunku).

00	Bez opóźnienia (oba skrzydła rozpoczynają ruch w tym samym czasie)
01	1 s
02	2 s. (domyślne)
03	3 s
04	4 s

7.7.7 Opóźnienie silnika 1 w kierunku otwarcia

DC

Ustawienie Opóźnienie ZAMKNIĘCIA silnika 1 określa czas opóźnienia aktywacji silnika 1 w kierunku ZAMKNIĘCIA. Ustawienie jest niedostępne w zastosowaniu z jednym silnikiem. Nie jest wykonywane podczas cofania lub po przerwaniu wiązki podczerwieni (niezależnie od kierunku).

00	Bez opóźnienia (oba skrzydła rozpoczynają ruch w tym samym czasie)
01	1 s
02	2 s. (domyślne)
...	... s
20	20 s

7.7.8

TC

Funkcja timera zamknięcia (ang. Timer To Close, TTC) umożliwi automatyczne zamknięcie bramy z położenia całkowitego OTWARCIA po upływie zaprogramowanego czasu. Aby uaktywnić funkcję TTC, należy zainstalować co najmniej jedną parę fotokomórek LiftMaster na podczerwień (IR) do monitorowania ruchu zamykania bramy. Funkcja TTC nie będzie działać, jeśli fotokomórki są skonfigurowane wyłącznie do wykrywania ruchu otwarcia.

TTC będzie również współpracować z funkcją częściowego otwarcia. Jeśli funkcja TTC jest aktywna, timer odlicza czas, a wiązki światła fotokomórki IR zostaną przerwane, timer TTC uruchamia się ponownie.

00	TTC nieaktywne (wartość domyślna)	05	1 min.
01	10 s	06	1,5 min.
02	20 s	07	2 min.
03	30 s	08	3 min.
04	45 s	09	5 min.

7.7.9 Czas odwrócenia kierunku po zderzeniu

rt

Czas odwrócenia kierunku po zderzeniu określa zachowanie bramy, która napotka na przeszkodę podczas ruchu otwierania lub zamykania. Ta funkcja współpracuje zarówno z funkcją wykrywania siły silnika, jak i z krawędzią bezpieczeństwa.

01	2 sekundy cofania z zatrzymaniem
02	Cofanie z powrotem do położenia granicznego (domyślne)
03	Jeśli podczas ruchu zamykania, brama uderzy w przeszkodę, cofa się do położenia otwartej. Jeśli podczas ruchu otwierania brama uderzy w przeszkodę, zmienia kierunek na 2 sekundy, po czym zatrzymuje się.

7.7.10 Ustawienia zamka elektrycznego/magnetycznego

EL

To ustawienie definiuje zachowanie zamka elektrycznego/magnetycznego.

Do sterownika można podłączyć zamek elektryczny lub magnetyczny pod napięciem 24VDC i maksymalnym obciążeniem 500mA.

00	Zamek elektryczny/magnetyczny nie jest zainstalowany (domyślne)
01	Zamek elektryczny jest aktywny przez 1 sekundę przed ruchem silnika 1 w położenie otwarcia
02	Zamek elektryczny jest aktywny przez 2 sekundy przed ruchem silnika 1 w położenie otwarcia
03	Zamek magnetyczny, stale aktywny przy bramie w położeniu ZAMKNIĘCIA, stale nieaktywny podczas ruchu OTWARCIA i ZAMKNIĘCIA, w położeniu bramy OTWARCIA lub ZATRZYMANIA. Blokada magnetyczna będzie nieaktywna w trybie podtrzymania bateryjnego.

7. PROGRAMOWANIE

7.7.10a Odciążenie silnikiem 1 dla zamka elektrycznego

rb

Ustawienie Odciążenia silnikiem 1 dla funkcji zamka elektrycznego uaktywnia krótkie popchnięcie silnikiem 1 w kierunku ZAMKNIĘCIA przed włączeniem zamka elektrycznego, aby zmniejszyć nadmierną siłę nacisku na zamek. To ustawienie jest niedostępne, jeśli funkcja EL jest ustawiona na „00” lub „03” (nie podłączono zamka elektrycznego / zamek magnetyczny podłączony).

00	Zdezaktywowano (ustawienie domyślne)
01	Aktywacja przez 1 s
02	Aktywacja przez 2 s

7.7.11 Ustawienia sygnałów świetlnych

FL

Ustawienie sygnału świetlnego pozwala wybrać rodzaj podłączonego błyskowego sygnału świetlnego.

Do sterownika można podłączyć błyskowy sygnał świetlny o napięciu 24VDC i maksymalnym obciążeniu 500 mA (terminal FLA1-LED)

00	nie zainstalowano sygnału świetlnego błyskowego (domyślne)
01	zasilanie ciągle 24V – dla sygnału świetlnego błyskowego z własnym kontrolerem (FLA1-LED)
02	zasilanie ciągle 24V – dla sygnału świetlnego błyskowego bez własnego kontrolera

7.7.11a Wstępny sygnał świetlny

PF

Funkcja wstępnego sygnału świetlnego określa czas, przez który lampa będzie migać przed ruchem bramy. Jeśli ustawienie sygnału świetlnego (FL) ma wartość „00”, ta funkcja jest nieaktywna.

00	Bez wstępnego sygnału świetlnego (ustawienie domyślne)	03	3 s
		04	4 s
01	1 s	05	5 s
02	2 s		

7.7.15 Opis i konfiguracja funkcji zabezpieczenia hasłem

7.7.15a Konfiguracja hasła

PS

Przed rozpoczęciem konfiguracji tego ustawienia należy zakończyć etap nauczania. Hasło musi być ustawione przed rozpoczęciem dokonywania zmian w ustawieniach chronionych hasłem, takich jak siła i prędkość.

Wybierz ustawienie „PS”, aby zaprogramować hasło.

UWAGA: Nie można użyć wartości „00” jako hasła. Jest ona używana tylko jako ustawienie domyślne.

Jeśli nie ustawiono hasła, funkcje chronione hasłem nie będą dostępne.

Hasło będzie wymagane do zmiany chronionych ustawień po zakończeniu konfiguracji.

Ustaw nowe hasło:

- Wybierz funkcję „PS” i naciśnij przycisk „P”.
- Na wyświetlaczu zamiga wartość „00”.
- Użyj przycisków „+” i „-”, aby ustawić nowe hasło.
- Naciśnij przycisk „P”.
- Nowa wartość hasła będzie wyświetlana przez 2 sekundy. Następnie wyświetlacz zmieni się na „PS”.

Proszę zapisać swoje hasło w miejscu, w którym będzie można je później znaleźć.

7.7.12 Ustawienia styków specjalnych

SP

Ustawienia styków specjalnych pozwalają na zdefiniowanie czasu aktywacji przekaźników.

Do sterownika można podłączyć przekaźnik o napięciu 24V i maks. obciążeniu 500mA do zarządzania innymi urządzeniami, np. oświetleniem wjazdu. Ustawiona tutaj wartość czasu będzie również sterować czasem aktywacji światła na pilocie myQ.

00	aktywacja wyłączona (ustawienie domyślne)	05	1,5 min.
01	15 s	06	2 min.
02	30 s	07	3 min.
03	45 s	08	4 min.
04	1 min.	09	5 min.

7.7.13 Prędkość rozpoczęcia ruchu otwarcia i zamknięcia

St

Funkcja prędkości rozpoczęcia umożliwia włączanie i wyłączanie funkcji łagodnego rozpoczęcia ruchu (Soft-Start) w kierunku OTWÓRZ i ZAMKNIJ.

00	Zdezaktywowano (ustawienie domyślne)
01	Funkcja łagodnego uruchomienia aktywna: silnik będzie stopniowo przyspieszał, aż osiągnie standardową prędkość.
02	Twarde uruchomienie aktywne, silnik uruchomi się z normalną prędkością i przez pierwszą sekundę sygnały z czujnika siły nie będą uwzględniane.

7.7.14 Licznik serwisowy

Cn

Funkcja licznika serwisowego pozwala na ustawienie interwału serwisowego, wyrażonego w cyklach.

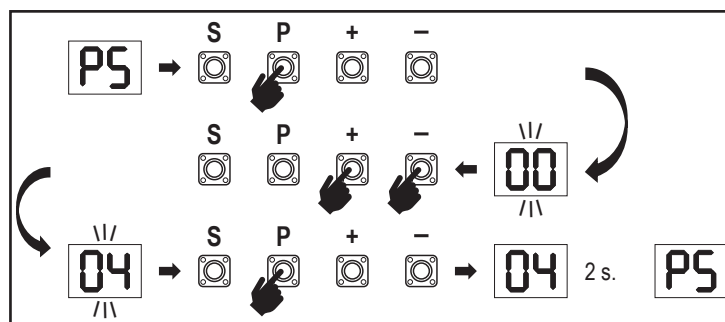
Upłynięcie okresu serwisowego będzie sygnalizowane przed ruchem bramy błyskającym sygnałem świetlnym, który będzie trwał 4 sekundy. Jeśli funkcja wstępnego sygnału świetlnego jest aktywna, czas wstępnego sygnału zostanie wydłużony o kolejne 4 sekundy. Aby zresetować licznik po zakończeniu czynności serwisowych, wystarczy zaprogramować cykl jeszcze raz.

00	Licznik wyłączony (ustawienie domyślne) cykli
01	1000 cykli	20	20000 cykli
02	2000 cykli		

UWAGA

Wszelkie zmiany dokonane w ustawieniach chronionych hasłem (tj. mocy i prędkości) wymagają weryfikacji prędkości i siły zgodnie z przepisami EN 12453, EN 60335-2-103.

00	Nie wybrano hasła (wartość domyślna)
01 → 02 → → 99	Dostępne opcje



7. PROGRAMOWANIE

7.7.15b Wprowadzanie hasła

- Wybierz funkcję „PS” i naciśnij przycisk „P”.
- Na wyświetlaczu zamiga wartość „00”.
- Użyj przycisków „+” i „-”, aby wprowadzić prawidłowe hasło i naciśnij przycisk „P”, aby potwierdzić.
- Jeśli wprowadzono prawidłowe hasło, wyświetlacz pokazuje wartość przez 2 sekundy i wyświetla komunikat „PS”.
- Wybierz chronione ustawieniem, którą chcesz ustawić.

UWAGA: Jeśli nie wprowadzono prawidłowego hasła, wyświetlacz pokazuje wartość „00” przez 5 sekund i wyświetla komunikat „PS”. Aby uzyskać dostęp do chronionych funkcji, należy użyć prawidłowego hasła.

Uwaga: Ustawienia zaawansowane chronione hasłem mogą być regulowane wyłącznie tylko przez przeszkolonego specjalistę. Należy przestrzegać wymogów norm: EN 12453, EN 13241; GB (UK, NI): BS EN 12453, BS EN 13241.

7.7.15c Zmiana hasła

- Wybierz funkcję „PS” i naciśnij przycisk „P”.
- Na wyświetlaczu zamiga wartość „00”.
- Użyj przycisków „+” i „-”, aby wprowadzić obecne hasło i naciśnij przycisk „S”. Wartość zacznie migać na wyświetlaczu.
- Użyj przycisków „+” i „-”, aby wprowadzić NOWE hasło i naciśnij przycisk „P”.
- Nowa wartość hasła będzie wyświetlana przez 2 sekundy. Następnie wyświetlacz zmieni się na „PS”.

NOTE: jeśli wprowadzono błędne (aktualne) hasło, wartość „00” będzie migać przez 5 sekund i zmieni się na „PS”. W takiej sytuacji hasło nie zostanie zmienione.

W przypadku gdy hasło zostało zapomniane lub zagubione, należy przywrócić ustawienia fabryczne sterownika za pomocą funkcji zerowania (Fd). Wszystkie ustawienia (z wyjątkiem pamięci urządzeń radiowych) zostaną usunięte. Patrz str. 18.

7.7.15d Siła silników 1 i 2 podczas ruchu otwarcia i zamknięcia

Siła silnika 1 podczas ruchu w kierunku OTWARCIA

F1

Ustawienie siły silnika 1 w kierunku OTWARCIA pozwala na wprowadzenie dodatkowej siły otwarcia do wartości ustawionej podczas etapu nauczania. Aby uzyskać dostęp do tego ustawienia, należy wprowadzić hasło.

00	Siła standardowa (domyślna)	02	+30%
01	+15%	03	+50%

Siła silnika 1 podczas ruchu w kierunku ZAMKNIĘCIA

F2

Ustawienie siły silnika 1 w kierunku ZAMKNIĘCIA pozwala na wprowadzenie dodatkowej siły otwarcia do wartości ustawionej podczas etapu nauczania. Aby uzyskać dostęp do tego ustawienia, należy wprowadzić hasło.

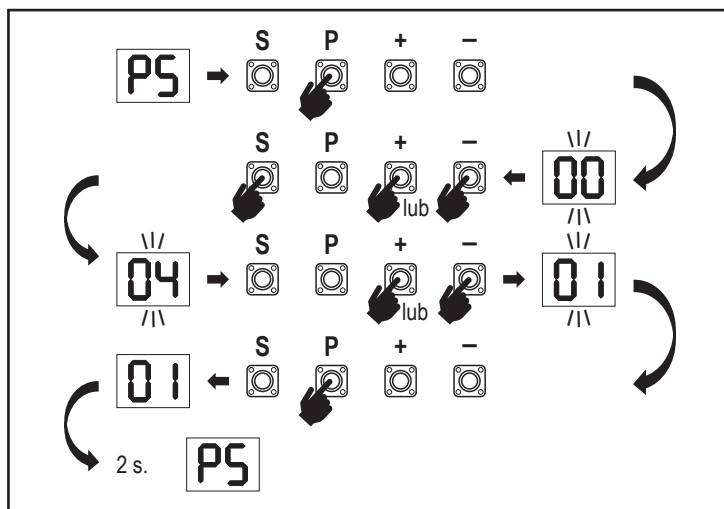
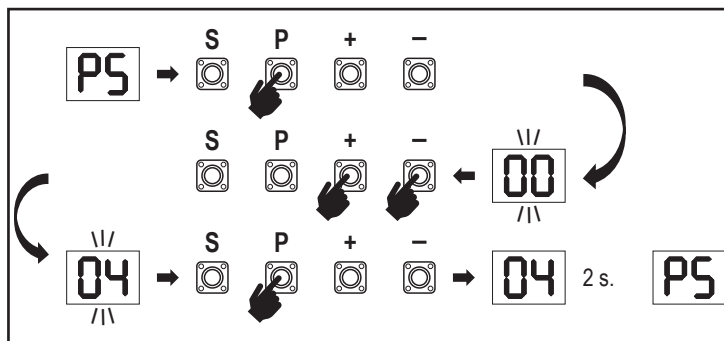
00	Siła standardowa (domyślna)	02	+30%
01	+15%	03	+50%

Siła silnika 2 podczas ruchu w kierunku OTWARCIA

F3

Ustawienie siły silnika 2 w kierunku OTWARCIA pozwala na wprowadzenie dodatkowej siły otwarcia do wartości ustawionej podczas etapu nauczania. Aby uzyskać dostęp do tego ustawienia, należy wprowadzić hasło.

00	Siła standardowa (domyślna)	02	+30%
01	+15%	03	+50%



Siła silnika 2 podczas ruchu w kierunku ZAMKNIĘCIA

F4

Ustawienie siły silnika 2 w kierunku ZAMKNIĘCIA pozwala na wprowadzenie dodatkowej siły zamknięcia do wartości ustawionej podczas etapu nauczania. Aby uzyskać dostęp do tego ustawienia, należy wprowadzić hasło.

00	Siła standardowa (domyślna)	02	+30%
01	+15%	03	+50%

7.7.15e Prędkość silników 1 i 2 podczas ruchu otwarcia i zamknięcia

S1

Prędkość silników 1 i 2 podczas ruchu w kierunku OTWARCIA

Ustawienie prędkości silnika 1 i 2 w kierunku OTWARCIA umożliwia dostosowanie prędkości otwierania bramy w stosunku do prędkości ustawionej na etapie nauczania. Aby uzyskać dostęp do tego ustawienia, należy wprowadzić hasło.

00	Prędkość standardowa (wartość domyślna)	04	+50%
01	+10%	05	-10%
02	+20%	06	-20%
03	+30%		

7. PROGRAMOWANIE

Prędkość silników 1 i 2 podczas ruchu w kierunku ZAMKNIĘCIA

S2

Ustawienie prędkości silnika 1 i 2 w kierunku ZAMKNIĘCIA umożliwia dostosowanie prędkości zamykania bramy w stosunku do prędkości ustawionej na etapie nauczania. Aby uzyskać dostęp do tego ustawienia, należy wprowadzić hasło.

00	Prędkość standardowa (wartość domyślna)	04	+50%
01	+10%	05	-10%
02	+20%	06	-20%
03	+30%		

7.7.15f Prędkość funkcji łagodnego zatrzymania

SF

Ustawienie regulacji funkcji łagodnego zatrzymania umożliwia regulację prędkości tej funkcji i zastąpienie wartości domyślnych ustawionych podczas etapu nauczania. Według ustawień domyślnych ustawienie funkcji łagodnego zatrzymania wynosi 50% standardowej prędkości. Standardowa zmiana prędkości ma wpływ na prędkość funkcji Soft-Stop.

Aby uzyskać dostęp do tego ustawienia, należy wprowadzić hasło.

00	Prędkość standardowa (wartość domyślna)	04	-50%
01	-10%	05	+10%
02	-20%	06	+20%
03	-30%		

7.8 Ustawienia fabryczne

Fd

Funkcja przywracania ustawień fabrycznych przywraca oryginalne ustawienia fabryczne sterownika. Wszystkie ustawienia, w tym ustawienia dotyczące wartości granicznych, zostaną usunięte. Na wyświetlaczu LED pojawi się wartość „E0”. Informacje o zaprogramowanych pilotach zdalnego sterowania zostaną zachowane. Jeśli konieczne jest skasowanie informacji o akcesoriach zdalnego sterowania, należy zapoznać się z odpowiednią częścią niniejszej instrukcji poświęconą programowaniu nadajników radiowych.

00	Bez zerowania (ustawienie domyślne)
01	Zerowanie do ustawień fabrycznych

7.9 Kończenie pracy i wyjście

FE

Aby zakończyć etap programowania i zapisać wszystkie zmiany, wybierz ustawienie FE i naciśnij przycisk „P”. Sterownik zostanie przestawiony w tryb oczekiwania i będzie gotowy do pracy.

Istnieją również inne sposoby na wyjście z trybu programowania i zapisanie ustawień:

- Naciśnij i przytrzymaj przycisk „P” przez 5 sekund
- Odczekaj 3 minuty po ostatnich zmianach w programowaniu, a sterownik automatycznie zapisze zmiany

8. PODTRZYMANIE BATERYJNE

Moduł podtrzymania baterijnego

BU

Wewnątrz obudowy jednostki elektronicznej można zainstalować 2 opcjonalne akumulatory ołowiowe 12V o pojemności 2,2Ah, nr katalogowy SKU 490EV (opcjonalne, nie są dołączone do zestawu napędu). Opis procedury instalacji można znaleźć w instrukcji produktu 490EV. Migająca lampka (jeśli jest zamontowana) będzie migać przez 2 sekundy co 10 minut, sygnalizując aktywację trybu BBU i utratę zasilania. Płyta sterownika przejdzie w tryb gotowości, a aktywnym odbiornik radiowym będzie przyjmować tylko polecenia radiowego urządzenia sterującego. Wszystkie inne akcesoria i urządzenia peryferyjne nie będą działać. W trybie podtrzymania baterijnego sterowanie smartfonem myQ i bezprzewodowe urządzenia myQ będą wyłączone. Pojemność w pełni naładowanego akumulatora powinna umożliwić wykonanie do ~20 cykli w tempie 2 na godzinę. Po 24 godzinach pracy w trybie BBU akumulator powinien zapewnić zasilanie na 1 pełny cykl otwarcia i zamknięcia. Należy pamiętać, że w napędzie można używać jedynie konkretnych modeli akumulatorów. Użycie jakiegokolwiek innego akumulatora będzie skutkowało utratą gwarancji i odpowiedzialności LiftMaster za jakiegokolwiek szkody wynikające z użycia akumulatorów niezalecanych przez producenta.

9. KODY BŁĘDÓW

LED	Kod błędu	Problem	Możliwa przyczyna	Rozwiązanie
E0	E0	Naciśnięto przycisk na nadajniku, ale brama się nie rusza	Ustawienie AP wynosi 00	Sprawdzić, czy ustawienie AP wynosi 00. Jeśli tak, zmień ustawienie zastosowania na właściwe.
E1	E1	Brama się nie zamyka, ale może się otworzyć.	1) Fotokomórka IR1 nie jest podłączona lub jej przewód został przerwany. 2) W fotokomórcie IR1 wystąpiło zwarcie lub odwrotnie podłączono przewody. 3) Fotokomórka IR1 nie jest poprawnie ułożona lub została zasłonięta.	1) Sprawdzić, czy fotokomórka IR1 jest podłączona, a jej przewód nie jest uszkodzony. 2) Sprawdzić połączenie fotokomórki IR1; w razie potrzeby zamienić przewody. 3) Wyrównać ułożenie nadajnika i odbiornika podczerwieni i upewnić się, że obie diody LED świecą się światłem stałym, a nie migają. Upewnić się, że na bramie nie wisi żadna przeszkoda, która mogłaby blokować promień światła podczerwieni.
E2	E2	Brama może się zamknąć, gdy jest na wartości granicznej otwarcia, ale nie może się otworzyć, gdy jest na wartości granicznej zamknięcia.	1) Fotokomórka IR2 nie jest podłączona lub jej przewód został przerwany. 2) W fotokomórcie IR2 wystąpiło zwarcie lub odwrotnie podłączono przewody. 3) Fotokomórka IR2 nie jest poprawnie ułożona lub została zasłonięta.	1) Sprawdzić, czy fotokomórka IR2 jest podłączona, a jej przewód nie jest uszkodzony. 2) Sprawdzić połączenie fotokomórki IR2; w razie potrzeby zamienić przewody. 3) Wyrównać ułożenie nadajnika i odbiornika podczerwieni i upewnić się, że obie diody LED świecą się światłem stałym, a nie migają. Upewnić się, że nic nie blokuje promienia światła podczerwieni.
E3	E3	Naciśnięto przycisk na nadajniku, ale brama się nie rusza.	1) Fotokomórka IR3 nie jest podłączona lub jej przewód został przerwany. 2) W fotokomórcie IR3 wystąpiło zwarcie lub odwrotnie podłączono przewody. 3) Fotokomórka IR3 nie jest poprawnie ułożona lub została zasłonięta.	1) Sprawdzić, czy fotokomórka IR3 jest podłączona, a jej przewód nie jest uszkodzony. 2) Sprawdzić połączenie fotokomórki IR3; w razie potrzeby zamienić przewody. 3) Wyrównać ułożenie nadajnika i odbiornika podczerwieni i upewnić się, że obie diody LED świecą się światłem stałym, a nie migają. Upewnić się, że na bramie nie wisi żadna przeszkoda, która mogłaby tymczasowo blokować promień światła podczerwieni.
E4	E4	Naciśnięto przycisk na nadajniku, ale brama się nie rusza.	1) Krawędź bezpieczeństwa nie jest połączona z opornikiem o wartości 8,2 kiloomów. 2) Wystąpiło zwarcie w przewodzie krawędzi bezpieczeństwa. 3) Wciśnięto krawędź bezpieczeństwa.	1) Sprawdzić, czy krawędź bezpieczeństwa z opornikiem 8,2 kiloomów jest prawidłowo podłączona i czy opornik o wartości 8,2 kiloomów jest zainstalowany w odpowiednim miejscu obwodu. 2) Sprawdzić przewody krawędzi bezpieczeństwa i w razie potrzeby wymienić. 3) Sprawdzić, czy wciśnięto krawędź bezpieczeństwa.

9. KODY BŁĘDÓW

LED	Kod błędu	Problem	Możliwa przyczyna	Rozwiązanie
E5	E5	Naciśnięto przycisk na nadajniku, ale brama się nie rusza.	1) Przelącznik ZATRZYMANIA jest otwarty. 2) Przelącznik ZATRZYMANIA nie jest podłączony.	1) Sprawdzić, czy przelącznik ZATRZYMANIA jest otwarty lub uszkodzony. 2) Sprawdzić, czy przelącznik ZATRZYMANIA jest odłączony. Jeśli tak, należy ponownie podłączyć przelącznik ZATRZYMANIA lub zmienić ustawienie odpowiedniego sygnału wejścia na inną wartość.
E7	E7	Naciśnięto przycisk na nadajniku, ale brama się nie rusza.	Awaria wzmacniacza sterownika silnika 1.	Odłączyć zasilanie na 20 sekund i zresetować sterownik. Sprawdzić, czy sterownik odzyskał sprawność. Jeśli nie, należy wymienić płytę sterownika.
E8	E8	Naciśnięto przycisk na nadajniku, ale brama się nie rusza.	Awaria wzmacniacza sterownika silnika 2.	Odłączyć zasilanie na 20 sekund i zresetować sterownik. Sprawdzić, czy sterownik odzyskał sprawność. Jeśli nie, należy wymienić płytę sterownika.
E9	E9	Naciśnięto przycisk na nadajniku, ale brama się nie rusza.	Błąd pamięci sterownika.	Odłączyć zasilanie na 20 sekund i zresetować sterownik. Sprawdzić, czy sterownik odzyskał sprawność. Jeśli nie, należy wymienić płytę sterownika.
F1	F1	Silnik 1 zatrzymuje się i zmienia kierunek podczas otwierania lub zamykania.	Silnik 1 jest zablokowany.	Sprawdzić i usunąć przeszkodę. Wyczyścić bramę.
F2	F2	Silnik 2 zatrzymuje się i zmienia kierunek podczas otwierania lub zamykania.	Silnik 2 jest zablokowany.	Sprawdzić i usunąć przeszkodę. Wyczyścić bramę.
F3	F3	Silnik 1 zatrzymuje się i zmienia kierunek podczas otwierania lub zamykania.	Zwarcie silnika 1 lub uszkodzony czujnik prędkości obrotowej.	Sprawdzić, czy w silniku 1 nie wystąpiło zwarcie lub uszkodzenie czujnika prędkości obrotowej.
F4	F4	Silnik 2 zatrzymuje się i zmienia kierunek podczas otwierania lub zamykania.	Zwarcie silnika 2 lub uszkodzony czujnik prędkości obrotowej.	Sprawdzić, czy w silniku 2 nie wystąpiło zwarcie lub uszkodzenie czujnika prędkości obrotowej.
F5	F5	Wcisnąć nadajnik, ale silnik nie działa.	Awaria modułu radiowego.	Odłączyć zasilanie na 20 sekund i zresetować sterownik. Sprawdzić, czy sterownik odzyskał sprawność. Jeśli nie, należy wymienić płytę sterownika.
F6	F6	Brama cofająca się podczas zamykania.	Niski poziom naładowania baterii.	Naładuj akumulator.
F7	F7	Naciśnięto przycisk na nadajniku, ale brama się nie rusza.	Uszkodzona płytka sterownika.	Odłączyć zasilanie na 20 sekund i zresetować sterownik. Sprawdzić, czy sterownik odzyskał sprawność. Jeśli nie, należy wymienić płytę sterownika.
F9	F9	Wcisnięto przycisk na nadajniku lub inny przycisk sterujący, ale silnik nie działa.	Menu zastosowania (AP) zostało przywrócone do ustawień fabrycznych.	Przeprowadzić ponowne nauczanie wartości granicznych.
LE	LE	Silnik nagle się zatrzymuje.	Naciśnięto przycisk C podczas nauki wartości granicznych.	Przeprowadzić ponowne nauczanie wartości granicznych.

10. DANE TECHNICZNE

		AA250EVK			AA250EVK
Napięcie wejściowe	VAC	220-240	Zasilanie akcesoriów zewnętrznych	24VDC – maks. 500mA	
Częstotliwość wejściowa	Hz	50/ 60	Złącze sygnału świetlnego błyskowego	24VDC – maks. 500mA	
Napięcie silnika	VDC	24V	Złącze zamka elektrycznego/magnetycznego	24VDC – maks. 500mA	
„Zużycie prądu w stanie oczekiwania (bez akcesoriów)”	W	3,2	Zewnętrzny przekaźnik	24VDC – maks. 500mA	
Moc znamionowa silnika	W	100W (AA250-24P) 50W (AA250-24S)	Krawędź bezpieczeństwa	8,2 kiloomów	
Obciążenie znamionowe	Nm	72,4	Maks. liczba nadajników podczerwonych	3	
Maks. moment obrotowy	Nm	200	Maks. liczba wyjść zewnętrznych	3	
Liczba cykli na godzinę		10	Moduł podtrzymania bateryjnego	2 akumulatory 12V, 2,2 Ah model 490EV	
Maks. liczba cykli dziennie		30	Klasa szczelności silnika	IP	44
Maks. szerokość/waga skrzydła	m / kg	1,5 m / 250 kg 2,0 m / 200 kg 2,5 m / 150 kg	Poziom hałasu	dB	< 70 db(A)
Maks. kąt otwarcia		120°	Temperatura robocza	°C	-20°C do +55°C
Czas otwierania do kąta 90°	s	13-15	Waga (zestawu)	kg	20
Układ wyłączników krańcowych		Enkoder z odbojnikami	Częstotliwość nadajnika	TX4EVF	868 MHz (868,30 MHz, 868,95 MHz, 869,85 MHz)
Częstotliwość radiowa	MHz	Odbiór 433 MHz (433,30 MHz, 433,92 MHz, 434,54 MHz) Odbiór 868 MHz (868,30 MHz, 868,95 MHz, 869,85 MHz) Nadawanie 865,125 MHz, 865,829 MHz, 866,587 MHz <10mW	Moc nadawania		<10mW
Moc nadawania		Bateria	CR2032 3V		
Code			Security+ 2.0		
Maks. liczba pilotów zdalnego sterowania		180			
Maks. liczba klawiatur		4			
Maks. liczba urządzeń myQ		16			

11. KONSERWACJA I SERWIS

Wymiana baterii w pilocie zdalnego sterowania

Bateria pilota zdalnego sterowania:

Baterie w pilocie mają bardzo długą żywotność. Jeśli zasięg transmisji ulegnie zmniejszeniu, należy wymienić baterie. Baterie nie są objęte gwarancją.

Należy przestrzegać następujących wskazówek dotyczących baterii:

Baterie nie powinny być traktowane jako odpady domowe. Zgodnie z prawem wszyscy konsumenci są zobowiązani do właściwej utylizacji baterii w wyznaczonych punktach zbiórki. Nigdy nie należy ładować baterii, które nie są przeznaczone do ponownego ładowania.

Niebezpieczeństwo wybuchu!

Baterie należy przechowywać z dala od dzieci, nie wolno ich zwierać ani rozbierać na części. Jeśli bateria zostanie połączona, należy natychmiast skontaktować się z lekarzem. W razie potrzeby oczyścić styki na baterii i urządzeniach przed włożeniem ich do urządzenia. Rozładowane baterie należy natychmiast wyjąć z urządzenia!

Zwiększone ryzyko wycieku!

Nigdy nie wystawiać baterii na działanie nadmiernego ciepła, takiego jak promienie słoneczne, ogień lub podobne!

Powoduje to zwiększone ryzyko wycieku!

Unikać kontaktu ze skórą, oczami i ustami. Części dotknięte kwasem akumulatorowym należy przepłukać dużą ilością zimnej wody i natychmiast skonsultować się z lekarzem. Używać tylko baterii tego samego typu. Jeśli urządzenie nie będzie używane przez dłuższy czas, należy wyjąć z niego baterie.

Wymiana baterii:

Aby wymienić baterię, należy odwrócić pilota i otworzyć obudowę za pomocą śrubokręta. Podnieść pokrywę i znajdującą się pod nią płytę sterownika. Przesunąć baterię na jedną stronę i wyjąć ją z urządzenia. Należy zwrócić uwagę na biegunowość baterii! Zmontować ponownie, wykonując opisane czynności w odwrotnej kolejności.

UWAGA!

Nieprawidłowa wymiana baterii może grozić wybuchem. Wymieniać baterię tylko na baterię o identycznym lub równoważnym rodzaju (CR2032) 3V.

PRZESTROGA

Wymiana baterii na baterię nieodpowiedniego rodzaju grozi wybuchem.

Nie połykać baterii, Zagrożenie poparzeniem chemicznym.

Ten produkt zawiera płaską baterię (guzikową). W przypadku połącznienia, baterie guzikowe mogą spowodować obrażenia ciała lub śmierć.

OSTRZEŻENIE

- Baterie należy przechowywać w miejscu niewidocznym i niedostępnym dla dzieci; baterie guzikowe/kabinowe mogą być niebezpieczne dla dzieci.
- Zużyte baterie guzikowe należy natychmiast wyrzucić. Nie należy używać uszkodzonych lub spuchniętych baterii.
- Należy okresowo sprawdzać, czy komora baterii jest sprawna. Ww razie uszkodzenia należy zaprzestać użytkowania.
- Jeśli istnieje podejrzenie, że baterie mogły zostać połącznione lub umieszczone w jakiegokolwiek części ciała, należy natychmiast skontaktować się z lekarzem.



Mechanizm napędowy

Mechanizm napędowy jest bezobsługowy. W regularnych odstępach czasu (co miesiąc) należy sprawdzać zamocowanie okuć bramy i napędu. Zwolnić napęd i sprawdzić, czy brama działa prawidłowo. Jeśli brama nie porusza się płynnie, nie będzie działać prawidłowo z mechanizmem napędowym. Napęd nie jest w stanie wyeliminować problemów wynikających z nieprawidłowego działania bramy.


Regulacja wyłącznika krańcowego i regulacja siły


Ustawienia te muszą być sprawdzone i prawidłowo wyregulowane podczas instalacji napędu bramy! Działanie czynników atmosferycznych w trakcie eksploatacji napędu może wywołać drobne zmiany w jego działaniu, które należy usunąć poprzez regulację lub wprowadzenie nowych ustawień. Może się to zdarzyć zwłaszcza w pierwszym roku użytkowania napędu. Używając instrukcji, należy dostosować ustawienia wartości granicznych i siły ruchu bramy (patrz rozdział Etap nauczania ogranicznika, str. 11 i 12), a po każdej zmianie ustawień ponownie sprawdzić poprawność funkcjonowania funkcji automatycznego cofania ruchu bramy!

Demontaż

WAŻNE! Należy przestrzegać wskazówek bezpieczeństwa. Patrz „Instrukcje bezpieczeństwa” (str. 2 i 3). Podczas demontażu należy wykonywać czynności opisane w sekcji „Montaż”, ale w odwrotnej kolejności. Czynności konfiguracji można pominąć.

12. UTYLIZACJA

 Nasze urządzenia elektryczne i elektroniczne nie mogą być wyrzucane razem z odpadami domowymi, a po zakończeniu użytkowania muszą zostać zutylizowane zgodnie z dyrektywą WEEE UE: 2012/19/EU; GB UK(NI): SI 2012 nr. 19 dotyczącą sprzętu elektrycznego i elektronicznego w celu zapewnienia, że materiały są poddawane recyklingowi. Selektywna zbiórka zużytego sprzętu elektrycznego zapewnia przyjazną dla środowiska utylizację odpadów i jest całkowicie bezpłatna dla konsumenta. Nr rej. WEEE w Niemczech: DE66256568. Wszelkie odpady opakowaniowe pozostawione u konsumenta końcowego muszą być zbierane oddzielnie od odpadów zmieszanych, zgodnie z dyrektywą. Opakowania nie mogą być wyrzucane razem z odpadami domowymi, organicznymi lub do środowiska naturalnego. Materiały opakowaniowe należy posegregować zgodnie z materiałem, z którego zostały wykonane i wyrzucić do przewidzianych pojemników na surowce wtórne oraz do określonych pojemników komunalnych na surowce wtórne.

 Nasze baterie są sprzedawane zgodnie z obowiązującym prawem. Przekreślony koszt na śmieci oznacza, że akumulatorów lub baterii nie wolno wyrzucać razem z odpadami domowymi. Akumulatory lub baterie dołączone do produktu (dane techniczne). W celu uniknięcia szkód dla środowiska lub zdrowia ludzi, zużyte baterie należy oddawać do utylizacji w komunalnych centrach recyklingu lub w punktach sprzedaży detalicznej, zgodnie z przepisami prawa. Baterie mogą być przekazywane do utylizacji tylko po całkowitym rozładowaniu, a w przypadku akumulatorów litowych – tylko z zaklejonymi stykami. Baterie i akumulatory mogą być łatwo usunięte z naszych urządzeń w celu utylizacji. Nr rejestracyjny w Niemczech: 21002670.

13. GWARANCJA

Niniejsza gwarancja producenta nie narusza ustawowych praw użytkownika. Warunki gwarancji znajdują się na stronie www.liftmaster.eu.

14. DEKLARACJA ZGODNOŚCI

Niniejsza instrukcja składa się z niniejszej instrukcji obsługi oraz deklaracji zgodności.

Typ urządzenia radiowego (TX4EVF) jest zgodny z dyrektywą 2014/53/UE, a w Wielkiej Brytanii z przepisem Radio Equipment Regulation SI 2017 No. 1209.

Pełny tekst deklaracji zgodności UE jest dostępny pod następującym adresem internetowym: <https://doc.chamberlain.de>

POZNÁMKA:Původní návod k montáži a obsluze byl vyhotoven v anglickém jazyce. Všechny ostatní dostupné jazyky jsou překladem původní anglické verze

1. BEZPEČNOSTNÍ POKYNY A ZAMÝŠLENÉ POUŽITÍ	2
2. ROZSAH DODÁVKY	4
3. POTŘEBNÉ NÁSTROJE.....	4
4. POPIS POHONU.....	4
5. MECHANICKÁ INSTALACE.....	5
5.1 Rozměry brány a pohonu	5
5.2 Určení polohy konzoly	5
5.3 Montáž konzoly.....	6
5.4 Montáž pohonu a nastavení vzdálenosti pojezdu.....	6
5.5 Mechanismus nouzového uvolnění	8
5.6 Montáž řídicí desky a zapojení motoru	8
5.7 Elektrické zapojení.....	8
6. SCHÉMA ZAPOJEN	9
7. PROGRAMMING.....	10
7.1 Displej, programovací tlačítka a nastavení funkcí	10
7.2 Obecný přehled programování	10
7.3 Směr pohybu křídla.....	11
7.4 Základní nastavení	11
7.4.1 Nastavení aplikace	11
7.4.2 Nastavení směru motoru 1	11
7.4.3 Nastavení směru motoru 2	11
7.4.4 Učení koncové polohy	11
7.5 Pohotovostní režim.....	12
7.6 Programování a odstraňování dálkových ovladačů, rádiového příslušenství a zařízení myQ.....	13
7.7 Pokročilá nastavení	14
7.7.1 Přehled pokročilého nastavení	14
7.7.2 Nastavení vysílače.....	14
7.7.3 Nastavení infračervených fotobuněk	14
7.7.4 Vstupní nastavení.....	14
7.7.5 Částečné otevření Motor 1	15
7.7.6 Zpoždění motoru 2 ve směru otevírání.....	15
7.7.7 Zpoždění motoru 1 ve směru otevírání.....	15
7.7.8 Časovač zavření.....	15
7.7.9 Doba zpětného chodu po nárazu	15
7.7.10 Nastavení el./mag. zámku	15
7.7.10a Podpůrný motor pro el. zámek.....	16
7.7.11 Nastavení majáku.....	16
7.7.11a Předblikání.....	16
7.7.12 Nastavení zvláštních kontaktů.....	16
7.7.13 Rychlost spuštění v otevřeném a zavřeném směru.....	16
7.7.14 Počítadlo údržby.....	16
7.7.15 Funkce a nastavení chráněné heslem.....	16
7.7.15a Změna hesla	16
7.7.15b Používání hesla	17
7.7.15c Změna hesla	17
7.7.15d Síla motorů 1 a 2 ve směru otevírání a zavírání.....	17
7.7.15e Rychlost motorů 1 a 2 ve směru otevírání a zavírání	17
7.7.15f Rychlost pozvolného zastavení	18
7.8 Výchozí tovární nastavení	18
7.9 Dokončení a ukončení	18
8. ZÁLOŽNÍ BATERIE	18
9. KÓDY CHYB.....	18
10. TECHNICKÉ ÚDAJE	19
11. MAINTENANCE	20
12. DISPOSAL	20
13. WARRANTY	20
14. PROHLÁŠENÍ O SHODĚ.....	20

1. BEZPEČNOSTNÍ POKYNY A ZAMÝŠLENÉ POUŽITÍ

O Tomto návodu – Originální návod

Tento návod je originálním návodem k obsluze podle směrnice 2006/42 ES o strojních zařízeních. Pro pochopení důležitých informací o výrobku je třeba si pozorně přečíst návod k použití. Věnujte pozornost bezpečnostním a varovným upozorněním. Návod uschovejte na bezpečném místě, abyste do něj mohli v budoucnu nahlédnout a aby byl k dispozici všem osobám pro účely kontroly, servisu, údržby a oprav. Po montáži předejte kompletní dokumentaci odpovědné osobě/vlastníkovi.

Kvalifikace způsobilého montážního pracovníka

Pouze správná instalace a údržba provedená kompetentním montážním technikem (odborníkem) / kompetentní firmou v souladu s návodem k použití musí být srozumitelná a musí zajistit bezpečnou a zamýšlenou funkci zařízení. Odborníkem je ten, kdo má na základě svého odborného vzdělání a zkušeností dostatečné znalosti v oblasti motorových bran a navíc zná příslušné vnitrostátní předpisy o bezpečnosti práce a obecně uznávaná technologická pravidla v takovém rozsahu, že je schopen posoudit i bezpečný provozní stav motorových bran podle norem ČSN EN 13241, 12604, 12453 (ČSN EN 12635).

Osoba provádějící instalaci musí rozumět následujícím skutečnostem:




Před instalací pohonu zkontrolujte, zda je poháněná část v dobrém mechanickém stavu, zda se správně otevírá a zavírá a zda je případně správně vyvážená. Před prvním použitím a nejméně jednou ročně musí odborník zkontrolovat bezpečný stav motorových bran. Po instalaci musí montážní technik zajistit správné seřízení mechanismu a správnou funkci ochranného systému a případného manuálního uvolnění (EN 13241, EN12604, EN 12453, EN 12635. V souladu s normami musí být prováděna pravidelná údržba a kontrola. Montážní technik musí ostatní uživatele poučit o bezpečném provozu systému pohonu.

Po úspěšné instalaci systému pohonu musí odpovědný montážní technik v souladu s předpisy Směrnice o strojních zařízeních 2006/42/EC. Dodávky strojních zařízení (bezpečnost) 2008 SI 2008 č. 1597, musí vydat CE. Prohlášení o shodě pro vratový systém ve Spojeném království. CE. Na vratový systém musí být připevněn štítek ve značce UKCA. To je povinné i při dodatečné montáži na ručně ovládaná vrata. Dále je třeba vyplnit předávací protokol a knihu kontrol.

Přečtěte si návod k obsluze a zejména bezpečnostní pokyny. Následující symboly jsou umístěny před návodem, aby se předešlo zranění osob nebo poškození majetku. Tento návod si pozorně přečtěte.

Výstražné symboly

Obecný výstražný symbol označuje nebezpečí, které může vést ke zranění nebo úmrtí. V textové části se používají obecné výstražné symboly, jak je popsáno níže.

Symbol NEBEZPEČÍ	Symbol VAROVÁNÍ	Symbol UPOZORNĚNÍ	Symbol POZOR
 NEBEZPEČÍ	 VAROVÁNÍ	 UPOZORNĚNÍ	POZOR
Označuje nebezpečí, které přímo vede k úmrtí nebo vážným zraněním.	Označuje nebezpečí, které může vést k úmrtí nebo vážnému zranění.	Označuje nebezpečí, které může vést k poškození nebo zničení výrobku.	Označuje nebezpečí, které může vést k poškození nebo zničení výrobku.

Zamýšlené použití

Pohon křídlových vrat je konstruován a testován výhradně k ovládní křídlových vrat s plynulým chodem v rezidenčním, nekomerčním sektoru.

Specifikace pro vrata jsou definovány v mechanických požadavcích podle EN12604.

Nesmí být překročena maximální přípustná velikost vrat a maximální hmotnost. Vrata se musí plynule otevírat a zavírat ručně. Pohon používejte na branách, které odpovídají platným normám a pokynům. Při použití dveřních nebo vratových panelů EU je třeba zohlednit regionální podmínky zatížení větrem: EN13241. Dodržujte údaje výrobce týkající se kombinace vrat a pohonu. Možná nebezpečí ve smyslu EN13241 je třeba se vyvarovat konstrukci a instalací dveří/brány podle příslušných pokynů. Tento mechanismus vrat musí být instalován a provozován v souladu s příslušnými bezpečnostními předpisy.

Nesprávné použití

Není určeno k nepřetržitému provozu a použití v komerčních provozech.

Konstrukce systému pohonu není navržena pro provoz bran mimo specifikace výrobce.

Není povoleno na branách, které se pohybují se zvedáním/sklápěním.

Jakékoli nesprávné použití systému pohonu může zvýšit riziko nehod. Výrobce za takové použití nenes žádnou odpovědnost. S tímto pohonem musí automatická vrata splňovat aktuálně platné mezinárodní a místní normy, směrnice a předpisy (EN 13241, EN12604, EN 12453).

K pohonu smí být připojeno pouze příslušenství LiftMaster a schválená příslušenství. Nesprávná instalace a/nebo nedodržení následujících pokynů může mít za následek vážné zranění osob nebo poškození majetku.

Systémy otevírání vrat umístěné na veřejně přístupných místech, které mají pouze silové omezení, lze provozovat pouze pod plným dohledem.

V souladu s předpisy je třeba zvážit další bezpečnostní zařízení: EN12453.

1. BEZPEČNOSTNÍ POKYNY A ZAMÝŠLENÉ POUŽITÍ

Vrata nesmí v žádném případě během provozu blokovat veřejné cesty a komunikace (veřejný prostor).

Při používání nářadí a malých dílů při instalaci nebo opravách vrat dbejte zvýšené opatrnosti a nenoste prsteny, hodinky ani volné oblečení.

Aby nedošlo k vážnému zranění osob v důsledku zachycení, odstraňte všechna zajišťovací zařízení namontovaná na vratech, aby nedošlo k jejich poškození.

Instalace a zapojení musí být v souladu s místními stavebními a elektroinstalačními předpisy. Napájecí kabely musí být připojeny pouze k řádně uzemněnému napájení.

Před instalací, údržbou, opravami nebo demontáží krytů odpojte systém od elektrického napájení. K síťovému napájení (trvale zapojená instalace) musí být připojeno odpojovací zařízení, které zaručí odpojení všech pólů (odpojovač nebo samostatná pojistka). Opravy a elektroinstalace smí provádět pouze autorizovaný elektrikář. Tlačítko nouzového zastavení musí být instalováno pro případ nouze na základě posouzení rizik.

Dbejte na to, aby nedošlo k zachycení mezi poháněným dílem a okolními pevnými díly v důsledku pohybu otevírání poháněného dílu, a to dodržováním daných bezpečnostních vzdáleností podle EN 13241, EN12604, EN 12453, EN 12635 a/nebo s bezpečnostními zařízeními (např. spínací lišta)

Testování bezpečnostní funkce systému pohonu se doporučuje provádět alespoň jednou měsíčně. Řiďte se také pokyny výrobce jednotlivých komponentů vratového systému.

Po instalaci musí být provedena závěrečná zkouška úplné funkčnosti systému a bezpečnostních zařízení a všichni uživatelé musí být poučeni o funkci a ovládání pohonu křídlových vrat.

Vratové systémy musí splňovat omezení síly podle EN 12453, EN 60335-2-103.

Při změnách v systému je třeba v souladu s normou zvážit dodatečné bezpečnostní zařízení (např. spínací lišta).

Je důležité zajistit, aby brána vždy fungovala bez problémů. Vrata, která se zadrhávají nebo zasekávají, je třeba okamžitě opravit. Opravu vrat svěřte kvalifikovanému technikovi, nikdy se je nepokoušejte opravit sami. Toto zařízení není určeno k používání osobami (včetně dětí) s omezenými fyzickými, smyslovými nebo duševními schopnostmi nebo s nedostatečnými zkušenostmi či znalostmi, pokud nejsou pod dohledem osoby odpovědné za jejich bezpečnost nebo pokud nebyly poučeny o tom, jak zařízení používat. V případě potřeby MUSÍ být ovládací zařízení namontováno na dohled od brány a mimo dosah dětí. Děti by měly být pod dohledem, aby si s přístrojem nehrály. Nedovolte dětem, aby ovládaly tlačítka nebo dálkové ovládání. Nesprávné použití systému pohonu vrat může vést k vážnému zranění.

Na dobře viditelných místech by měly být umístěny výstražné značky.

Otvírač vrat by se měl používat POUZE tehdy, pokud uživatel vidí na celý prostor vrat a má jistotu, že v něm nejsou žádné překážky a že je pohon vrat správně nastaven. V prostoru vrat nesmí nikdo procházet, pokud jsou v pohybu. Nikdo nesmí procházet přes prostor vrat, pokud jsou v pohybu.

Úplná ochrana proti případnému rozdrčení nebo zachycení musí fungovat okamžitě po instalaci ramen pohonu.

Mechanické prvky a elektroinstalace nebo zavírací hrany brány mohou představovat nebezpečí v podobě rozdrčení a nárazu:

- Porucha konstrukce, křídlo, závěsy, upevnění, zarážky pojezdu, zatížení větrem
- Drcení, oblast závěsu, pod vrata, bezpečnostní vzdálenost od pevného předmětu
- Elektrická porucha (kontrola – poruchy bezpečnostních systémů)
- Náraz, uklizená plocha, ovládací zařízení vyžadující pro provoz nepřetržitě ruční ovládání, omezení síly, detekce přítomnosti

Musí být přijata vhodná opatření k zajištění bezpečného provozu systému vrat v souladu s normami.

Nikdy nespouštějte poškozený pohon.

Ruční uvolnění používejte pouze k odpojení pohonu a – pokud je to možné – POUZE tehdy, když jsou vrata zavřená. Spuštění nouzového manuálního uvolnění může vést k nekontrolovaným pohybům vrat. Příkladem bezobslužného provozu vrat je funkce časovače zavření (ČZ) a aplikace myQ Smartphone Control.

Za bezobslužné otevírání/zavírání se považuje jakékoli zařízení nebo funkce, která umožňuje zavírání vrat, aniž by byla v jejich zorném poli.

Funkci časovače zavření (ČZ), ovládání chytrým telefonem myQ a další zařízení myQ lze aktivovat POUZE tehdy, když jsou nainstalovány fotobuňky Liftmasters (ČZ funguje pouze v blízkém směru). Vrata se smí ovládat pouze při přímé viditelnosti na ně.

DŮLEŽITÉ INFORMACE!

- Tento postup je vyžadován také u soukromých zařízení (nových nebo dodatečně instalovaných na ručně ovládaná vrata).
Tento návod k montáži a obsluze si musí uživatel uschovat.
- Výrobce nepřebírá žádnou odpovědnost/záruční nároky vyplývající z jiného než určeného použití a po uplynutí záruky.
- Právní prostředek nápravy je výhradní odpovědností za všechna související práva.

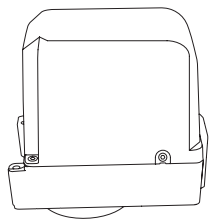
POZNÁMKA: Dodržujte návod k montáži a obsluze.

- Vždy sledujte funkci systému a v případě poruchy okamžitě odstraňte její příčinu.
- Každý rok provádějte kontrolu systému. Zavolejte odborníka.
- Mezi křídlem vrat a okolím musí být dodrženy bezpečnostní vzdálenosti v souladu s příslušnými normami.
- Pohon lze instalovat pouze na stabilní a pevná křídla vrat. Křídla vrat se při otevírání a zavírání nesmí ohýbat ani kroutit.
- Ujistěte se, že panty křídla vrat jsou namontovány a fungují správně a nevytvářejí žádné překážky.
- Montáž dvou pohonů na stejné dveřní křídlo je přísně zakázána.
- Dodržujte odpovídající požadavky místních a vnitrostátních předpisů na dodržování opatření na ochranu lidského zdraví, která je nutné dodržovat při kontaktu s jinými osobami, včetně zaměstnanců, dodavatelů a zákazníků (např. bezpečnostní vzdálenost, požadavek na ochrannou masku atd.).
- Přesné informace si můžete vyžádat od místních úřadů.

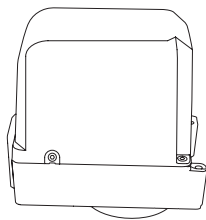


2. ROZSAH DODÁVKY

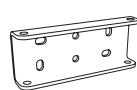
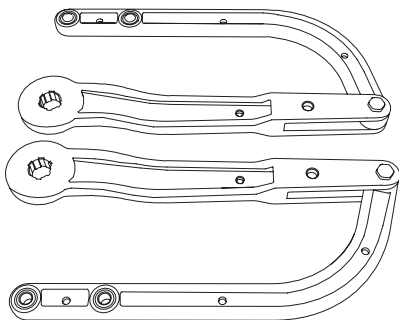
AA250EVK



Primární jednotka s řídicí deskou



Sekundární jednotka



Konzole pro upevnění ke sloupku (2x)



Konzole pro upevnění k vratům (2x)



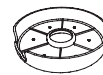
Pojistný kroužek (2x)



Kolík s pojistným kroužkem (2x)



Šroub a matice (4x)



Kryt (2x)



Šroub a podložka (2x)



Odlehčení tahu 4 x M16 2 x M20



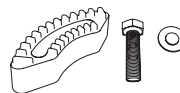
Průchodky (6x)



Dálkový ovladač (2x)



Uvolňovací klíč (4x)

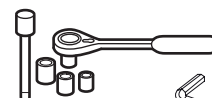
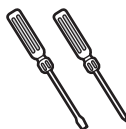
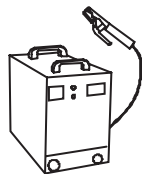
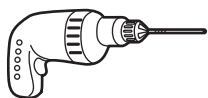


Pevné dorazy (4x) šrouby + podložky (4x)



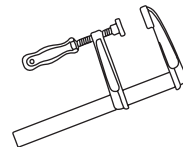
Návod k montáži

3. POTŘEBNÉ NÁSTROJE

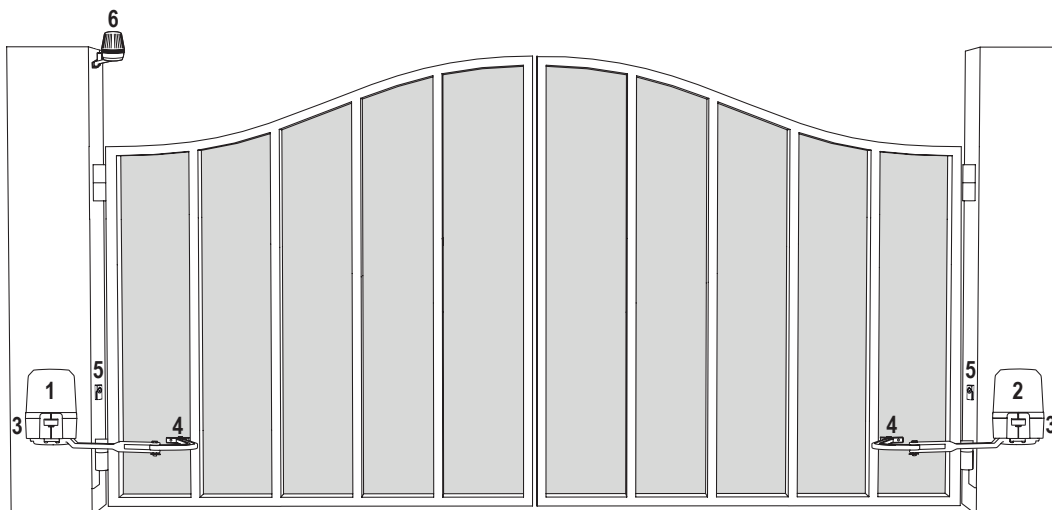


13, 14 mm

6 mm



4. POPIS POHONU



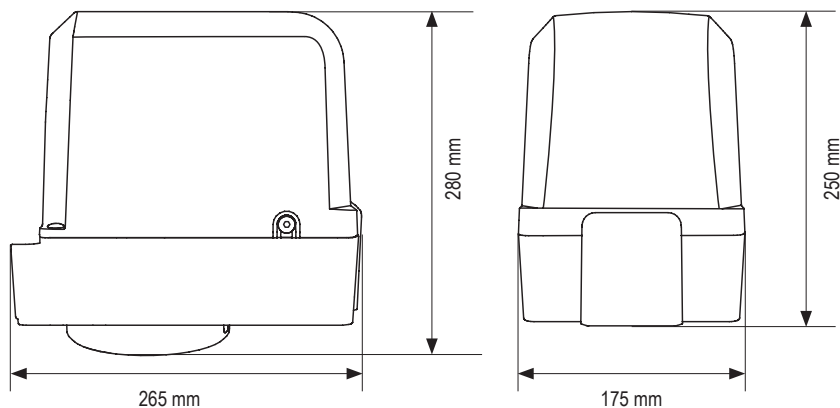
1. Motor 1 s řídicí deskou
2. Motor 2
3. Konzole sloupku (skrytá)
4. Konzola vrat
5. Infračervené fotobuňky
6. Zábleskové světlo

5. MECHANICKÁ MONTÁŽ

Tímto zahájíte mechanickou montáž pohonu brány.

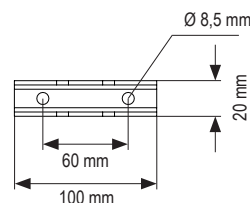
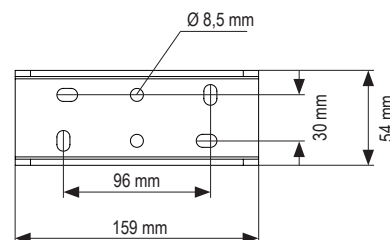
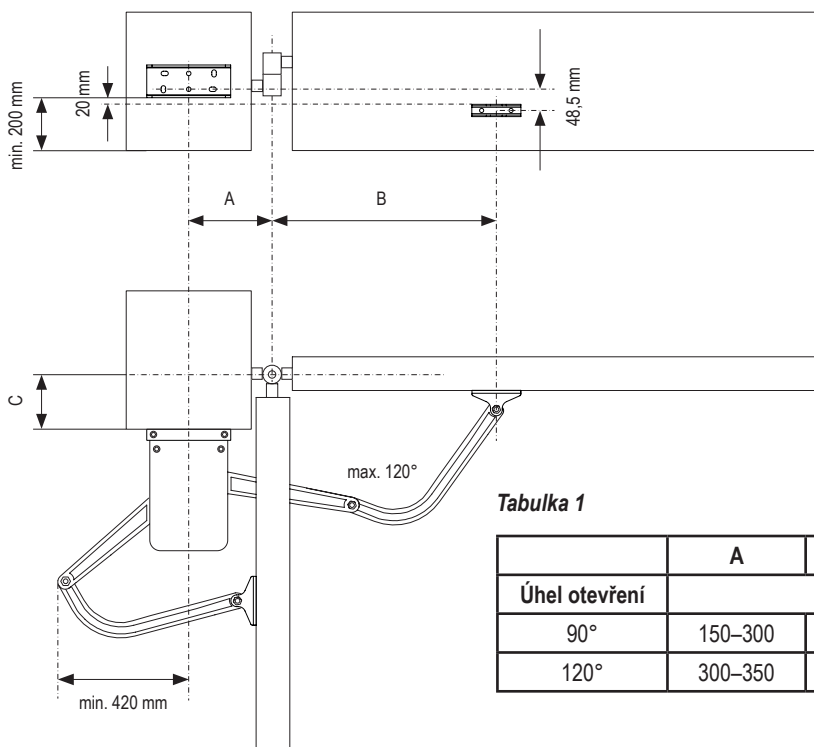
5.1 Rozměry vrat a pohonu

AA250EVK



AA250EVK	
1,5 m	250 kg
2,0 m	200 kg
2,5 m	150 kg

Příklad instalace



Tabulka 1

	A	B	C
Úhel otevření	mm		
90°	150–300	390–540	0–300
120°	300–350	300–350	0–25

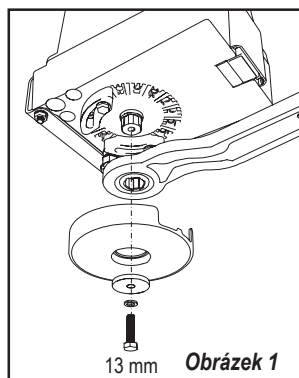
5.2 Určení polohy konzoly sloupku

1. Určete rozměry A, B a C na základě úhlu otevření uvedeného v tabulce 1 a potvrďte polohu, na kterou bude konzola sloupku namontována.

POZNÁMKA: Všechny body, které mohou způsobit rozdrčení, musí být zajištěny proti zachycení podle EU: EN 12453, EN 60335-2-103; GB (UK, NI): BS EN 12453, BS EN 60335-2-103.

Upevnění ramene pohonu

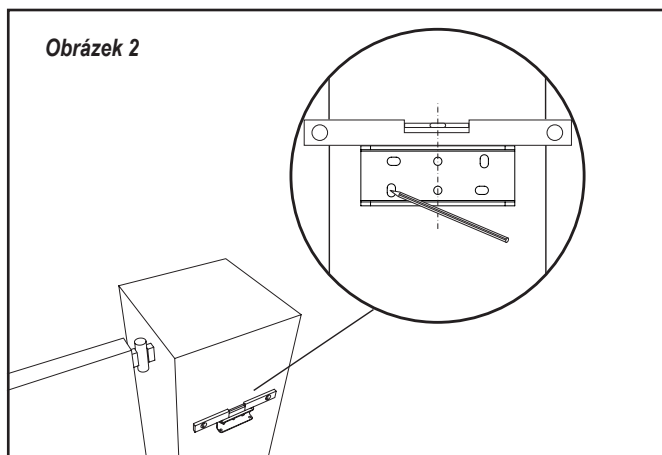
1. Připevněte rameno motoru ke středu otvírače ze spodní strany.
2. Uzávěry zajistěte šroubem a podložkou.



5. MECHANICKÁ MONTÁŽ

5.3 Montáž konzoly sloupku

1. Použijte konzolu sloupku jako šablonu, označte a vyvrtejte otvory pro konzolu sloupku.
2. Připevněte konzolu sloupku pomocí správného upevňovacího materiálu podle existující konstrukce (stavební / materiálové). Informujte se u výrobce vrat.
3. Drážky na konzole sloupku umožňují vyrovnaní. Když je konzola sloupku ve vodorovné poloze, utáhněte matice.



POZNÁMKA: Pro cihlové nebo betonové sloupky použijte správné hmoždinky a šrouby. Dodržujte správnou vzdálenost od okrajů sloupku. U kovových sloupků zohledněte tloušťku sloupku a přivařte nebo přišroubujte konzolu přímo ke sloupku. U dřevěných sloupků použijte správné šrouby a v případě potřeby použijte výztužné desky. Upozornění: Připevňené konzole se po instalaci a během provozu nesmí uvolnit

5.4 Montáž pohonu a nastavení vzdálenosti pojezdu

1. Vyrovnejte otvory na pohonu s otvory na konzole sloupku a připevněte je pomocí šroubů a matic (viz obrázek 3.a).
2. Připojte rameno k hřídeli motorové jednotky (viz obrázek 3.b). Plánujete-li montáž pevných dorazů pohonu, nemontujte zatím plastový ochranný kryt.
3. Uvolněte spojku pohonu pomocí uvolňovacího klíče (viz obrázek 4 na straně 7).
4. Přiveďte křídlo vrat do zavřené polohy.

POZNÁMKA: Systém musí fungovat s vnějšími pevnými zarážkami vrat nebo pohonu v obou směrech.

5.4.1 Montáž s vnějšími pevnými zarážkami vrat: (pevné zarážky vrat jsou již namontovány)

- a. Umístěte konzolu vrat v požadované úplně zavřené poloze, jak je znázorněno na obrázku 3.c. Dočasně jej připevněte ke křídlu vrat a spojte s ramenem pohonu s ohledem na rozměry A, B a C z tabulky 1.
- b. Ruční otevírání a zavírání vrat do požadovaných poloh. Zkontrolujte, zda se rameno pohonu nezasekává a zda se vrata pohybují plynule.
- c. Proveďte trvalé spojení konzole vrat ve zvolené správné poloze.

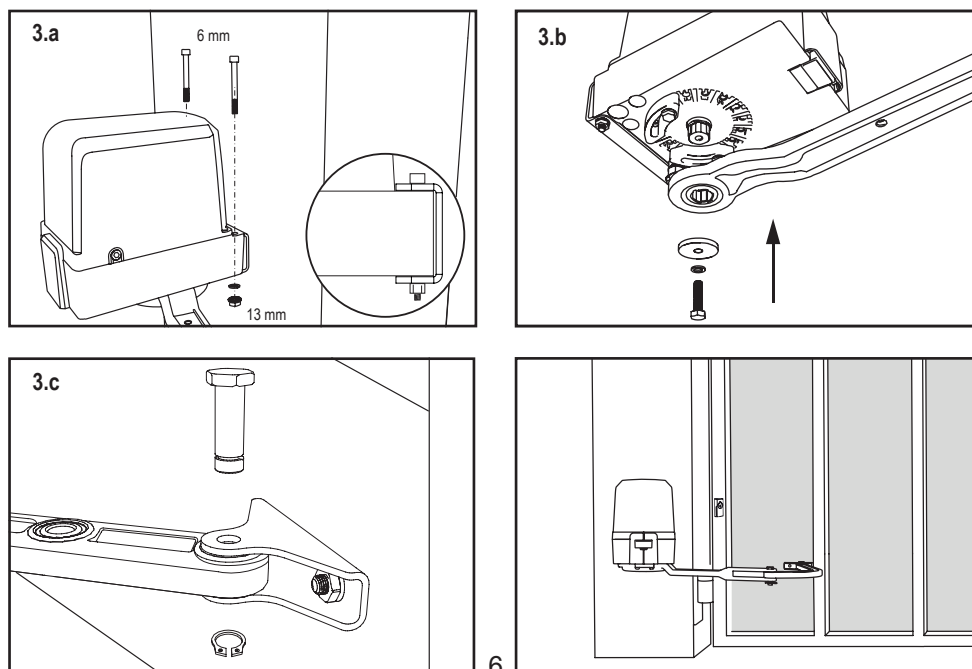
5.4.2 Instalace s pevnými dorazy pohonu: (bez namontovaných pevných dorazů vrat)

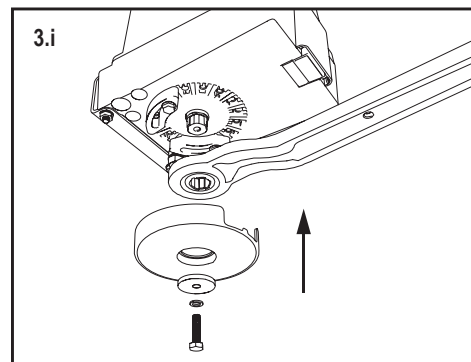
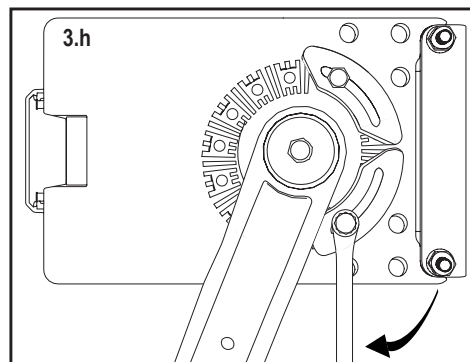
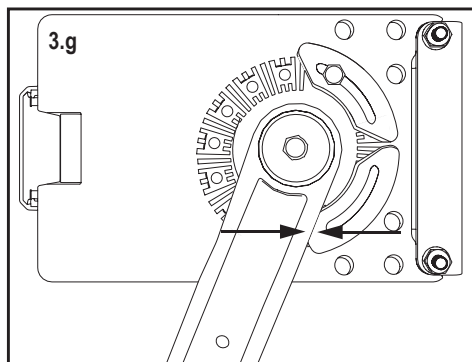
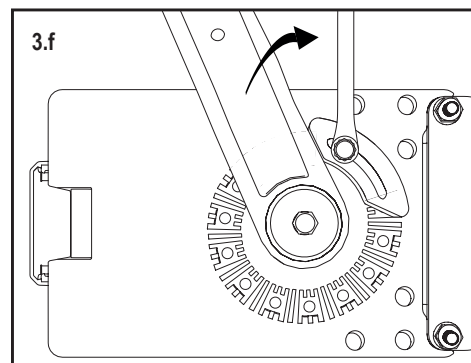
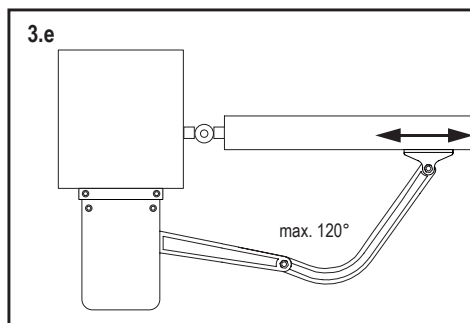
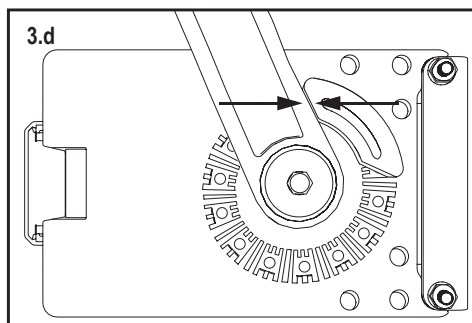
- a. Umístěte konzolu vrat v požadované úplně zavřené poloze, jak je znázorněno na obrázku 3.c. Dočasně jej připevněte ke křídlu brány (zatím neprovádějte trvalé připojení ke křídlu brány, aby bylo možné provést nastavení) a spojte jej s ramenem pohonu s ohledem na rozměry A, B a C z tabulky 1.
- b. Ruční otevírání a zavírání vrat do požadovaných poloh. Zkontrolujte, zda se rameno pohonu nezasekává a zda se vrata pohybují plynule.
- c. Upevněte pevný doraz pohonu do polohy co nejbližší k rameni (viz obrázek 3.d).
Podržte křídlo brány v požadované poloze „zavřeno“ a nastavte polohu držáku brány tak, aby rameno tlačilo na tvrdý doraz v poloze „zavřeno“ (viz obrázky 3.e a 3.f).
- d. Proveďte trvalé připojení konzole vrat ve zvolené správné poloze.
- e. Otevřete bránu do požadované polohy „otevřeno“ a upevněte pevný doraz pohonu pro polohu „otevřeno“ co nejbližší k rameni (viz obrázky 3.g a 3.h).
- f. Namontujte ochranný kryt na spodní část pohonu (viz obrázek 3.i).

4.3 Je povolena kombinace pohonu a pevných dorazů vrat. Použijte příslušné postupy nastavení, jak je popsáno výše.

5. Postup opakujte pro jednotku na opačné straně.

Obrázek 3



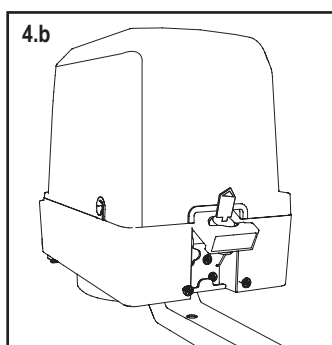
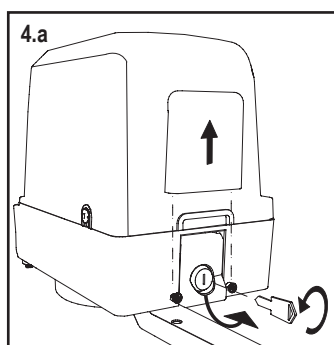


5.5 Mechanismus nouzového uvolnění

Chcete-li uvolnit uvolňovací mechanismus, sejměte plastový kryt, zasuněte klíč a otočte jím o 90°.

Vytáhněte spojku nahoru (viz obrázek 4). Chcete-li uvolňovací mechanismus znovu zapnout, zatlačte spojku dolů a otočte klíčem o 90°.

Obrázek 4



INSTALACE

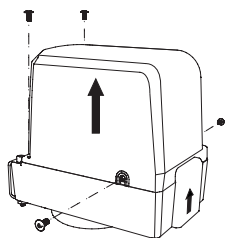
5.6 Instalace řídicí desky a zapojení motoru

Řídicí deska je již předinstalována v primární jednotce a předpřipojena ke svorkám motoru 1.

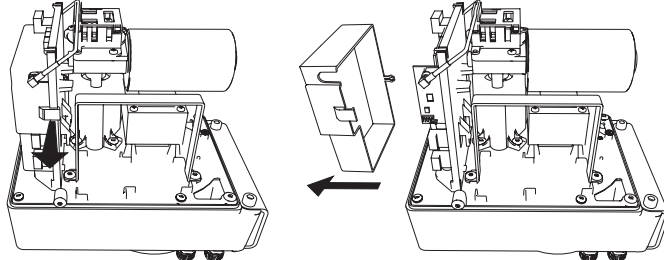
Pro přístup k řídicí desce v primární jednotce uvolněte 2 šrouby po stranách krytu a 2 šrouby na zadní straně primární jednotky (viz obrázek 5).

Svorky pro zapojení příslušenství jsou přímo přístupné. Pro přístup k programovacím tlačítkům sejměte průhledný plastový kryt a po dokončení programování jej vraťte zpět (viz obrázek 6). Sejměte kryt sekundární jednotky stejným způsobem jako u primární jednotky, abyste získali přístup ke svorce kabeláže motoru (viz obrázek 7).

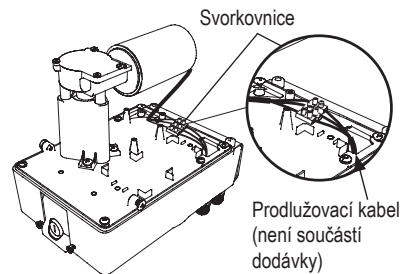
Obrázek 5 Odstranění krytu



Obrázek 6 Primární jednotka



Obrázek 7 Sekundární jednotka



Podle výchozího nastavení se primární jednotka považuje za nainstalovanou vlevo (při pohledu zevnitř ven) a sekundární jednotka vpravo. Pokud je primární jednotka nainstalována vpravo a sekundární jednotka vlevo, změňte nastavení funkcí „d1“ a „d2“.

Připojení motoru 1

POZNÁMKA: Ovladač připojený ke svorce MOTOR 1 se vždy otevírá jako první a zavírá jako poslední. To platí pro základní a pokročilá nastavení (viz část Programování).

Primární jednotka je již předpřipojena ke svorkám MOTOR 1. Pro zapojení motoru 1 nejsou nutné žádné další kroky

Připojení motoru 2

POZNÁMKA: Ovladač připojený ke svorce MOTOR 2 se vždy otevírá jako poslední a zavírá jako první.

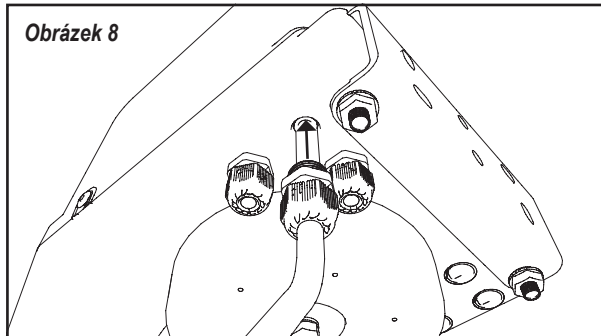
To platí pro základní a pokročilá nastavení (viz část Programování).

1. Připojte prodlužovací kabel (není součástí dodávky) ke kabelovým svorkám sekundární jednotky (viz obrázek 7).

Všimněte si barev kabelů sekundárního motoru, aby odpovídaly barvám kabelů na svorkovnici řídicí desky pro MOTOR 2.

2. Prodlužovací kabel sekundárního motoru protáhněte jednou z kabelových vývodů ve spodní části primární jednotky (viz obrázek 8). Dbejte na to, abyste používali tu stranu motoru, kde rameno nemůže při otevírání nebo zavírání přetnout kabely.
3. Připojte kabely sekundárního motoru ke svorkám MOTOR 2 takto: červený kabel ke svorce RED, zelený kabel ke svorce GRN, bílý kabel ke svorce WHT na řídicí desce.

Obrázek 8

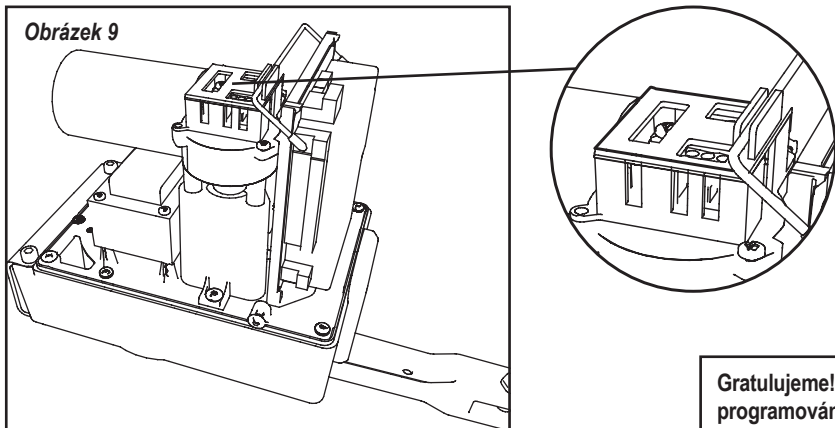


5.7 Elektrické zapojení

Síťové rozvody musí provádět certifikovaný elektrikář.

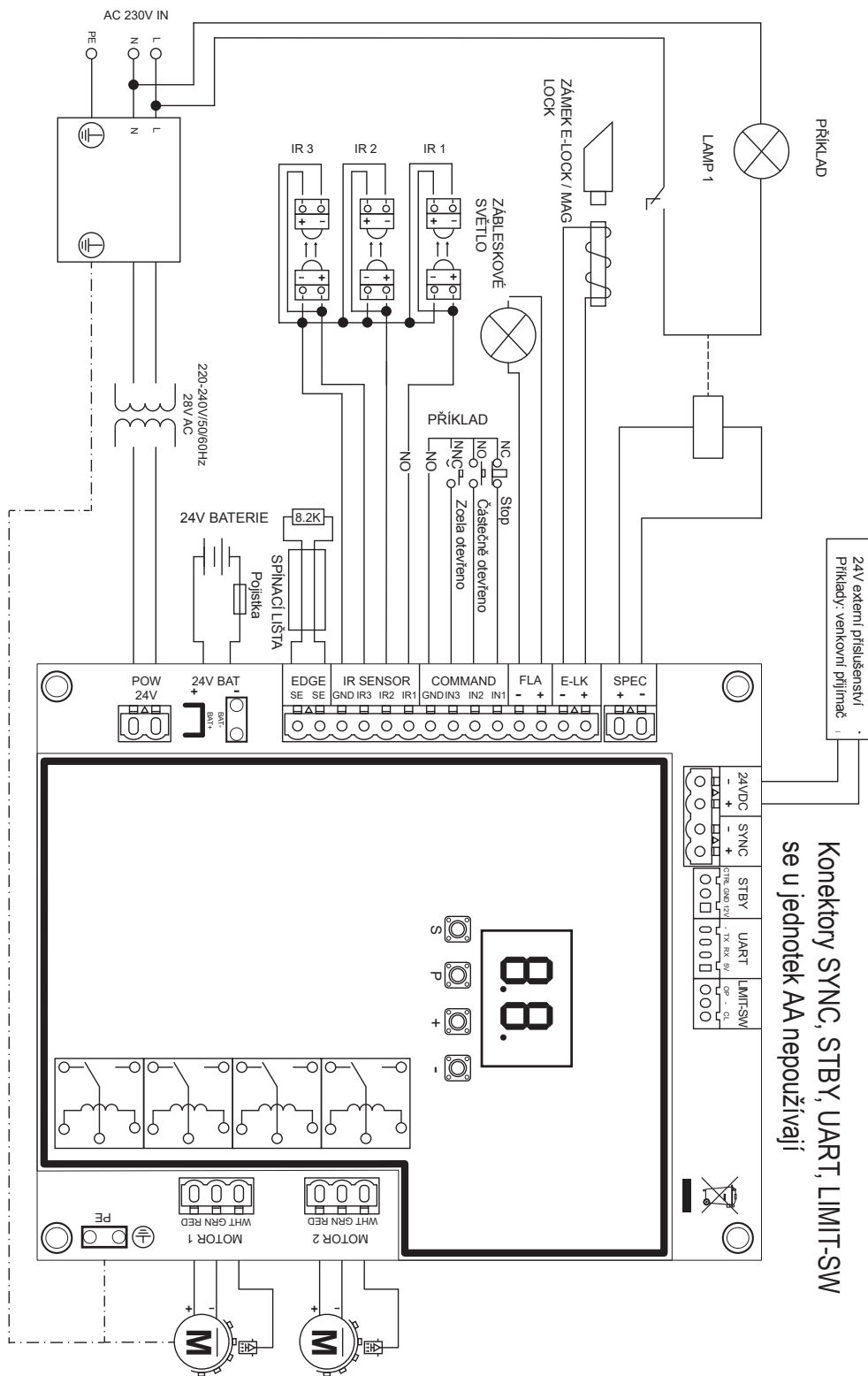


Obrázek 9



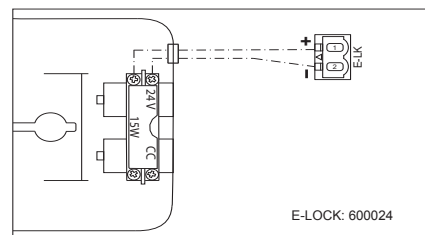
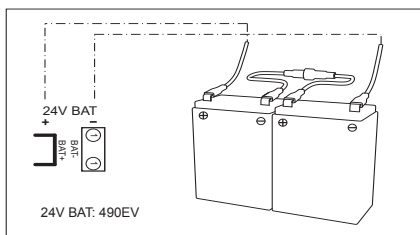
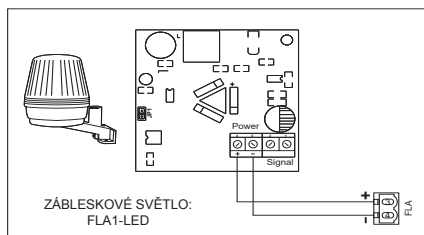
Gratulujeme! Tím je mechanická montáž pohonu vrat dokončena. Pokračujte s programováním a základním nastavením, abyste mohli zařízení uvést do provozu.

6. SCHÉMA ZAPOJENÍ



Konektory SYNC, STBY, UART, LIMIT-SW se u jednotek AA nepoužívají

24V externí příslušenství
Příklady: venkovní přijímač



7. PROGRAMOVÁNÍ

7.1 Displej, programovací tlačítka a nastavení funkcí

Funkce programovacích tlačítek (4 tlačítka):

Tlačítko	Funkce
S	naprogramování / odstranění dálkových ovladačů a specifických funkcí
P	vstup do režimu programování, výběr funkce a uložení
+/-	Procházejte nabídkou a změňte hodnotu na displeji

Funkce a naprogramované hodnoty se zobrazují na LED displeji.

Nastavení funkcí – režim programování

Po zapnutí řídicí desky se na LED displeji zobrazí následující hodnoty:

	Řídicí deska je předprogramována na příslušnou aplikaci (popis stavu viz níže v části „Aplikace“ a „Pohotovostní režim“).
	„EO“ v případě, že řídicí deska ještě nebyla naprogramována nebo resetována funkcí „Výchozí tovární nastavení“. V tomto stavu bude příkaz vstupu nebo vysílače vždy ignorován.

Tímto zahájíte programování pohonu brány.

7.2 Obecný přehled programování

Programování je rozděleno do 2 částí:

1. Základní nastavení (strana 11)
2. Pokročilé nastavení (strana 14)

Po provedení základního nastavení se během fáze učení automaticky naučí následující parametry:

1. Délka pohybu od polohy **ZCELA ZAVŘENO** do polohy **ZCELA OTEVŘENO**.
2. Otevírací a zavírací síla pro každý motor.

POZNÁMKA:

- Pro zahájení provozu je nutné dokončit fázi základního nastavení a učení.
- Po dokončení fáze učení a programování bude pohon pracovat podle výchozího nastavení.
- Pokročilá nastavení nejsou přístupná, pokud nejsou dokončena základní nastavení a fáze učení.
- **Před programováním se ujistěte, že jsou připojena příslušná bezpečnostní zařízení**

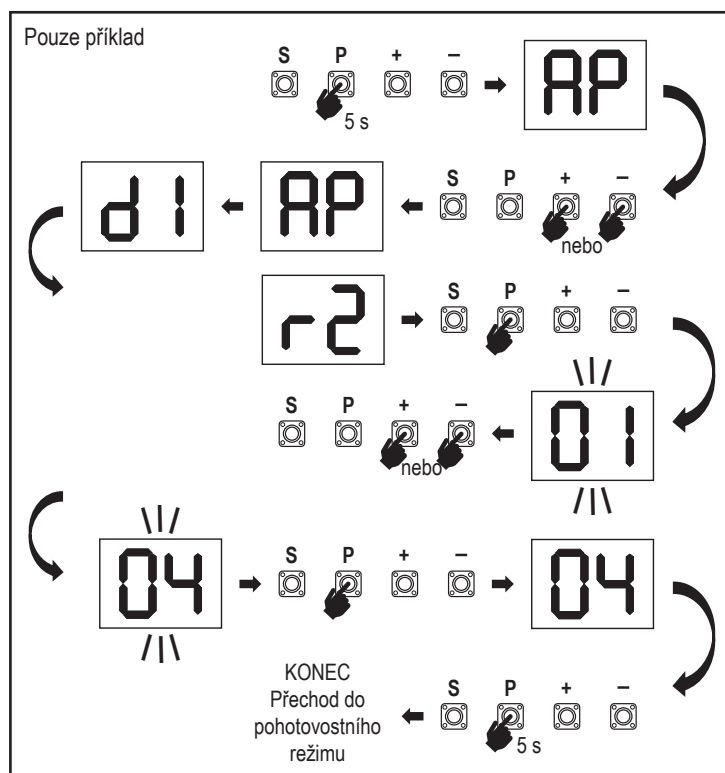
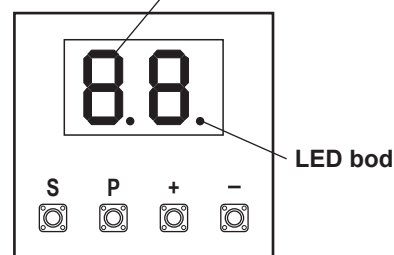
Obecné nastavení:

1. Stisknutím a podržením tlačítka „P“ na 5 sekund vstupíte do nabídky. „AP“ na displeji označuje první dostupnou funkci v menu.
2. Mezi jednotlivými funkcemi můžete přecházet pomocí tlačítek „+“ a „-“.
3. Stisknutím tlačítka „P“ vyberte požadovanou funkci.
4. Zobrazí se výchozí nastavení nebo dříve naprogramovaná hodnota. To se projeví blikáním hodnoty na displeji.
5. Pomocí tlačítek „+“ nebo „-“ vyberte požadovanou hodnotu. Stiskněte tlačítko „P“ a potvrďte výběr.
6. Naprogramovaná funkce se zobrazí na displeji.
7. Chcete-li změnit nastavení jiné funkce, zopakujte postup od bodu č. 2 do č. 6
8. Chcete-li přejít do nabídky funkcí, stiskněte na 5 sekund tlačítko „P“, poté deska přejde do pohotovostního režimu.

Pokud nestisknete tlačítko „P“ pro potvrzení nastavení nové hodnoty, nové nastavení se po 3 minutách uloží a programování ukončí nabídku a vrátí se do pohotovostního režimu.

POZNÁMKA: Pro ovládání brány nebo provedení jakéhokoli příkazu je třeba ukončit nabídku nastavení stisknutím tlačítka „P“ na 5 sekund nebo výběrem funkce FE, případně vyčkat 3 minuty pro automatické ukončení a návrat do pohotovostního režimu.

2místný displej LED



7. PROGRAMOVÁNÍ

7.3 Směr pohybu křídla

Před programováním posuňte bránu ručně do střední polohy a znovu zapněte uvolňovací mechanismus (viz strana 7).

Stiskněte a podržte tlačítko „-“ na řídicí desce a ujistěte se, že se motory pohybují ve směru **ZAVÍRÁNÍ**. Pokud je správný, okamžitě pusťte tlačítko „-“ a vrata se zastaví.

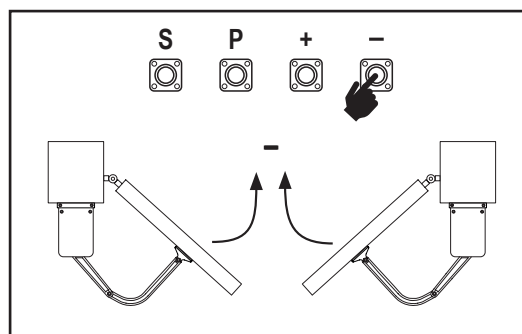
Pokud se motory pohybují ve směru **OTEVÍRÁNÍ**, přejděte na funkce „d1“ a „d2“ změňte nastavení směru.

Po správném nastavení směru **ZAVÍRÁNÍ** nechte vrata ve střední poloze. Pohon je připraven na fázi učení.

Poznámka: V případě potřeby lze vrata před konečným nastavením pohybovat pomocí tlačítek „+“ a „-“.

Stisknutím a podržením tlačítka „+“ na řídicí desce přesuňte vrata do polohy **OTEVŘENO**. Po uvolnění tlačítka se pohon zastaví.

Stisknutím a podržením tlačítka „-“ na řídicí desce přesuňte bránu do polohy **ZAVŘENO**. Po uvolnění tlačítka se pohon zastaví.



7.4 Základní nastavení

Přehled základních nastavení

LED		Funkce
		Základní nastavení (povinné)
AP	AP	Aplikace
d1	d1	Směr motoru 1
d2	d2	Směr motoru 2
LL	LL	Fáze učení koncových poloh

7.4.1 Nastavení aplikace

Funkce aplikace zobrazená na displeji.

Tato funkce je již z výroby přednastavena na hodnotu 05.



05	Křídlová vrata, dva motory pro aplikaci AA250 (výchozí)
-----------	---

Další nastavení jsou k dispozici na vyžádání:

00	Nebyla vybrána žádná aplikace
04	Křídlová vrata, jeden motor s použitím AA250

Hodnoty 01–03, 06 a 07 nejsou pro AA250 vhodné a nesmí být zvoleny.

7.4.2 Nastavení směru motoru 1



Funkce směru motoru 1 se zobrazí na displeji

Definuje směr pohybu motoru 1.

01	Motor 1 se při montáži na pravé straně pohybuje ve směru zavírání .
02	Motor 1 se pohybuje ve směru zavírání, pokud je namontován na levé straně (výchozí nastavení)

7.4.3 Nastavení směru motoru 2

Funkce směru motoru 2 se zobrazí na displeji.

Definuje směr pohybu motoru 2. Není k dispozici pro použití s jedním motorem.



01	Motor 2 se pohybuje ve směru zavírání, pokud je namontován na pravé straně (výchozí nastavení)
02	Motor 2 se pohybuje ve směru zavírání, pokud je namontován na levé straně

7.4.4 Učení koncových poloh



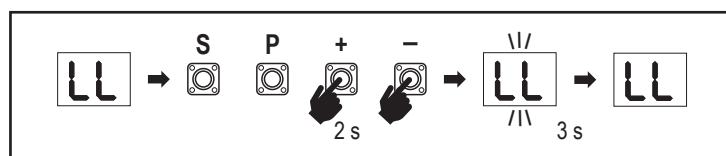
Před zahájením fáze učení se ujistěte, že:

1. Jsou dokončena ostatní základní nastavení
2. Jsou instalovány vnitřní / vnější pevné dorazy (pro křídlová vrata)
3. První pohyb bude ve směru **ZAVÍRÁNÍ**.

Dostupné metody učení:

Standardní režim učení (automatický)

1. Stiskněte a podržte tlačítka „+“ a „-“ po dobu 2 sekund.
2. Spustí se automatický proces učení. Během celého procesu bude na displeji blikat **LL**.
3. Křídlo 2 se pohybuje ve směru **ZAVÍRÁNÍ** až na pevný doraz a zastaví se.
4. Křídlo 1 se pohybuje ve směru **ZAVÍRÁNÍ**, dokud nedosáhne pevného dorazu, a zastaví se na 2 sekundy. Poté se křídlo 1 rozběhne ve směru **OTEVÍRÁNÍ**, dokud nedosáhne pevného dorazu.
5. Křídlo 2 se pohybuje ve směru **OTEVÍRÁNÍ** až na pevný doraz, zastaví se na 2 sekundy a poté se pohybuje ve směru **ZAVÍRÁNÍ** až na pevný doraz a zastaví se.
6. Křídlo 1 se pohybuje ve směru **ZAVÍRÁNÍ** až na pevný doraz a zastaví se.
7. Fáze standardního učení je ukončena. Na displeji se zobrazí **LL** a deska se po 3 sekundách vrátí do pohotovostního režimu.



POZNÁMKA: Při použití jednoho motoru se akce „Křídlo 2“ nepoužívají.

V režimu standardního učení se provádějí následující nastavení:

1. Délka pohybu od polohy **ZCELA ZAVŘENO** do polohy **ZCELA OTEVŘENO**.
2. Otevírací a zavírací síla pro každý motor.
3. Pro funkci pozvolného zastavení je určeno 15 % dráhy v obou směrech.
4. Zpoždění křídla v poloze otevírání a zavírání je 2 sekundy. Pokud potřebujete zpoždění změnit, přejděte do režimu pokročilého nastavení: Zpoždění motoru 2 (d0) a zpoždění motoru 1 (dC).

7. PROGRAMOVÁNÍ

Režim pokročilého učení (ruční nastavení polohy pozvolného zastavení)

1. Stiskněte a podržte tlačítka „+“ a „-“ po dobu 2 sekund.
2. Spustí se automatické učení. Během celého procesu bude na displeji blikat LL.
3. Křídlo 2 se pohybuje ve směru **ZAVÍRÁNÍ** až na pevný doraz a zastaví se.
4. Křídlo 1 se pohybuje ve směru **ZAVÍRÁNÍ**, dokud nedosáhne pevného dorazu, a zastaví se na 2 sekundy.
5. Křídlo 1 začíná ve směru **OTEVÍRÁNÍ** při výchozí rychlosti.
6. Chcete-li definovat začátek pozvolného zastavení pro Křídlo 1 ve směru **OTEVÍRÁNÍ**, stiskněte v požadovaném výchozím bodě tlačítko „P“. Křídlo 1 se bude nadále otevírat až na pevný doraz a zastaví se.
7. Křídlo 2 se pohybuje ve směru **OTEVÍRÁNÍ** při výchozí rychlosti.
8. Chcete-li definovat začátek pozvolného zastavení pro Křídlo 2 ve směru **OTEVÍRÁNÍ**, stiskněte v požadovaném výchozím bodě tlačítko „P“. Křídlo 2 se bude dále otevírat až do dosažení pevného dorazu, na 2 sekundy se zastaví a poté se budou pohybovat ve směru **ZAVÍRÁNÍ** při výchozí rychlosti.
9. Chcete-li definovat začátek pozvolného zastavení pro Křídlo 2 ve směru **ZAVÍRÁNÍ**, stiskněte v požadovaném výchozím bodě tlačítko „P“. Křídlo 2 se bude zavírat až na pevný doraz a zastaví se.
10. Křídlo 1 se pohybuje ve směru **ZAVÍRÁNÍ** při výchozí rychlosti.
11. Chcete-li definovat začátek pozvolného zastavení pro Křídlo 1 ve směru **ZAVÍRÁNÍ**, stiskněte v požadovaném výchozím bodě tlačítko „P“. Křídlo 1 se bude zavírat až na pevný doraz a zastaví se.
12. Fáze pokročilého učení je ukončena. Na displeji se zobrazí LL a deska se po 3 sekundách vrátí do pohotovostního režimu.

POZNÁMKA: Při použití jednoho motoru se akce „Křídlo 2“ nepoužívají.

V režimu pokročilého učení se programují následující nastavení:

1. Délka pohybu od polohy **ZCELA ZAVŘENO** do polohy **ZCELA OTEVŘENO**.
2. Otevírací a zavírací síla pro každý motor.
3. Výchozí polohy funkce pozvolného zastavení.
4. Zpoždění křídla v poloze otevírání a zavírání je 2 sekundy. Pokud potřebujete zpoždění změnit, přejděte do režimu pokročilého nastavení: Zpoždění motoru 2 (d0) a zpoždění motoru 1 (dC).

POZNÁMKA: Fázi učení zastavíte stisknutím tlačítka „S“. Proces učení se přeruší, na displeji LED začne blikat „LE“. Po 5 sekundách se na displeji zobrazí „LL“, což znamená připravenost k opětovnému spuštění fáze učení.

Pokud proces učení nebyl dokončen, je třeba jej provést znovu.

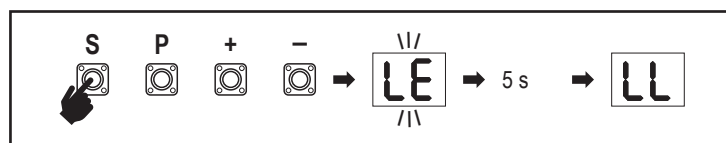
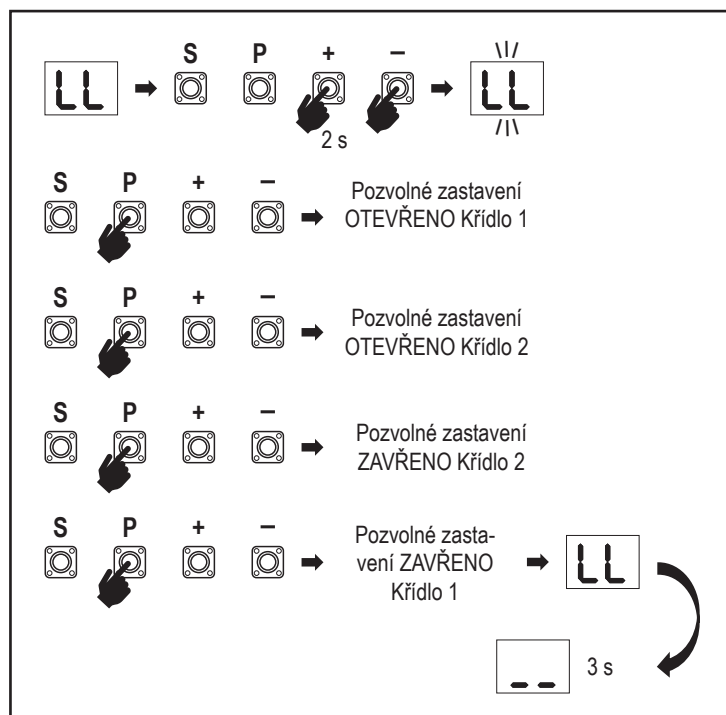
POZOR: K zahájení provozu je nutné dokončit fázi učení.

7.5 Pohotovostní režim

Po zapnutí řídicí desky a dokončení programování se displej LED na 2 sekundy zcela rozsvítí a přejde do pohotovostního režimu. V pohotovostním režimu se na displeji LED zobrazuje aktuální stav vrat.

	Dva motory (výchozí)	Jeden motor
Motor se otevírá, horní část displeje bliká.		
Motor se zastaví v poloze otevírání, horní část displeje svítí.		
Motor se zavírá, spodní část displeje bliká.		
Motor se zastaví v zavřené poloze, spodní část displeje svítí.		
Motor se zastaví uprostřed, střed displeje svítí.		

Tímto je dokončeno základní nastavení. Můžete opustit programování a ovládat vrata nebo pokračovat v pokročilých nastaveních.



7. PROGRAMOVÁNÍ

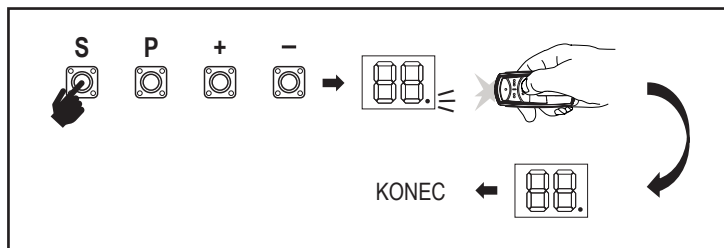
7.6 Programování a odstraňování dálkových ovladačů, rádiového příslušenství a zařízení myQ

Programování dálkových ovladačů (vysílače a bezdrátové nástěnné ovladače)

POZNÁMKA: dálkové ovladače dodávané s pohonem jsou již z výroby přednaučeny k ovládání pohonu (horní tlačítko u LED) a nevyžadují další programování.

1. Stiskněte a uvolněte tlačítko „S“. Na displeji se rozsvítí bod LED. Pohon zůstane v režimu programování rádia po dobu 3 minut. Během prvních 30 sekund lze učít libovolné rádiové zařízení. Během zbývajících 2,5 minuty lze učít pouze zařízení myQ.
2. Zvolte požadované tlačítko na vysílači a podržte je, dokud nezhasne tečka na displeji.

Chcete-li naprogramovat nový dálkový ovladač, zopakujte tuto sekvenci.
Chcete-li naprogramovat bezdrátovou klávesnici, postupujte podle příslušné příručky k příslušenství.



Programování vysílače při částečném otevření

Stiskněte a podržte současně tlačítka „S“ a „+“, dokud nezačne blikat bod LED. Stisknutím a podržením požadovaného volného tlačítka na vysílači naprogramujete režim částečného otevření.
Po dokončení programování bod LED zhasne. Pokud je ke kontaktu SPEC připojeno světlo, jednou zabliká.

Programování brány myQ (828EV):

1. Připojení

Připojte ethernetový kabel (1) dodaný s branou k routeru (2). Použijte zástrčku vhodnou pro vaši zemi (ne všechny modely). Připojte napájení (3) k internetové bráně (4). Když se internetová brána připojí k internetu, zelená kontrolka (5) přestane blikat a začne svítit trvale. K provozu myQ je nutné používat připojenou sadu IR.

2. Vytvoření účtu

Stáhněte si bezplatnou aplikaci myQ z App Store nebo Google Play Store a vytvořte si účet. Pokud již máte účet, použijte své uživatelské jméno a heslo.

3. Registrace internetové brány

Na vyzvání zadejte sériové číslo umístěné na spodní straně internetové brány.

4. Přidání zařízení myQ

Chcete-li přidat pohon vrat k registrované bráně, postupujte podle pokynů v aplikaci. Při přidávání nového pohonu vrat s funkcí myQ stiskněte a uvolněte tlačítko „S“ na řídicí desce pohonu. Na displeji řídicí desky se rozsvítí bod LED.

Poznámka: Po přidání zařízení se na internetové bráně objeví modrá kontrolka a zůstane svítit. Stisknutím tlačítka „S“ na řídicím panelu ukončíte režim programování rádia.

5. Test

Po správné montáži a registraci můžete nyní otestovat následující funkce: otevření nebo zavření brány, vyžádání stavu BRÁNA OTEVŘENA nebo BRÁNA ZAVŘENA.

Další funkce naleznete na adrese www.liftmaster.eu

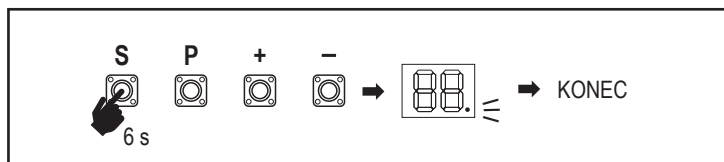
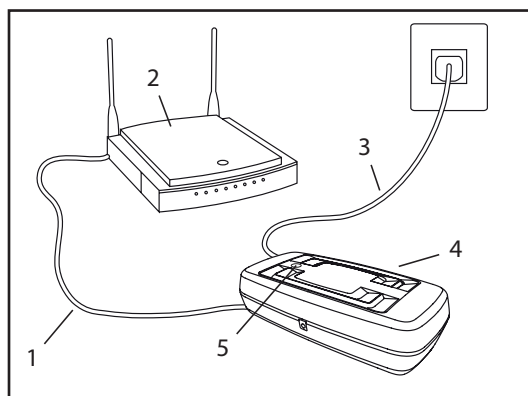
Smazání rádiových ovládacích zařízení (vysílače, bezdrátové nástěnné ovladače, bezdrátové klávesnice):

Stiskněte a podržte tlačítko „S“ po dobu > 6 sekund. Vymažou se všechna rádiová ovládací zařízení (vysílače, nástěnné ovladače, klávesnice). Bod LED na displeji se vypne. Poznámka: Rádiová řídicí zařízení nelze vymazat jednotlivě.

Vymazání zařízení myQ:

1. Nejprve vymažte zařízení dálkového ovládání, jak je uvedeno výše.
2. Během následujících 6 sekund stiskněte a podržte tlačítko „S“. Na displeji se rozsvítí bod LED.
3. Stiskněte a podržte tlačítko „S“ po dobu > 6 sekund. Všechna zařízení myQ jsou vymazána. Bod LED na displeji se vypne.

POZNÁMKA: Zařízení myQ nelze vymazat jednotlivě. Nelze vymazat pouze zařízení myQ.



7. PROGRAMOVÁNÍ

Tímto začínáte s pokročilým nastavením.

7.7 Pokročilá nastavení

LED		Funkce
	tr	Vysílač
	r1	Fotobuňka IR1
	r2	Fotobuňka IR2
	r3	Fotobuňka IR3
	i1	Příkaz Vstup 1
	i2	Příkaz Vstup 2
	i3	Příkaz Vstup 3
	Pd	Částečné otevření pouze Motor 1
	d0	Zpoždění motoru 2 ve směru OTEVÍRÁNÍ
	dC	Zpoždění motoru 1 ve směru ZAVÍRÁNÍ
	tC	Časovač zavření (ČZ)
	rt	Doba zpětného chodu po nárazu
	EL	El. zámek
	rb	Podpurný motor 1 pro el. zámek

LED		Funkce
	FL	Maják
	PF	Předblikání
	SP	Zvláštní kontakt
	St	Rychlost spuštění ve směru OTEVÍRÁNÍ a ZAVÍRÁNÍ
	Cn	Počítadlo údržby
	PS	Heslo
	F1	Síla motoru 1 v poloze OTEVŘENO (chráněno heslem)
	F2	Síla motoru 1 v poloze ZAVŘENO (chráněno heslem)
	F3	Síla motoru 2 v poloze OTEVŘENO (chráněno heslem)
	F4	Síla motoru 2 v poloze ZAVŘENO (chráněno heslem)
	S1	Rychlost motorů v poloze OTEVŘENO (chráněno heslem)
	S2	Rychlost motoru v poloze ZAVŘENO (chráněno heslem)
	SF	Rychlost pozvolného zastavení v režimu OTEVŘENO a ZAVŘENO (chráněno heslem)
	Fd	Tovární nastavení
	FE	Ukončit a odejít

7.7.2 Nastavení vysílače

Funkce vysílače definuje fungování příkazů vysílače.

Poznámka: Při nastaveních „01“, „02“ a „03“ bude časovač ČZ nahrazen příkazem vysílače a vrata ZAVŘE.

Při nastavení „04“ bude aktivní odpočítávání časovače ČZ znovu nastaveno na spuštění příkazem vysílače



	Rezidenční režim: Otevřít – Zavřít – Otevřít
	Standardní režim: Otevřít – Stop – Zavřít – Stop – Otevřít (výchozí)
	Automaticky s režimem zastavení: Otevřít – Stop – Zavřít – Otevřít
	Režim parkování: Otevřít do zcela otevřené polohy. Další příkazy během otevírání budou ignorovány

7.7.3 Nastavení infračervených fotobuněk



IR funkce definují režim fungování infračervených fotobuněk (IR).

Učení infračervených buněk proběhne automaticky po instalaci.

Každou ze 3 sad IR lze naprogramovat samostatně.



POZNÁMKA: V závislosti na zvoleném nastavení se vstupy částečného otevření nebo příkazy dálkového ovládání neprovedou ve směru OTEVÍRÁNÍ nebo ZAVÍRÁNÍ, pokud je IR paprsek zakrytý. V případě vyjmutí infračervených paprsků je třeba dvakrát vypnout/zapnout napájení řídicí desky, aby se provedlo odnaučení. Kontrolu a údržbu fotobuněk naleznete v návodu k obsluze fotobuněk.

	IR aktivní při pohybu ZAVÍRÁNÍ. Je-li infračervený paprsek zablokován, brána se vrátí do polohy úplného OTEVŘENÍ (výchozí nastavení).
	IR aktivní při pohybu OTEVÍRÁNÍ. Je-li infračervený paprsek zakrytý, vrata se zastaví. Když překážka zmizí, vrata pokračují v OTEVÍRÁNÍ.
	IR aktivní při pohybu OTEVÍRÁNÍ a ZAVÍRÁNÍ. Pokud je infračervený paprsek blokován při pohybu ZAVÍRÁNÍ, vrata se zastaví a po zmizení překážky se vrata vrátí do polohy úplného OTEVŘENÍ. Je-li infračervený paprsek zakrytý při pohybu OTEVÍRÁNÍ, vrata se zastaví. Když překážka zmizí, vrata pokračují v OTEVÍRÁNÍ.
	IR aktivní při pohybu ZAVÍRÁNÍ. Je-li infračervený paprsek zablokován, brána se vrátí do polohy úplného OTEVŘENÍ. Aktivovaná funkce ČZ se 2 sekundy po odstranění překážky v paprsku přepíše a zahájí pohyb ZAVÍRÁNÍ aniž by se čekalo na konec ČZ.

7.7.4 Nastavení vstupů



Funkce vstupy definuje způsob provádění vstupních příkazů z externího příslušenství. Každý ze 3 vstupů lze naprogramovat samostatně.

POZNÁMKA: Při nastaveních „01“, „02“ a „03“ bude časovač ČZ nahrazen vstupním příkazem a vrata ZAVŘE. Při nastavení „06“ bude aktivní odpočítávání časovače ČZ znovu nastaveno na spuštění vstupním příkazem

7. PROGRAMOVÁNÍ

01	Otevřít – Zavřít – Otevřít
02	Otevřít – Stop – Zavřít – Stop – Otevřít (výchozí)
03	Otevřít – Stop – Zavřít – Otevřít
04	Pouze částečné otevření Motor 1
05	STOP (NC kontakt)
06	Otevřít do zcela OTEVŘENÉ polohy. Další příkazy k otevírání budou během otevírání ignorovány
07	Zavřít do zcela ZAVŘENÉ polohy. Další příkazy k zavírání budou během zavírání ignorovány
08	Otevřít – Stop – Otevřít – Stop
09	Zavřít – Stop – Zavřít – Stop
10	Otevřít, vyžaduje se nepřetržitě ruční ovládání
11	Zavřít, vyžaduje se nepřetržitě ruční ovládání

7.7.5 Částečné otevření Motor 1

Pd

Částečné otevření motoru 1 umožňuje otevřít aktivní křídlo pouze na předem nastavenou hodnotu.

POZNÁMKA: Příkaz Pd bude fungovat od polohy Mez zavírání a během zavíracího pohybu. Pokud je příkaz Pd proveden z polohy zcela OTEVŘENO, vrata se zavřou.

Příkaz Otevřít nebo Vysílač bude mít vždy přednost před příkazem Pd.

01	50% otevírací dráha
02	75% otevírací dráha (výchozí nastavení)
03	100% otevírací dráha

1. Stiskněte a podržte současně tlačítka „S“ a „+“, dokud nezačne blikat bod LED.
2. Stisknutím a podržením požadovaného volného tlačítka na vysílači naprogramujete režim částečného otevření.
3. Po dokončení programování bod LED zhasne. Pokud je ke kontaktu SPEC připojeno světlo, jednou zabliká.

7.7.6 Zpoždění motoru 2 ve směru otevírání

JO

Funkce zpoždění motoru 2 ve směru OTEVÍRÁNÍ definuje časové zpoždění motoru 2 ve směru OTEVÍRÁNÍ. Není k dispozici pro použití s jediným motorem. Neprovádí se během zpětného chodu nebo po přerušení IR paprsku v obou směrech.

00	bez zpoždění (obě křídla se začnou otevírat zároveň)
01	1 sekunda
02	2 sekundy (výchozí)
03	3 sekund
04	4 sekund

7.7.7 Zpoždění motoru 1 ve směru zavírání

dc

Funkce zpoždění motoru 1 ve směru ZAVÍRÁNÍ definuje časové zpoždění motoru 1 ve směru ZAVÍRÁNÍ. Není k dispozici pro použití s jediným motorem. Neprovádí se během zpětného chodu nebo po přerušení IR paprsku v obou směrech.

00	bez zpoždění (obě křídla se spustí zároveň)
01	1 sekunda
02	2 sekundy (výchozí)
...	... sekund
20	20 sekund

7.7.8 Časovač zavření

tc

Funkce ČZ (časovač zavření) umožňuje automatické zavření vrat z polohy OTEVŘENO po uplynutí předem nastavené doby. K provozu ČZ je třeba nainstalovat minimálně jeden pár infračervených fotobuněk (IR) LiftMaster, které monitorují pohyb zavírání. ČZ nebude fungovat, pokud IR chrání pouze pohyb otevírání. TTC bude fungovat i s aktivovaným částečným otevřením. Je-li funkce ČZ aktivní, časovač odpočítává čas a IR paprsky jsou přerušeny, časovač ČZ se znovu spustí.

00	ČZ není aktivní (výchozí)	05	1 minuta
01	10 sekund	06	1,5 minuty
02	20 sekund	07	2 minuty
03	30 sekund	08	3 minuty
04	45 sekund	09	5 minuty

9.7.7 Doba zpětného chodu po nárazu

rt

Funkce doby zpětného chodu po nárazu definuje chování při couvání v důsledku překážky během zavírání nebo otevírání. Toto chování při reverzaci platí jak pro detekci síly motoru, tak pro použití spínací lišty.

01	2 sekundy zpětný chod a Stop
02	Návrat zpět do koncové mezní polohy (výchozí)
03	Při zavírání se vrata po nárazu vrátí do polohy Otevřeno. Při otevírání se vrata po nárazu na 2 sekundy přepnou na zpětný chod a zastaví

7.7.10 Nastavení elektrického/magnetického zámku

EL

Funkce E-Lock definuje chování elektrického / magnetického zámku. Lze připojit 24VDC - 500mA elektrický nebo magnetický zámek.

00	elektrický / magnetický zámek není nainstalován (výchozí)
01	elektrický zámek aktivní 1 sekundu před spuštěním motoru 1 ve směru otevírání
02	elektrický zámek aktivní 2 sekundy před spuštěním motoru 1 ve směru otevírání
03	Magnetický zámek, trvale aktivní při ZAVŘENÝCH vratech; trvale neaktivní při pohybu OTEVÍRÁNÍ a ZAVÍRÁNÍ, při poloze brány OTEVŘENO nebo STOP. Magnetický zámek se v režimu záložní baterie deaktivuje.

7. PROGRAMOVÁNÍ

7.7.10a Podpůrný motor 1 pro el. zámek



Podpůrný motor 1 pro funkci el. zámku umožňuje před zapnutím elektrického zámku krátce zatlačit motor 1 ve směru ZAVÍRÁNÍ, aby se uvolnil nadměrný tlak na elektrický zámek.

Není k dispozici, pokud je funkce EL nastavena na „00“ nebo „03“ (el. zámek není připojen / mag. zámek je připojen).

00	deaktivováno (výchozí)
01	1 sekunda aktivováno
02	2 sekundy aktivováno

7.7.11 Nastavení majáku



Funkce majáku umožňuje vybrat typ připojeného zábleskového světla. Lze připojit zábleskové světlo 24 V DC - max. 500 mA (FLA1-LED).

00	není nainstalováno žádné zábleskové světlo (výchozí nastavení)
01	trvalé napájení 24 V – pro zábleskové světlo s vlastní řídicí deskou (FLA1-LED)
02	přerušené napájení 24 V – pro zábleskové světlo bez vlastní řídicí desky

7.7.11a Předblikání



Funkce předblikání definuje časový interval předblikání zábleskového světla před pohybem vrat. Funkce není aktivní, pokud je funkce zábleskového světla (ZS) nastavena na „00“.

00	bez předblikání (výchozí)	03	3 sekund
01	1 sekunda	04	4 sekund
02	2 sekund	05	5 sekund

7.7.15 Funkce a nastavení chráněné heslem

7.7.15a Nastavení hesla



Před provedením změn u funkcí chráněných heslem, jako jsou Síla a Rychlost, je nutné dokončit fázi učení a nastavit Heslo. Pro naprogramování hesla zvolte funkci „PS“.

POZNÁMKA: „00“ nelze použít jako heslo. Používá se pouze jako výchozí nastavení. Funkce chráněné heslem nejsou přístupné, pokud není nastaveno nové heslo. Po nastavení bude pro změnu chráněných funkcí vyžadováno heslo.

Nastavení nového hesla:

1. Vyberte funkci „PS“ a stiskněte tlačítko „P“.
2. Na displeji bliká „00“.
3. Pomocí tlačítek „+“ a „-“ nastavte nové heslo.
4. Stiskněte tlačítko „P“.
5. Nově nastavená hodnota hesla zůstane na displeji po dobu 2 sekund. Poté se zobrazení změní na „PS“.

Heslo si prosím uložte na místo, kde jej později naleznete.

7.7.12 Nastavení zvláštního kontaktu



Funkce zvláštního kontaktu definuje dobu aktivace relé.

K ovládání dalších zařízení, např. kontrolního světla, lze připojit 24V max. 500mA relé. Zde nastavený čas bude také řídit odpočítávání dálkového osvětlení myQ.

00	bez aktivace (výchozí)	05	1,5 minuty
01	15 sekund	06	2 minuty
02	30 sekund	07	3 minuty
03	45 sekund	08	4 minuty
04	1 minuta	09	5 minuty

7.7.13 Rychlost spuštění v otevřeném a zavřeném směru



Funkce Rozběhová rychlost umožňuje zapnutí a vypnutí funkce Soft-Start ve směru OTEVÍRÁNÍ a ZAVÍRÁNÍ.

00	deaktivováno (výchozí)
01	Pozvolné spuštění aktivní: motor bude postupně zrychlovat, dokud nedosáhne standardních otáček.
02	Tvrdé spuštění aktivní: motory se rozběhnou běžnou rychlostí a první sekundu nebude brán v úvahu snímač síly.

7.7.14 Počítadlo údržby



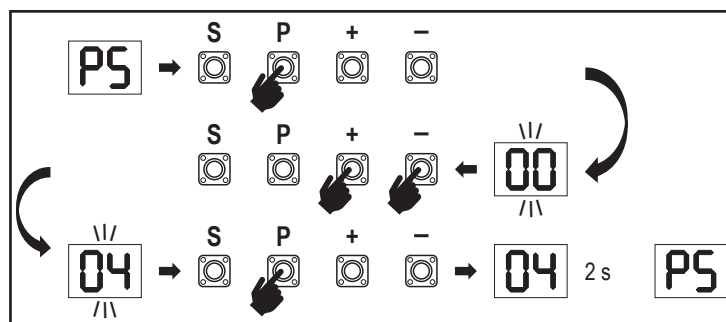
Funkce počítadla údržby umožňuje nastavit interval údržby v cyklech. Dosažení intervalu signalizuje 4sekundové předblikávání zábleskového světla. Pokud je aktivní funkce PB (předblikání), k nastavenému času se přidá 4sekundové předblikání. Pro resetování počítadla po provedení údržby stačí cyklus naprogramovat ještě jednou.

00	bez počítadla (výchozí) cyklů
01	1000 cyklů	20	20000 cyklů
02	2000 cyklů		

POZOR

Jakékoli změny provedené v heslem chráněných funkcích (síla a rychlost) vyžadují ověření rychlosti a síly podle EN 12453, EN 60335-2-103.

00	Není vybráno žádné heslo (výchozí)
01 → 02 → → 99	Dostupný výběr



7. PROGRAMOVÁNÍ

7.7.15b Používání hesla

1. Vyberte funkci „PS“ a stiskněte tlačítko „P“.
2. Na displeji bliká „00“.
3. Pomocí tlačítek „+“ a „-“ zadejte správné heslo a stiskněte tlačítko „P“ pro potvrzení.
4. Je-li zadáno správné heslo, zobrazí se na displeji na 2 sekundy hodnota a změní se na „PS“.
5. Vyberte chráněnou funkci, kterou chcete nastavit.

POZNÁMKA: Pokud zadané heslo není správné, bude po dobu 5 sekund blikat „00“ a poté se změní na „PS“. Pro přístup k chráněným funkcím použijte správné heslo.

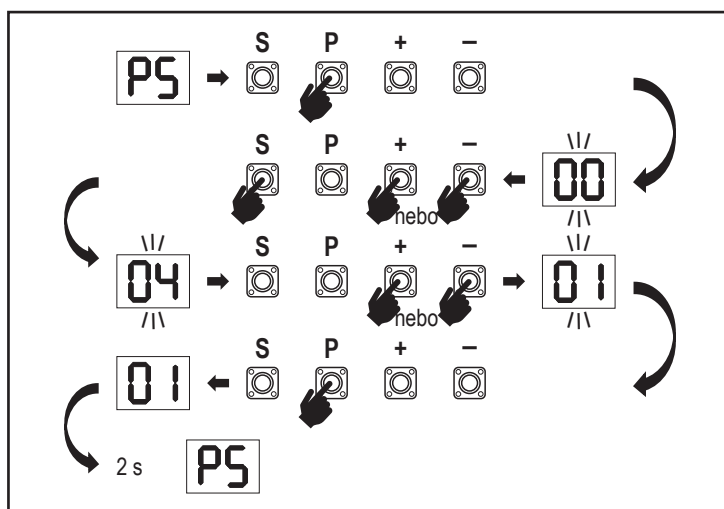
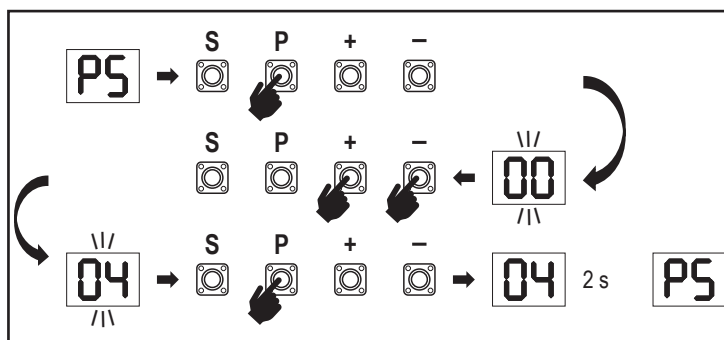
Pozor: Heslem chráněná pokročilá nastavení může provádět pouze vyškolený odborník. Musí být splněny požadavky EU: EN 12453, EN 13241; GB (UK, NI): BS EN 12453, BS EN 13241.

7.7.15c Změna hesla

1. Vyberte funkci „PS“ a stiskněte tlačítko „P“.
2. Na displeji bliká „00“.
3. Pomocí tlačítek „+“ či „-“ zadejte aktuální heslo a stiskněte tlačítko „S“ pro potvrzení. Hodnota začne blikat.
4. Pomocí tlačítek „+“ či „-“ zadejte NOVÉ heslo a stiskněte tlačítko „P“.
5. Změněné heslo zůstane na displeji po dobu 2 sekund. Poté se zobrazení změní na „PS“.

POZNÁMKA: Pokud bylo zadáno špatné (aktuální) heslo, „00“ bude 5 sekund blikat a změní se na „PS“. Heslo se nemění.

Pokud dojde ke ztrátě hesla, použijte funkci továrního nastavení (Fd) pro návrat do výchozího nastavení. Budou vymazána všechna nastavení (kromě paměti rádia). Viz strana 18.



7.7.15d Síla motorů 1 a 2 ve směru otevírání a zavírání

F1

Síla motoru 1 ve směru OTEVÍRÁNÍ

Síla motoru 1 ve směru OTEVÍRÁNÍ umožňuje nastavení síly kromě síly nastavené během fáze učení. Pro přístup k této funkci je nutné zadat heslo.

00	Standardní síla (výchozí)	02	+30 %
01	+15 %	03	+50 %

Síla motoru 1 ve směru ZAVÍRÁNÍ

F2

Síla motoru 1 ve směru ZAVÍRÁNÍ umožňuje nastavení síly kromě síly nastavené během fáze učení. Pro přístup k této funkci je nutné zadat heslo.

00	Standardní síla (výchozí)	02	+30 %
01	+15 %	03	+50 %

Síla motoru 2 ve směru OTEVÍRÁNÍ

F3

Síla motoru 2 ve směru OTEVÍRÁNÍ umožňuje nastavení síly kromě síly nastavené během fáze učení. Pro přístup k této funkci je nutné zadat heslo.

00	Standardní síla (výchozí)	02	+30 %
01	+15 %	03	+50 %

Síla motoru 2 ve směru ZAVÍRÁNÍ

F4

Síla motoru 2 ve směru ZAVÍRÁNÍ umožňuje nastavení síly kromě síly nastavené během fáze učení. Pro přístup k této funkci je nutné zadat heslo.

00	Standardní síla (výchozí)	02	+30 %
01	+15 %	03	+50 %

7.7.15e Rychlost motorů 1 a 2 ve směru otevírání a zavírání

S1

Rychlost motorů 1 a 2 ve směru OTEVÍRÁNÍ

Rychlost motorů 1 a 2 ve směru OTEVÍRÁNÍ umožňuje nastavení rychlosti otevírání v porovnání s otáčkami nastavenými ve fázi učení. Pro přístup k této funkci je nutné zadat heslo.

00	Standardní rychlost (výchozí)	04	+50 %
01	+10 %	05	-10 %
02	+20 %	06	-20 %
03	+30 %		

7. PROGRAMOVÁNÍ

Rychlost motorů 1 a 2 ve směru ZAVÍRÁNÍ

S2

Rychlost motorů 1 a 2 ve směru směru ZAVÍRÁNÍ umožňují nastavení rychlosti zavírání porovnání s otáčkami nastavenými ve fázi učení. Pro přístup k této funkci je nutné zadat heslo.

00	Standardní rychlost (výchozí)	04	+50 %
01	+10 %	05	-10 %
02	+20 %	06	-20 %
03	+30 %		

7.7.15f Rychlost pozvolného zastavení

SF

Funkce pozvolného zastavení umožňuje nastavit rychlost pozvolného zastavení oproti výchozím hodnotám nastaveným ve fázi učení. Rychlost pozvolného zastavení je 50 % standardní rychlosti podle výchozího nastavení. Změna standardní rychlosti má vliv na rychlost pozvolného zastavení.

Pro přístup k této funkci je nutné zadat heslo.

00	Standardní rychlost (výchozí)	04	-50 %
01	-10 %	05	+10 %
02	-20 %	06	+20 %
03	-30 %		

7.8 Tovární nastavení

Fd

Funkce továrního nastavení resetuje řídicí desku na původní tovární nastavení. Všechna nastavení, včetně nastavení limitů, budou vymazána. Na displeji LED se zobrazí „E0“. Naprogramované dálkové ovladače zůstanou naučené. Pokud je třeba vymazat příslušenství dálkového ovládání, nahlédněte do příslušné části této příručky věnované programování rádiových ovladačů.

00	žádný reset (výchozí)
01	obnovení výchozího továrního nastavení

7.9 Ukončit a odejít

FE

Ukončení fáze programování a uložení všech změn, Vyberte funkci FE stiskněte tlačítko „P“. Řídicí deska přejde do pohotovostního režimu a je připravena k fungování.

Existují také další způsoby ukončení programování a uložení nastavení:

- Stiskněte a podržte tlačítko „P“ po dobu 5 sekund
- Po posledních změnách v programování vyčkejte 3 minuty pro automatické ukončení.

8. ZÁLOŽNÍ BATERIE

Režim záložní baterie

BU

2 Volitelné olověné baterie 12 V, 2,2Ah SKU 490EV (volitelné, nejsou součástí dodávky) lze namontovat do E-Boxu. Přesný postup instalace naleznete v návodu k obsluze SKU 490EV. Zábleskové světlo (je-li namontované) každých 10 minut na 2 sekundy zabliká, což signalizuje režim BBU a ztrátu napájení. Řídicí deska se přepne do pohotovostního režimu s aktivním rádiovým přijímačem, který přijímá pouze příkazy rádiového řídicího zařízení. Ostatní příslušenství a periferní zařízení nebudou funkční. V režimu zálohování baterie budou ovládání smartphonu myQ a bezdrátová zařízení myQ vypnuta. Plně nabitá baterie musí zvládnout až ~20 cyklů rychlosti 2 za hodinu. Po 24 hodinách režimu BBU musí baterie zajistit napájení pro 1 úplný cyklus otevření a zavření. Upozorňujeme, že lze použít pouze uvedenou baterii. Použití jakékoli jiné baterie vede ke ztrátě záruky a ztrátě odpovědnosti společnosti LiftMaster za jakékoli související škody vzniklé v důsledku použití nespecifikovaných baterií.

9. CHYBOVÉ KÓDY

LED	Chybový kód	Problém	Možný důvod	Řešení
E0	E0	Stisknutý vysílač, ale vrata se nepohybují	AP nastaveno na 00	Zkontrolujte, zda je AP nastaveno na 00. Pokud ano, změňte nastavení aplikace na správné.
E1	E1	Vrata se nezavírají, ale mohou se otevřít.	1) IR1 není připojen nebo je přerušen vodič. 2) Vodič IR1 je zkratovaný nebo zapojený obráceně. 3) IR1 není na okamžik v jedné linii nebo je blokováno.	1) Zkontrolujte, zda je připojen IR1 nebo zda není přerušen vodič. 2) Zkontrolujte připojení IR1, v případě potřeby vyměňte vodiče. 3) Srovnajte IR vysílač a přijímač a ujistěte se, že obě LED diody svítí a neblíkají. Ujistěte se, že na vratech nevisí nic, co by mohlo způsobit blokování infračerveného záření.
E2	E2	Vrata se mohou zavřít, když jsou v koncové poloze otevření, ale nemohou se otevřít, když jsou v koncové poloze zavření.	1) IR2 není připojen nebo je přerušen vodič. 2) Vodič IR2 je zkratovaný nebo zapojený obráceně. 3) IR2 není na okamžik v jedné linii nebo je blokováno.	1) Zkontrolujte, zda je připojen IR2 nebo zda není přerušen vodič. 2) Zkontrolujte připojení IR2, v případě potřeby vyměňte vodiče. 3) Srovnajte IR vysílač a přijímač a ujistěte se, že obě LED diody svítí a neblíkají. Ujistěte se, že IR nic nepřekáží.
E3	E3	Stisknutý vysílač, ale vrata se nepohybují.	1) IR3 není připojen nebo je přerušen vodič. 2) Vodič IR3 je zkratovaný nebo zapojený obráceně. 3) IR3 není na okamžik v jedné linii nebo je blokováno.	1) Zkontrolujte, zda je připojen IR3 nebo zda není přerušen vodič. 2) Zkontrolujte připojení IR3, v případě potřeby vyměňte vodiče. 3) Srovnajte IR vysílač a přijímač a ujistěte se, že obě LED diody svítí a neblíkají. Ujistěte se, že na vratech nevisí nic, co by mohlo způsobit krátké blokování IR paprsku.
E4	E4	Stisknutý vysílač, ale vrata se nepohybují.	1) Spínací lišta není spojena s rezistorem 8,2 kOhm. 2) Je zkratován vodič spínací lišty. 3) Spínací lišta je stisknutá.	1) Zkontrolujte, zda je správně připojena spínací lišta 8,2 kOhm nebo zda je nainstalován rezistor 8,2 kOhm. 2) Zkontrolujte vodiče spínací lišty a v případě potřeby je vyměňte. 3) Zkontrolujte, zda je spínací lišta stisknutá.

9. CHYBOVÉ KÓDY

LED	Chybový kód	Problém	Možný důvod	Řešení
E5	E5	Stisknutý vysílač, ale vrata se nepohybují.	1) Spínač STOP je otevřený.	1) Zkontrolujte, zda není spínač STOP otevřený nebo poškozený.
			2) Spínač STOP není připojen.	2) Zkontrolujte, zda není spínač STOP odpojen. Pokud ano, znovu připojte spínač STOP nebo změňte nastavení příslušného vstupu na jinou hodnotu.
E7	E7	Stisknutý vysílač, ale vrata se nepohybují.	Selhání zesilovače řídicí desky pro motor 1.	Vypněte napájení na 20 sekund a proveďte reset, abyste zkontrolovali, zda se řídicí deska obnoví. Pokud ne, vyměňte řídicí desku.
E8	E8	Stisknutý vysílač, ale vrata se nepohybují.	Selhání zesilovače řídicí desky pro motor 2.	Vypněte napájení na 20 sekund a proveďte reset, abyste zkontrolovali, zda se řídicí deska obnoví. Pokud ne, vyměňte řídicí desku.
E9	E9	Stisknutý vysílač, ale vrata se nepohybují.	Chyba paměti řídicí desky.	Vypněte napájení na 20 sekund a proveďte reset, abyste zkontrolovali, zda se řídicí deska obnoví. Pokud ne, vyměňte řídicí desku.
F1	F1	Zastavení a reverzace motoru 1 během otevírání nebo zavírání.	Motor 1 je zablokovaný.	Zkontrolujte a odstraňte překážku. Vyčistěte vrata.
F2	F2	Zastavení a reverzace motoru 2 během otevírání nebo zavírání.	Motor 2 je zablokovaný.	Zkontrolujte a odstraňte překážku. Vyčistěte vrata.
F3	F3	Zastavení a reverzace motoru 1 během otevírání nebo zavírání.	Motor 1 se zastavil nebo je poškozený snímač otáček.	Zkontrolujte, zda se motor 1 nezastavil nebo zda není poškozen snímač otáček.
F4	F4	Zastavení a reverzace motoru 2 během otevírání nebo zavírání.	Motor 2 se zastavil nebo je poškozený snímač otáček.	Zkontrolujte, zda se motor 2 nezastavil nebo zda není poškozen snímač otáček.
F5	F5	Vysílač stisknutý, ale motor není v chodu.	Selhání rádiového modulu.	Vypněte napájení na 20 sekund a proveďte reset, abyste zkontrolovali, zda se řídicí deska obnoví. Pokud ne, vyměňte řídicí desku.
F6	F6	Reverzace vrat při zavírání.	Nízký stav nabití baterie.	Nabijte baterii.
F7	F7	Stisknutý vysílač, ale vrata se nepohybují.	Poškozená řídicí deska.	Vypněte napájení na 20 sekund a proveďte reset, abyste zkontrolovali, zda se řídicí deska obnoví. Pokud ne, vyměňte řídicí desku.
F9	F9	Vysílač nebo tlačítko stisknuto, ale motor není v chodu.	Nabídka AP je resetována na tovární nastavení.	Proveďte opětovné učení koncových poloh.
LE	LE	Motor se náhle zastaví.	Během učení koncových poloh stiskněte tlačítko C.	Proveďte opětovné učení koncových poloh.

10. TECHNICKÉ ÚDAJE

		AA250EVK			AA250EVK
Vstupní napětí	VAC	220–240	Napájení externího příslušenství		24 VDC – max. 500 mA
Vstupní frekvence	Hz	50/60	Konektor světelného zdroje		24 VDC – max. 500 mA
Napětí motoru	VDC	24 V	Konektor e-zámku / magnetického zámku		24 VDC – max. 500 mA
„Spotřeba v pohotovostním režimu (bez příslušenství)“	W	3,2	Externí relé		24 VDC – max. 500 mA
Jmenovitý výkon motoru	W	100W (AA250-24P) 50W (AA250-24S)	Bezpečnostní okraj		8,2 kOhm
Jmenovité zatížení	Nm	72,4	Max. počet IR		3
Max. točivý moment	Nm	200	Max. počet externích vstupů		3
Cykly za hodinu		10	Záložní bateriová jednotka		2 x 12V, 2,2Ah baterie model 490EV
Max. počet cyklů za den		30	Ochrana motoru před vniknutím cizích těles	IP	44
Max. šířka / hmotnost křídla	m / kg	1,5 m / 250 kg 2,0 m / 200 kg 2,5 m / 150 kg	Hladina hluku	dB	< 70 db(A)
			Pracovní teplota	°C	-20 °C až +55 °C
Max. úhel otevření		120°	Hmotnost (sada)	kg	20
Doba do otevření na 90°	s	13–15	Frekvence vysílače	TX4EVF	868 MHz (868,30 MHz, 868,95 MHz, 869,85 MHz)
Systém koncových poloh		Kodér s pevnými dorazy	Výsilací výkon		<10 mW
Provozní rádiová frekvence	MHz	RX 433 MHz (433,30 MHz, 433,92 MHz, 434,54 MHz) RX 868 MHz (868,30 MHz, 868,95 MHz, 869,85 MHz) TX 865,125 MHz, 865,829 MHz, 866,587 MHz <10 mW	Baterie		CR2032 3V
Výsilací výkon					
Kód		Security+ 2.0			
Max. počet dálkových ovladačů		180			
Max. počet klávesnic		4			
Max. počet zařízení myQ		16			

11. ÚDRŽBA

Výměna baterií v dálkovém ovladači

Baterie dálkového ovladače

Baterie v dálkovém ovladači mají extrémně dlouhou životnost. Pokud se vysílací dosah sníží, je třeba baterie vyměnit. Na baterie se nevztahuje záruka.

Dodržujte prosím následující pokyny pro baterie:

S bateriemi by se nemělo zacházet jako s domovním odpadem. Všichni spotřebitelé jsou ze zákona povinni řádně likvidovat baterie na k tomu určených sběrných místech. Nikdy nenabíjejte baterie, které nejsou určeny k nabíjení.

Nebezpečí výbuchu!

Baterie uchovávejte mimo dosah dětí, nezkratujte je a nerozebírejte. V případě spolknutí baterie okamžitě vyhledejte lékařskou pomoc. V případě potřeby před vložením očistěte kontakty baterie a zařízení. Vybité baterie ze zařízení okamžitě vyjměte!

Zvýšené riziko vytečení!

Baterie nikdy nevystavujte nadměrnému teplu, například slunečnímu záření, ohni a podobně!

Existuje zvýšené riziko vytečení!

Zamezte kontaktu s kůží, očima a ústy. Místa zasažená kyselinou z baterie oplachujte velkým množstvím studené vody a bezodkladně vyhledejte lékařskou pomoc.

Používejte pouze baterie stejného typu. Pokud zařízení nebudete delší dobu používat, vyjměte baterie.

Výměna baterie:

Chcete-li vyměnit baterii, otočte dálkový ovladač a otevřete pouzdro šroubovákem. Zvedněte kryt a nadzvedněte ovládací desku pod ním. Posuňte baterii na jednu stranu a vyjměte ji. Dávejte pozor na polaritu baterie! Sestavení proveďte opačným postupem.

POZOR!

V případě nesprávné výměny baterie hrozí nebezpečí výbuchu. Vyměňujte pouze za stejný nebo ekvivalentní typ (CR2032) 3V.

POZOR

Nebezpečí výbuchu při výměně baterie za nesprávný typ.

Nepolykejte baterii, nebezpečí chemického popálení.

Tento výrobek obsahuje knoflíkovou baterii. Knoflíkové baterie mohou v případě spolknutí způsobit zranění nebo smrt.

VAROVÁNÍ

- Baterie uchovávejte mimo dohled a dosah dětí, knoflíkové/mincové baterie mohou být pro děti nebezpečné.
- Použité knoflíkové baterie okamžitě zlikvidujte. Nepoužívejte vadné/vyřazené baterie.
- Pravidelně kontrolujte, zda jsou komory pro baterie bezpečné, v případě závady je přestaňte používat.
- V případě, že mohlo dojít ke spolknutí baterií nebo k jejich umístění do jakékoliv části těla, okamžitě vyhledejte lékařskou pomoc.



Mechanismus pohonu

Mechanismus pohonu je bezúdržbový. V pravidelných intervalech (každý měsíc) kontrolujte bezpečné upevnění kování brány a mechanismu pohonu. Uvolněte pohon a zkontrolujte správné fungování brány. Pokud brána nefunguje hladce, nebude fungovat správně s mechanismem pohonu. Pohon nemůže odstranit problémy způsobené nesprávně fungující bránou.


Nastavení koncového spínače a regulace síly


Tato nastavení je nutné zkontrolovat a správně provést při instalaci otevíracího zařízení! Vlivem povětrnostních vlivů může během provozu otevírače dojít k drobným změnám, které je třeba řešit novým nastavením. To se může stát zejména v prvním roce provozu. Pečlivě dodržujte pokyny pro nastavení limitů pojezdu a síly (viz kapitola Fáze učení koncových poloh, strany 11 a 12) a po každém přenastavení přezkontrolujte automatický bezpečnostní zpětný chod!

Demontáž

DŮLEŽITÉ UPOZORNĚNÍ! Dodržujte bezpečnostní pokyny. Viz „Bezpečnostní pokyny“ (strany 2 a 3). Pořadí popsané v části „instalace“, ale v opačném pořadí. Pokyny k nastavení ignorujte

12. LIKVIDACE

 Naše elektrická a elektronická zařízení se nesmí likvidovat společně s domovním odpadem a po použití musí být řádně zlikvidována v souladu se směrnicí EU o odpadních elektrických a elektronických zařízeních: 2012/19/EU; GB UK(NI): SI 2012 č. 19 o odpadních elektrických a elektronických zařízeních, aby se zajistila recyklace materiálů. Separovaný sběr elektrozařízení znamená ekologickou likvidaci a pro spotřebitele je zcela zdarma. Reg. číslo OEEZ v Německu: DE66256568. Veškerý obalový odpad, který zůstane u konečného spotřebitele, musí být v souladu se směrnicí sbírán odděleně od směsného odpadu. Obaly se nesmí likvidovat společně s domovním odpadem, organickým odpadem nebo v přírodě. Obalový materiál je nutné třídít podle materiálu a vyhazovat do k tomu určených recyklačních nádob a do některých komunálních recyklačních kontejnerů.

 Naše baterie jsou uváděny na trh v souladu se zákonem. „Přeškrtnutý odpadkový koš“ znamená, že se baterie nesmí vyhazovat do domovního odpadu. Baterie jsou součástí výrobku (technické údaje). Aby nedošlo k poškození životního prostředí nebo zdraví lidí, je nutné odevzdávat použité baterie k regulované likvidaci do komunálních recyklačních středisek nebo prostřednictvím maloobchodních prodejen, jak je stanoveno zákonem. Baterie lze předávat k likvidaci pouze zcela vybité a v případě lithiových baterií s přelepenými svorkami. Baterie lze z našeho zařízení snadno vyjmout a zlikvidovat. Registrační číslo v Německu: 21002670.

13. ZÁRUKA

Vaše zákonná práva nejsou touto zárukou výrobce dotčena. Záruční podmínky naleznete na stránkách www.liftmaster.eu.

14. PROHLÁŠENÍ O SHODĚ

Příručka se skládá z tohoto návodu k obsluze a prohlášení o shodě.

Typ rádiového zařízení (TX4EVF) je v souladu se směrnicí 2014/53/EU a pro Spojené království s nařízením o rádiových zařízeních SI 2017 č. 1209.

Úplné znění EU prohlášení o shodě je k dispozici na této internetové adrese: <https://doc.chamberlain.de>

POZNÁMKA: Pôvodný návod na inštaláciu a obsluhu bol vypracovaný v angličtine. Všetky ostatné dostupné jazyky sú prekladom pôvodnej anglickej verzie.

1. BEZPEČNOSTNÉ POKYNY A URČENÉ POUŽITIE.....	2
2. ROZSAH DODÁVKY.....	4
3. POTREBNÉ NÁSTROJE.....	4
4. PREHĽAD PREVÁDZKOVATEĽA BRÁNY.....	4
5. MECHANICKÁ INŠTALÁCIA.....	5
5.1 Rozmery brány a prevádzkovateľa.....	5
5.2 Určenie polohy stĺpikovej konzoly.....	5
5.3 Inštalácia stĺpikovej konzoly.....	6
5.4 Nastavenie montáže a jazdnej vzdialenosti operátora.....	6
5.5 Mechanizmus núdzového uvoľnenia.....	8
5.6 Inštalácia riadiacej dosky a zapojenie motora.....	8
5.7 Napájanie.....	8
6. SCHÉMA ZAPOJENIA.....	9
7. PROGRAMMING.....	10
7.1 Displej, programovacie tlačidlá a nastavenie funkcií.....	10
7.2 Všeobecný prehľad programovania.....	10
7.3 Smer pohybu krídla.....	11
7.4 Základné nastavenia.....	11
7.4.1 Nastavenia aplikácie.....	11
7.4.2 Nastavenie smeru motora 1.....	11
7.4.3 Nastavenie smeru motora 2.....	11
7.4.4 Limit učenia.....	11
7.5 Pohotovostný režim.....	12
7.6 Programovanie a vymazávanie diaľkových ovládačov, rádiového príslušenstva a zariadení myQ.....	13
7.7 Rozšírené nastavenia.....	14
7.7.1 Prehľad Rozšírené nastavenia.....	14
7.7.2 Nastaveniavysielača.....	14
7.7.3 Nastavenia infračervených fotobuniek.....	14
7.7.4 Vstupné nastavenia.....	14
7.7.5 Motor čiastočného otvorenia 1.....	15
7.7.6 Oneskorenie motora 2 v otvorenom smere.....	15
7.7.7 Oneskorenie motora 1 v blízkom smere.....	15
7.7.8 Časovač na zatvorenie.....	15
7.7.9 Čas zvratu po náraze.....	15
7.7.10 Nastavenia elektrického zámku/magnetického zámku.....	15
7.7.10a Odľahčovací motor 1 pre elektrický zámok.....	16
7.7.11 Nastavenia blikajúceho svetla.....	16
7.7.11a Predbežné blikanie.....	16
7.7.12 Špeciálne nastavenia kontaktov.....	16
7.7.13 Rýchlosť spustenia v smeroch otvorenia a zatvorenia.....	16
7.7.14 Počítadloúdržby.....	16
7.7.15 Funkcie a nastavenie chránené heslom.....	16
7.7.15a Nastavenie hesla.....	16
7.7.15b Použitie hesla.....	17
7.7.15c Zmena hesla.....	17
7.7.15d Motor sily 1 a 2 v smeroch otvorenia a zatvorenia.....	17
7.7.15e Otáčky motorov 1 a 2 v smeroch otvárania a zatvárania.....	17
7.7.15f Rýchlosť jemného zastavenia.....	18
7.8 Predvolené továrenské nastavenia.....	18
7.9 Dokončenie a ukončenie.....	18
8. ZÁLOŽNÁ BATÉRIA.....	18
9. KÓDY CHÝB.....	18
10. TECHNICKÉ ÚDAJE.....	19
11. ÚDRŽBA.....	20
12. LIKVIDÁCIA.....	20
13. ZÁRUKA.....	20
14. VYHLÁSENIE O ZHODE.....	20

1. BEZPEČNOSTNÉ POKYNY A ZAMÝŠĽANÉ POUŽITIE

O tejto príručke – pôvodná príručka

Tento návod je originálnym návodom na obsluhu podľa smernice o strojových zariadeniach 2006/42 ES. Návod na obsluhu si treba pozorne prečítať, aby ste pochopili dôležité informácie o výrobku. Venujte pozornosť bezpečnostným a výstražným upozoreniam. Príručku uschovajte na bezpečnom mieste, aby ste ju mohli v budúcnosti použiť a aby bola k dispozícii všetkým osobám na účely kontroly, servisu, údržby a opráv. Po inštalácii odovzdajte kompletnú dokumentáciu zodpovednej osobe/vlastníkovi.

Kvalifikácia kompetentného inštalátora

Pre správnu inštaláciu a údržbu kompetentným inštalátorom (odborníkom)/kompetentnou firmou v súlade s návodom na použitie je potrebné pochopiť a zabezpečiť bezpečnú a zamýšľanú funkciu zariadenia. Špecialista je ten, kto má na základe svojho odborného vzdelania a skúseností dostatočné znalosti v oblasti elektrických brán a navyše je oboznámený s príslušnými štátnymi predpismi o bezpečnosti práce a všeobecne uznávanými technologickými pravidlami v takom rozsahu, že je schopný posúdiť aj bezpečný pracovný stav elektrických brán podľa EN 13241, 12604, 12453 (EN12635)

Inštalatér musí rozumieť nasledujúcemu:

Pred inštaláciou pohonu skontrolujte, či je elektrická časť v dobrom mechanickom stave, či sa správne otvára a zatvára a či je prípadne správne vyvážená.




Pred prvým použitím a aspoň raz ročne musí odborník skontrolovať bezpečný stav elektrických brán. Po inštalácii musí inštalatér zabezpečiť, aby bol mechanizmus správne nastavený a aby ochranný systém a prípadné ručné uvoľnenie fungovali správne (EN 13241, EN12604, EN 12453, EN 12635. Pravidelná údržba, kontrola sa musí vykonávať podľa noriem. Inštalatér musí ostatných používateľov poučiť o bezpečnej prevádzke systému pohonu.

Po úspešnej inštalácii systému pohonu zodpovedný inštalatér v súlade s predpismi EÚ: Smernica o strojových zariadeniach 2006/42/ES; musí vydať CE Vyhlásenie Spojeného kráľovstva o zhode pre systém brány CE.

Prečítajte si návod na obsluhu a najmä bezpečnostné opatrenia. Nasledujúce symboly sú umiestnené pred pokynmi, aby sa zabránilo zraneniu osôb alebo poškodeniu majetku. Pozorne si prečítajte tieto pokyny.

Výstražné symboly

Všeobecný výstražný symbol označuje nebezpečenstvo, ktoré môže viesť k poraneniu alebo smrti. V textovej časti sa používajú všeobecné výstražné symboly, ako je opísané nižšie.

Symbol NEBEZPEČENSTVO	Symbol VÝSTRAHA	Symbol POZOR	Symbol UPOZORNENIE
 NEBEZPEČENSTVO	 VÝSTRAHA	 POZOR	UPOZORNENIE
Označuje nebezpečenstvo, ktoré priamo vedie k smrti alebo vážnym zraneniam.	Označuje nebezpečenstvo, ktoré môže viesť k smrti alebo vážnym zraneniam.	Označuje nebezpečenstvo, ktoré môže viesť k poškodeniu alebo zničeniu výrobku.	Označuje nebezpečenstvo, ktoré môže viesť k poškodeniu alebo zničeniu výrobku.

Účel použitia

Pohon krídlových brán je navrhnutý a testovaný výlučne na prevádzku hladko sa pohybujúcich krídlových brán v nekomerčnom sektore obytných budov.

Špecifikácie brán sú definované v rámci mechanických požiadaviek podľa EN12604.

Nesmie sa prekročiť maximálna prípustná veľkosť brány a maximálna hmotnosť. Brána sa musí plynule otvárať a zatvárať rukou. Pohon používajte na bránach, ktoré sú v súlade s platnými normami a smernicami. Pri použití dverných alebo bránkových panelov je potrebné zohľadniť regionálne podmienky zaťaženia vetrom: EN13241. Dodržiavajte špecifikácie výrobcu týkajúce sa kombinácie brány a pohonu. Možné nebezpečenstvá v zmysle EN13241 je potrebné predísť navrhnutím a inštaláciou dveri/brány podľa príslušných pokynov. Tento mechanizmus brány sa musí inštalovať a prevádzkovať v súlade s príslušnými bezpečnostnými predpismi.

Nesprávne používanie

Nie je určený na nepretržitú prevádzku a používanie v komerčných aplikáciách.

Konštrukcia pohonného systému nie je navrhnutá na prevádzku brán mimo špecifikácie výrobcu.

Nie je povolená na bránach, ktoré sa pohybujú so sklonom/spádom.

Akémkoľvek nesprávne používanie pohonného systému môže zvýšiť riziko nehôd. Výrobca nenesie žiadnu zodpovednosť za takéto použitie. Automatické brány musia byť v súlade s platnými medzinárodnými a miestnymi normami, usmerneniami a predpismi (EN 13241, EN12604, EN 12453).

K pohonu sa smie pripojiť len príslušenstvo LiftMaster a schválené príslušenstvo. Nesprávna inštalácia a/alebo nedodržanie nasledujúcich pokynov môže mať za následok vážne zranenie osôb alebo poškodenie majetku.

Bránové systémy umiestnené na verejných priestranstvách, ktoré majú len silové obmedzenie, sa môžu obsluhovať len pod plným dohľadom.

Mali by sa zväziť ďalšie bezpečnostné zariadenia v súlade s EN 12453.

1. BEZPEČNOSTNÉ POKYNY A ZAMÝŠĽANÉ POUŽITIE

Počas prevádzky by brána nemala v žiadnom prípade brániť verejným cestám a komunikáciám (verejný priestor).

Pri používaní nástrojov a malých dielov na inštaláciu alebo opravu brány buďte opatrní a nenoste prstene, hodinky ani voľné oblečenie.

Aby ste predišli vážnemu zraneniu osôb v dôsledku zachytenia, odstráňte všetky blokovacie zariadenia namontované na bráne, aby ste zabránili jej poškodeniu.

Inštalácia a zapojenie musia byť v súlade s miestnymi stavebnými a elektroinštaláčnymi predpismi. Napájacie káble sa musia pripájať len k riadne uzemnenému napájaniu.

Pred inštaláciou, údržbou, opravami alebo odstránením krytov odpojte systém od elektrického napájania. K sieťovému napájaniu musí byť pripojené odpojovacie zariadenie (inštalácia s trvalým zapojením), ktoré zaručí odpojenie všetkých pólov (odpojovač alebo samostatná poistka). Opravy a elektrické inštalácie môže vykonávať len autorizovaný elektrikár. Tlačidlo núdzového zastavenia musí byť nainštalované pre núdzový prípad na základe posúdenia rizika.

Zabezpečte, aby sa zabránilo zachyteniu medzi elektrickou časťou a okolitými pevnými časťami v dôsledku otváracieho pohybu elektrickej časti dodržaním daných bezpečnostných vzdialeností v súlade s EN 13241, EN12604, EN 12453, EN 12635 a/alebo s bezpečnostnými zariadeniami (napr. bezpečnostným okrajom).

Testovanie bezpečnostnej funkcie systému pohonu sa odporúča vykonávať aspoň raz mesačne. Prečítajte si tiež pokyny výrobcov komponentov systému brány.

Po inštalácii sa musí vykonať záverečná skúška úplnej funkcie systému a bezpečnostných zariadení a všetci používatelia musia byť poučení o funkcii a prevádzke pohonu krídlovej brány.

Systémy brán musia spĺňať obmedzenie sily podľa EN 12453, EN 60335-2-103.

Dodatočné bezpečnostné zariadenie (bezpečnostný okraj..) sa musí zohľadniť v súlade s normou pri zmenách systému.

Je dôležité zabezpečiť, aby brána vždy fungovala bez problémov. Brány, ktoré sa zaseknú alebo zaseknú, sa musia okamžite opraviť. Na opravu brány si prizvite kvalifikovaného technika, nikdy sa ju nepokúšajte opraviť sami. Toto zariadenie nie je určené na používanie osobami (vrátane detí) s obmedzenými fyzickými, zmyslovými alebo duševnými schopnosťami alebo s nedostatočnými skúsenosťami alebo znalosťami, pokiaľ nie sú pod dohľadom osoby zodpovednej za ich bezpečnosť alebo neboli poučené o tom, ako zariadenie používať. Ak je to potrebné, ovládacie zariadenie MUSÍ byť namontované na dohľad od brány a mimo dosahu detí. Deti by mali byť pod dohľadom, aby sa so zariadením nehrali. Nedovoľte deťom, aby ovládali tlačidlá alebo diaľkové ovládanie. Nesprávne používanie systému pohonu brány môže mať za následok vážne zranenie.

Výstražné značky by mali byť umiestnené na dobre viditeľných miestach.

Otvárač brány by sa mal používať iba vtedy, ak používateľ vidí na celý priestor brány a je si istý, že v ňom nie sú žiadne prekážky a pohon brány je správne nastavený.

Nikto nesmie prejsť cez priestor brány, keď je v pohybe. Deti sa nesmú hrať v blízkosti brány.

Úplná ochrana proti prípadnému rozdrveniu alebo zachyteniu musí fungovať okamžite po inštalácii ramien pohonu.

Na mechanickej, elektrickej inštalácii alebo na zatváracích hranách brány sa môžu vyskytovať nebezpečenstvá v podobe drvenia, nárazov:

- Porucha konštrukcie, krídlo, závesy, upevnenie, zarážky pohybu, zaťaženie vetrom
- Drvenie, oblasť závesu, pod bránou, bezpečnostná vzdialenosť na pevný predmet
- Elektrická porucha (riadenie – poruchy bezpečnostných systémov)
- Náraz, zametaná plocha, podržanie do spustenia, obmedzenie sily, detekcia prítomnosti

Musia sa prijať vhodné opatrenia na zabezpečenie bezpečnej prevádzky systému brány v súlade s normami.

Poškodenú jednotku nikdy nespúšťajte.

Ručné uvoľnenie používajte len na odpojenie pohonu a – ak je to možné – len vtedy, keď je brána zatvorená. Spustenie núdzového ručného uvoľnenia môže viesť k nekontrolovaným pohybom brány. Funkcia časovača zatvárania (TTC), aplikácia myQ Smartphone Control sú príkladmi bezobslužnej prevádzky brány.

Akékoľvek zariadenie alebo funkcia, ktorá umožňuje zatvoriť bránu bez toho, aby bola v zornom poli brány, sa považuje za bezobslužné otváranie/zatváranie.

Funkcia Timer – to – ZATVORIŤ (TTC), ovládanie smartfónu myQ a všetky ostatné zariadenia myQ sa môžu aktivovať iba vtedy, keď sú nainštalované fotobunky Liftmasters (TTC funguje iba v blízkom smere). Brána sa musí ovládať len v priamej viditeľnosti na bránu.

DÔLEŽITÉ INFORMÁCIE!

- Tento postup sa vyžaduje aj pri súkromných zariadeniach (nových alebo dodatočne namontovaných na ručne ovládanú bránu).
Tento návod na inštaláciu a obsluhu si musí používateľ ponechať.
- Výrobca nepreberá žiadnu zodpovednosť/záručné nároky vyplývajúce z iného ako určeného použitia a po uplynutí záruky.
- Za všetky súvisiace práva nesie výhradnú zodpovednosť právny zástupca.

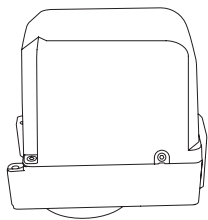
POZNÁMKA: Dodržiavajte návod na inštaláciu a obsluhu.

- Vždy sledujte funkciu systému a v prípade poruchy okamžite odstráňte príčinu.
- Vykonajte ročnú kontrolu systému. Zavolajte odborníka.
- Medzi krídlom brány a okolím musia byť dodržané bezpečnostné vzdialenosti v súlade s príslušnými normami.
- Pohon je možné inštalovať len na stabilné a pevné krídla brány. Krídla brány sa pri otváraní a zatváraní nesmú ohýbať ani krútiť.
- Skontrolujte, či sú závesy krídla brány správne namontované a fungujú a či nevytvárajú žiadne prekážky.
- Montáž dvoch pohonov na to isté krídlo brány je prísne zakázaná.

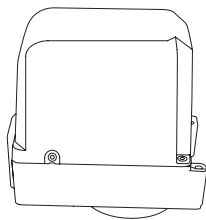


2. OBSAH DODANIA

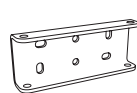
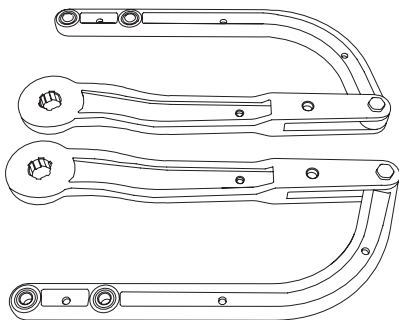
AA250EVK



Primárna jednotka
s riadiacou doskou



Sekundárna
jednotka



Držiak na montáž
na stĺpik (2x)



Montážna konzola
brány (2x)



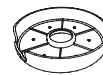
Obvodový
krúžok (2x)



Obvodový
kolík (2x)



Skrutka
a matica (4x)



Kryt (2x)



Skrutka
a podložka (2x)



Odfahčenie
ťahu 4 x M16
2 x M20



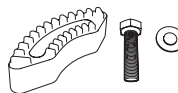
Priechodky
(6x)



Diaľkové
ovládanie (2x)



Kľúč
uvoľnenia (4x)

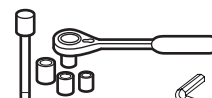
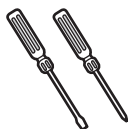
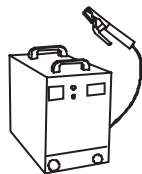
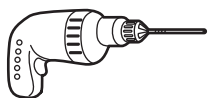


Pevné zarážky (4x)
Skrutki + podložky (4x)



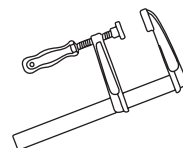
Inštalčná
príručka

3. POTREBNÉ NÁSTROJE

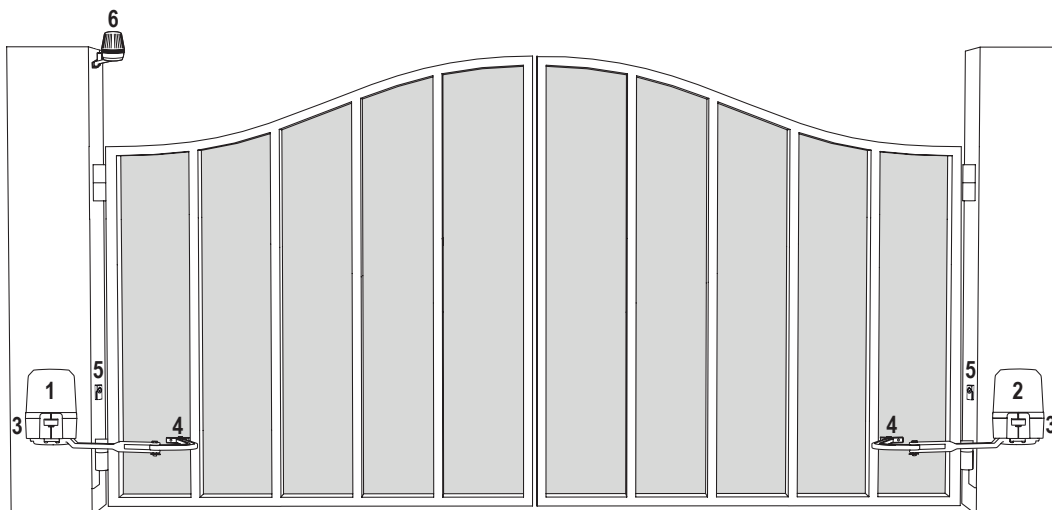


13, 14 mm

6 mm



4. PREHĽAD POHONU BRÁNY



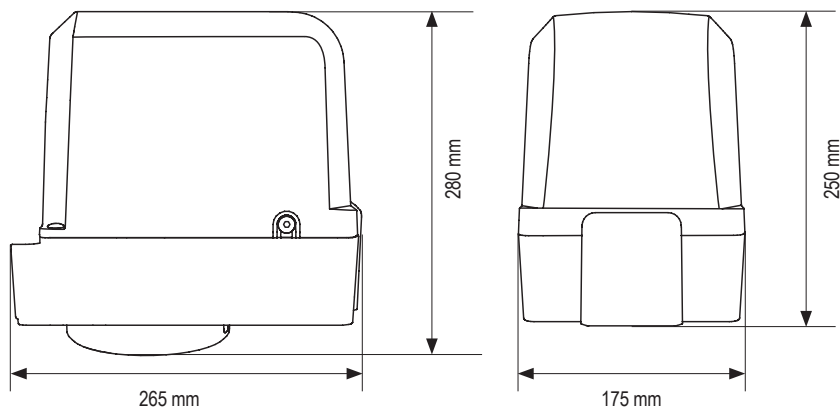
1. Motor 1 s riadiacou doskou
2. Motor 2
3. Držiak stĺpika (skrytý)
4. Držiak brány
5. Infračervené fotobunky
6. Blikajúce svetlo

5. MECHANICKÁ INŠTALÁCIA

Týmto začnete mechanickú inštaláciu pohonu brány.

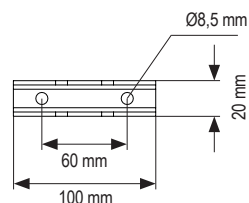
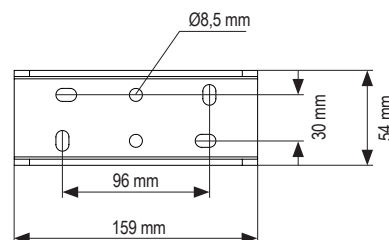
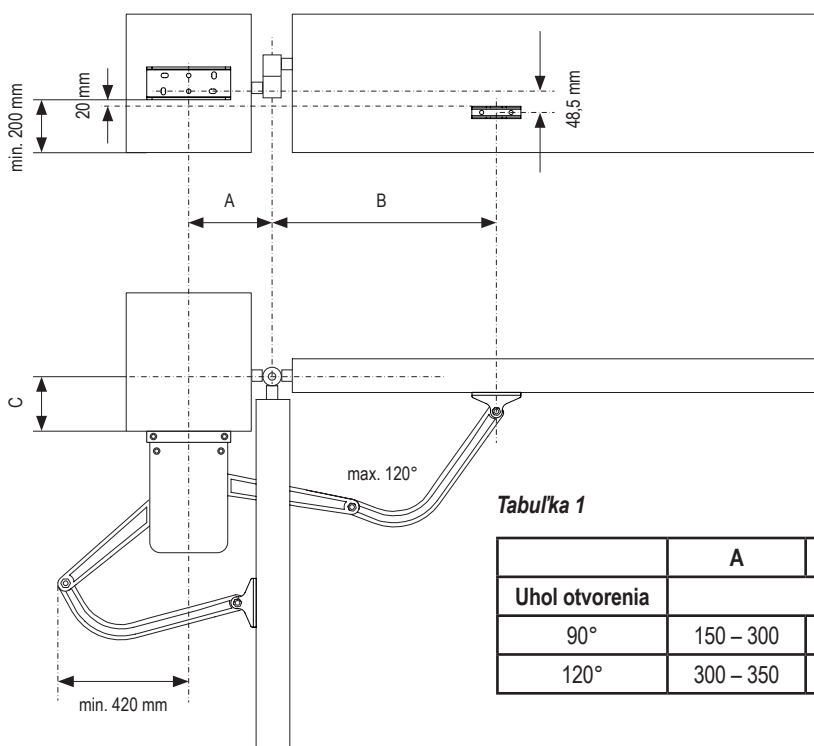
5.1 Rozmery brány a pohonu

AA250EVK



AA250EVK	
1.5 m	250 kg
2.0 m	200 kg
2.5 m	150 kg

Príklad inštalácie



Tabuľka 1

	A	B	C
Uhol otvorenia	mm		
90°	150 – 300	390 – 540	0 – 300
120°	300 – 350	300 – 350	0 – 25

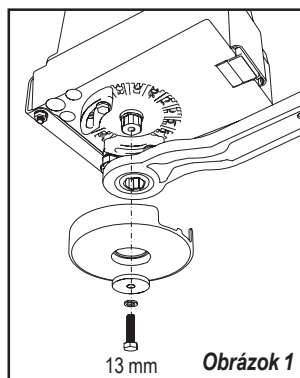
5.2 Určenie polohy konzoly stĺpika

1. Určíte rozmery A, B a C na základe uhla otvorenia uvedeného v tabuľke 1, aby ste potvrdili polohu, v ktorej bude stĺpková konzola namontovaná.

POZNÁMKA: Všetky drviace body musia byť zabezpečené ochranou proti zachyteniu podľa EÚ: EN 12453, EN 60335-2-103; Veľká Británia (Spojené kráľovstvo, Severné Írsko): BS EN 12453, BS EN 60335-2-103.

Montáž ramena operátora

1. Pripevnite rameno motora k stredú otvárača zo spodnej strany.
2. Uzávery zaistíte skrutkou a podložkou.



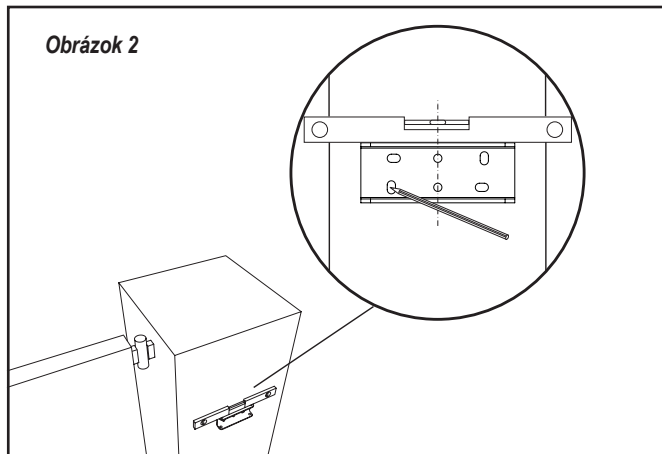
Obrázok 1

5. MECHANICKÁ INŠTALÁCIA

5.3 Inštalácia stĺpikovej konzoly

1. Na základe stĺpikovej konzoly označte a vyvrtajte otvory pre stĺpikovú konzolu.
2. Pripevnite konzolu stĺpika pomocou správneho upevňovacieho materiálu na základe existujúcej inštalácie (stavebná látka/materiál). Informujte sa u výrobcu brány.
3. Drážky na držiaku stĺpika umožňujú zarovnanie. Keď je držiak stĺpika v rovine, utiahnite matice.

Obrázok 2



POZNÁMKA: Pri murovaných alebo betónových stĺpikoch použite správne hmoždinky a skrutky. Dodržujte správnu vzdialenosť od okrajov stĺpikov. Pri kovových stĺpikoch zohľadnite hrúbku stĺpika a konzolu privarte alebo priskrutkujte priamo k stĺpiku. Pri drevených stĺpikoch použite správne skrutky a v prípade potreby použite výstužné dosky. Upozornenie: Pripevnené konzoly sa po inštalácii a počas prevádzky nesmú uvoľniť.

5.4 Montáž operátora a nastavenie jazdnej vzdialenosti

1. Zarovnajte otvory na pohone s otvormi na stĺpikovej konzole a pripojte ich pomocou skrutiek a matic (pozri obrázok 3.a).
2. Pripojte rameno k hriadeľu motorovej jednotky (pozri obrázok 3.b). Ak plánujete inštalovať pevné zarážky obsluhy, zatiaľ nemontujte plastový ochranný kryt.
3. Uvoľnite spojku pohonu pomocou uvoľňovacieho kľúča (pozri obrázok 4 na strane 7).
4. Uvedte krídlo brány do zatvorenej polohy.

POZNÁMKA: Systém musí fungovať s vonkajšími pevnými dorazmi brány alebo pohonu v oboch smeroch.

5.4.1 Inštalácia s externými pevnými dorazmi brány: (pevné zarážky brány sú už nainštalované)

- a. Umiestnite držiak brány do požadovanej úplne zatvorenej polohy, ako je znázornené na obrázku 3.c. Dočasne ho pripevnite ku krídlu brány a spojte s ramenom pohonu s ohľadom na rozmery A, B a C z tabuľky 1.
- b. Ručne otvárajte a zatvárajte bránu do požadovaných polôh. Skontrolujte, či sa rameno pohonu nezavadzia a či sa brána pohybuje hladko.
- c. Vykonaňte trvalé pripojenie držiaka brány na zvolenú správnu pozíciu.

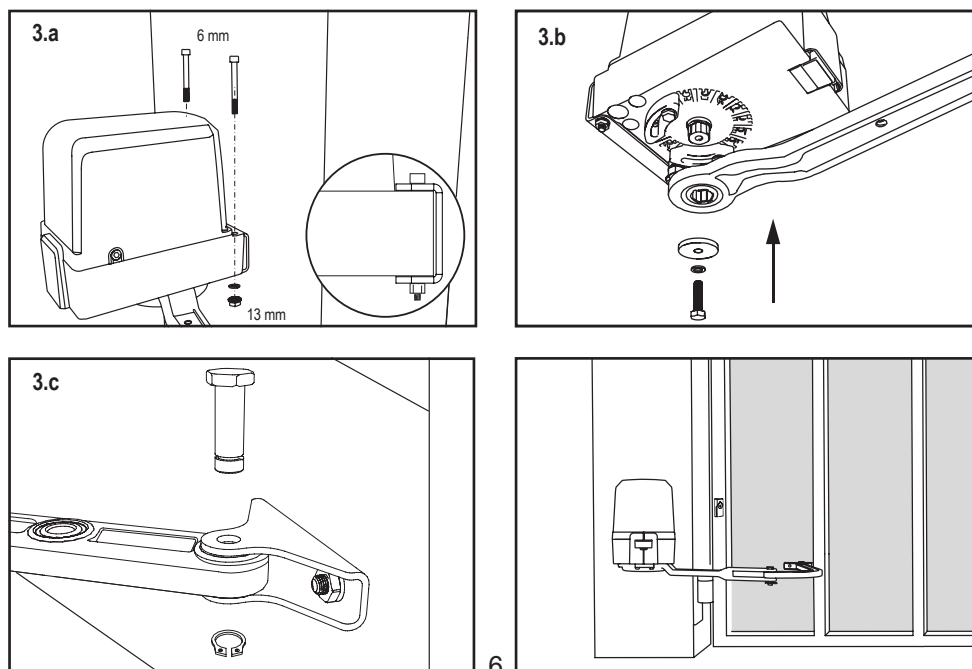
5.4.2 Inštalácia s pevnými dorazmi obsluhy: (nie sú nainštalované pevné zarážky brány)

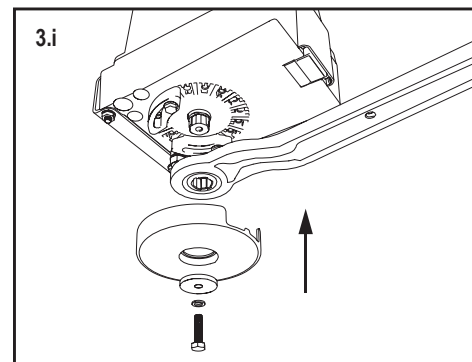
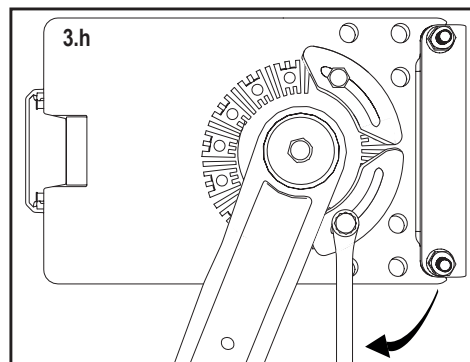
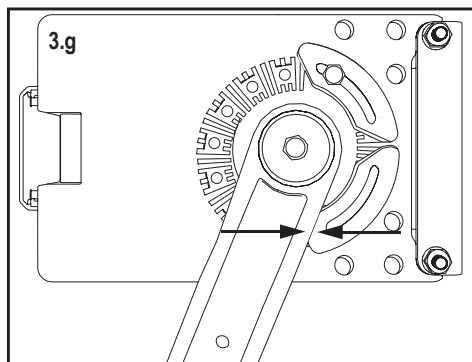
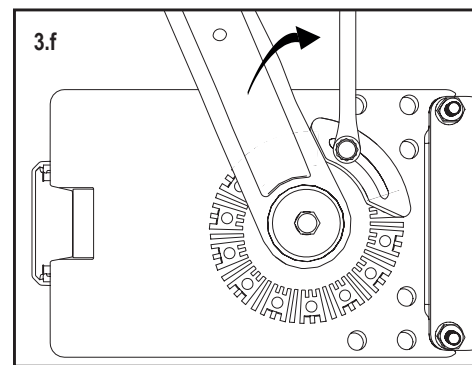
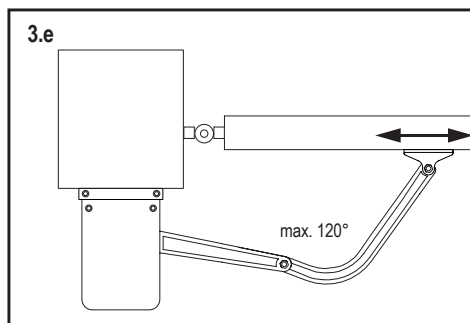
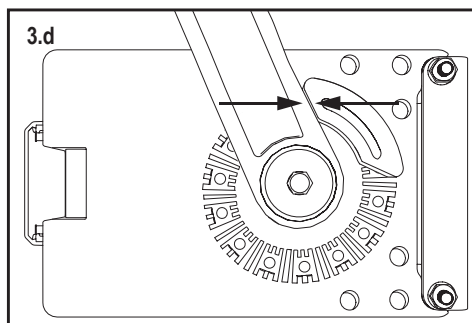
- a. Umiestnite držiak brány do požadovanej úplne zatvorenej polohy, ako je znázornené na obrázku 3.c. Dočasne ho pripevnite ku krídlu brány (ešte ho trvalo nepripájajte ku krídlu brány, aby bolo možné vykonať nastavenia) a spojte ho s ramenom pohonu s ohľadom na rozmery A, B a C z tabuľky 1.
- b. Ručne otvárajte a zatvárajte bránu do požadovaných polôh. Skontrolujte, či sa rameno pohonu nezavadzia a či sa brána pohybuje hladko.
- c. Upevnite pevný doraz obsluhy do polohy „blízko“ čo najbližšie k ramenu (pozri obrázok 3.d).
Podržte krídlo brány v požadovanej „zatvorenej“ polohe a nastavte polohu konzoly brány tak, aby rameno tlačilo na tvrdý doraz v polohe „zatvorené“ (pozri obrázky 3.e a 3.f).
- d. Vykonaňte trvalé pripojenie držiaka brány na zvolenej správnej pozícii.
- e. Otvorte bránu do požadovanej polohy „otvorené“ a upevnite pevný doraz pohonu pre polohu „otvorené“ čo najbližšie k ramenu (pozri obrázky 3.g a 3.h).
- f. Namontujte ochranný kryt na spodnú časť operátora (pozri obrázok 3.i).

4.3 Kombinácia pohonu a pevných dorazov brány je povolená. Použite príslušné postupy nastavenia, ako sú opísané vyššie.

5. Postup zopakujte pre jednotku na opačnej strane.

Obrázok 3



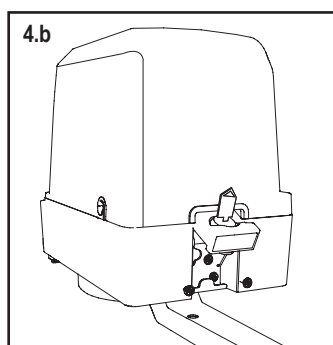
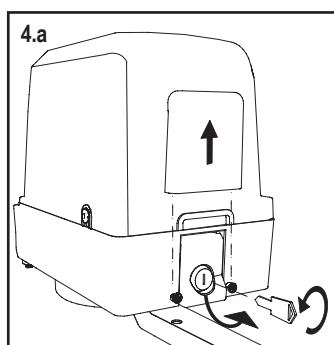


5.5 Mechanizmus núdzového uvoľnenia

Ak chcete uvoľniť uvoľňovací mechanizmus, odstráňte plastový kryt, vložte kľúč a otočte ho o 90°.

Vytiahnite spojku nahor (pozri obrázok 4). Ak chcete znovu zapnúť uvoľňovací mechanizmus, zatlačte spojku nadol a otočte kľúčom o 90°.

Obrázok 4



INŠTALÁCIA

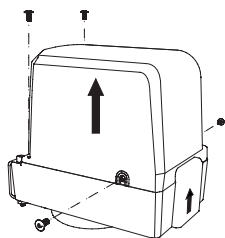
5.6 Inštalácia riadiacej dosky a zapojenie motora

Riadiaca doska je už predinštalovaná v primárnej jednotke a predpripravená na zapojenie do svoriek motora 1.

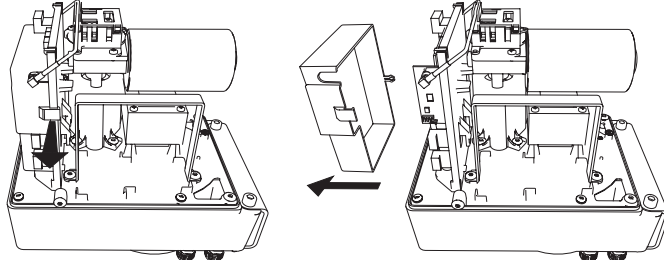
Aby ste získali prístup k riadiacej doske v primárnej jednotke, uvoľnite 2 skrutky po stranách krytu a 2 skrutky na zadnej strane primárnej jednotky (pozri obrázok 5).

Svorky na zapojenie príslušenstva sú priamo prístupné. Ak chcete získať prístup k programovacím tlačidlám, odstráňte priehľadný plastový kryt a po dokončení programovania ho vráťte späť (pozri obrázok 6). Odstráňte kryt sekundárnej jednotky rovnakým spôsobom ako pri primárnej jednotke, aby ste získali prístup k svorke zapojenia motora (pozri obrázok 7).

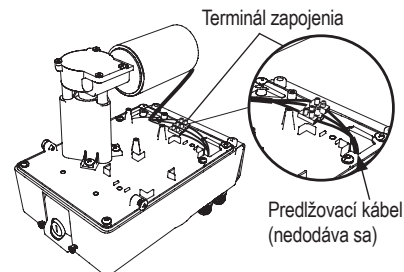
Obrázok 5 Odstránenie krytu



Obrázok 6 Primárna jednotka



Obrázok 7 Sekundárna jednotka



Podľa predvolených nastavení sa primárna jednotka považuje za nainštalovanú vľavo (pri pohľade zvnútra von) a sekundárna jednotka vpravo.

Ak je primárna jednotka nainštalovaná vpravo a sekundárna jednotka vľavo, zmeňte nastavenia funkcií „d1“ a „d2“.

Pripojenie motora 1

POZNÁMKA: Pohon pripojený na svorku MOTOR 1 sa vždy otvára ako prvý a zatvára ako posledný.

Zohľadnite to pri základných a rozšírených nastaveniach (pozri časť Programovanie).

Primárna jednotka je už predpripravená na pripojenie k svorkám MOTOR 1.

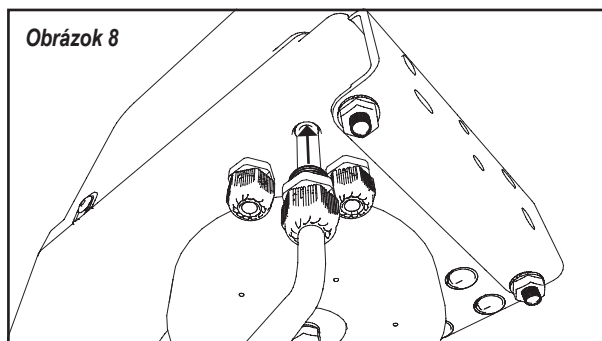
Pre zapojenie motora 1 nie sú potrebné žiadne ďalšie kroky.

Pripojenie motora 2

POZNÁMKA: Pohon pripojený na svorku MOTOR 2 sa vždy otvára ako posledný a zatvára ako prvý.

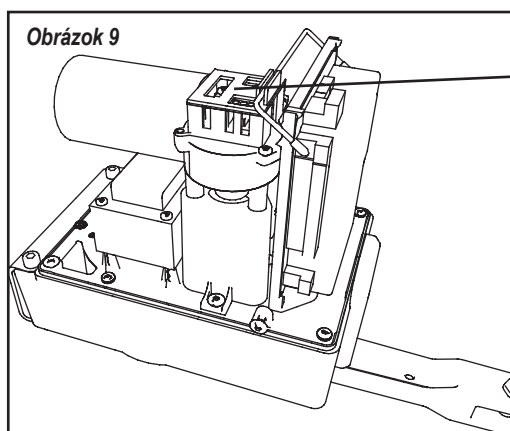
Zohľadnite to pri základných a rozšírených nastaveniach (pozri časť Programovanie).

1. Pripojte predživovací kábel (nie je súčasťou dodávky) k pripojovacím svorkám sekundárnej jednotky (pozri obrázok 7).
Všimnite si farby káblov sekundárneho motora, aby zodpovedali farbám na svorke zapojenia riadiacej dosky pre MOTOR 2.
2. Predživovací kábel sekundárneho motora prestrčte cez jednu z káblových priechodiek v spodnej časti primárnej jednotky (pozri obrázok 8). Dbajte na to, aby ste použili tú stranu motora, kde rameno nemôže prerezať káble počas otvárania alebo zatvárania.
3. Káble sekundárneho motora pripojte k svorkám MOTOR 2 takto: červený kábel k červenej svorke, zelený kábel k svorke GRN, biely kábel k svorke WHT na riadiacej doske.



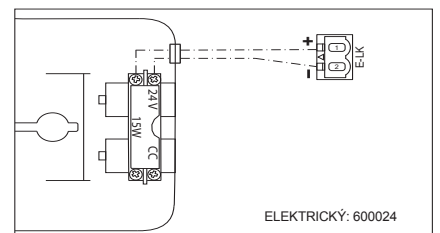
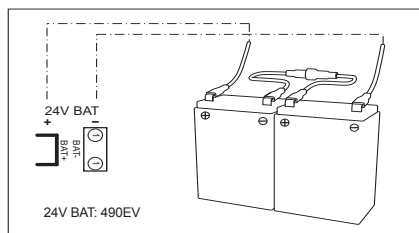
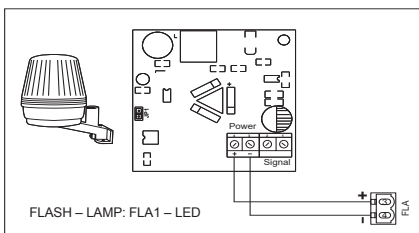
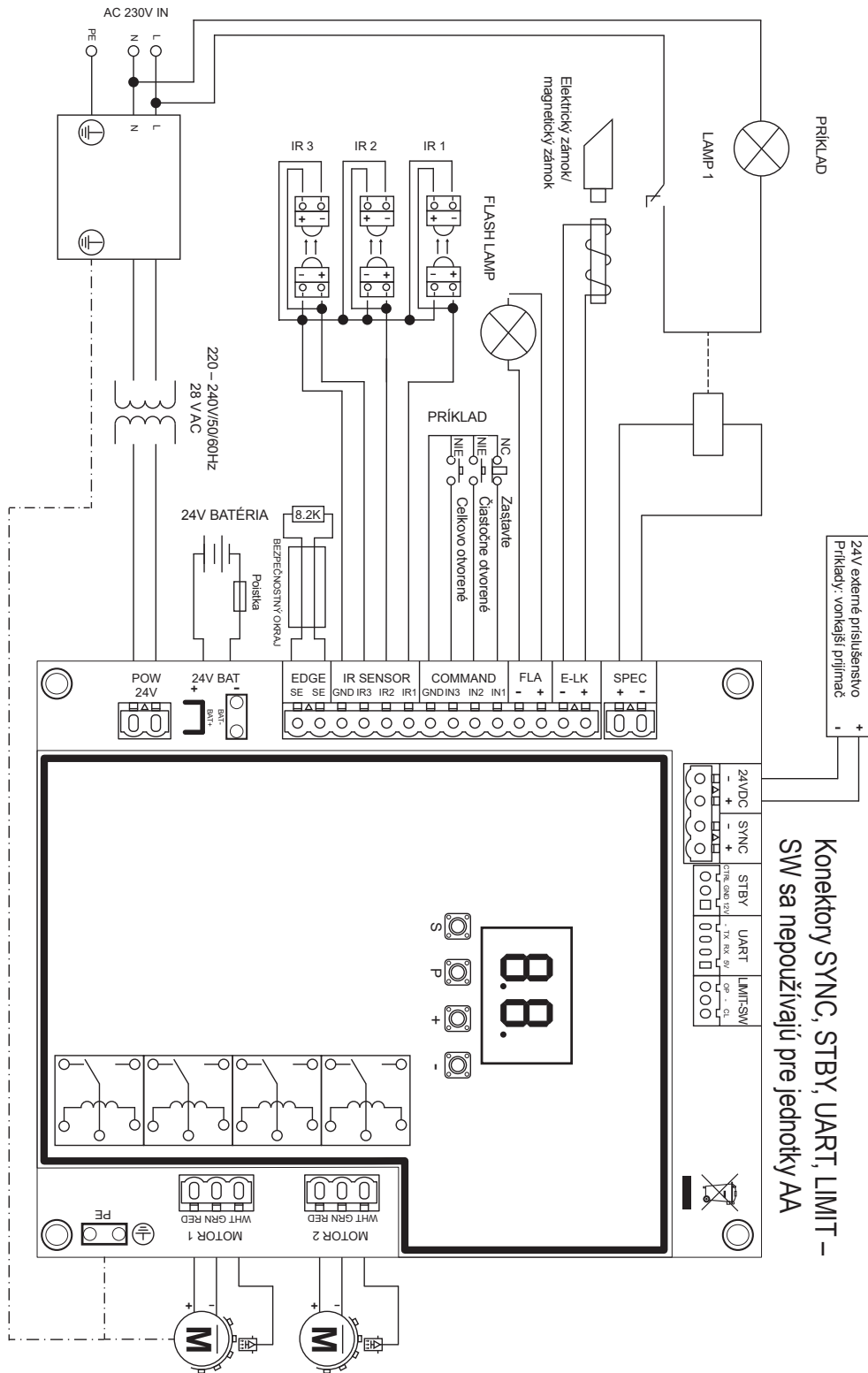
5.7 Napájanie

Zapojenie sieťového napájania musí vykonať certifikovaný elektrikár.



Gratulujeme! Týmto je mechanická inštalácia pohonu brány dokončená. Pokračujte v programovaní a základných nastaveniach, aby ste mohli spustiť prevádzku.

6. SCHÉMA ZAPOJENIA



7. PROGRAMOVANIE

7.1 Displej, programovacie tlačidlá a nastavenie funkcií

Funkcia programovacích tlačidiel (4 tlačidlá):

Tlačidlo	Funkcia
S	naprogramovanie/vymazanie diaľkových ovládačov a špecifických funkcií
P	vstúpiť do režimu programovania, vybrať funkciu a uložiť
+/-	Prechádzanie cez menu a zmena hodnoty na displeji

Funkcia a naprogramované hodnoty sa zobrazujú na LED displeji.

Nastavenie funkcie – režim programovania

LED displej po zapnutí riadiacej dosky zobrazuje nasledujúce hodnoty:

--	Riadiaca doska je predprogramovaná na príslušnú aplikáciu (popis stavu nájdete nižšie v časti „Aplikácia“ a „Pohotovostný režim“).
EO	„EO“ v prípade, že riadiaca doska ešte nebola naprogramovaná alebo resetovaná funkciou „Továrenské nastavenie“. V tomto stave sa príkaz vstupu alebo vysieláča vždy ignoruje.

Týmto spustíte programovanie pohonu brány.

7.2 Všeobecný prehľad programovania

Programovanie je rozdelené do 2 častí:

1. Základné nastavenia (strana 11)
2. Rozšírené nastavenia (strana 14)

Po vykonaní základných nastavení sa počas fázy učenia automaticky naučia nasledujúce parametre:

1. Dĺžka dráhy z polohy **PLNÝ ZATVORIŤ** do polohy **PLNÝ OTVORIŤ**.
2. Sila otvárania a zatvárania pre každý motor.

POZNÁMKA:

- Fáza základných nastavení a učenia musí byť dokončená, aby sa umožnila prevádzka.
- Po ukončení fázy učenia a programovania bude operátor pracovať podľa predvolených nastavení.
- K rozšíreným nastaveniam nie je možné získať prístup, ak nie sú dokončené základné nastavenia a fáza učenia.
- **Pred programovaním sa uistite, že sú pripojené príslušné bezpečnostné zariadenia.**

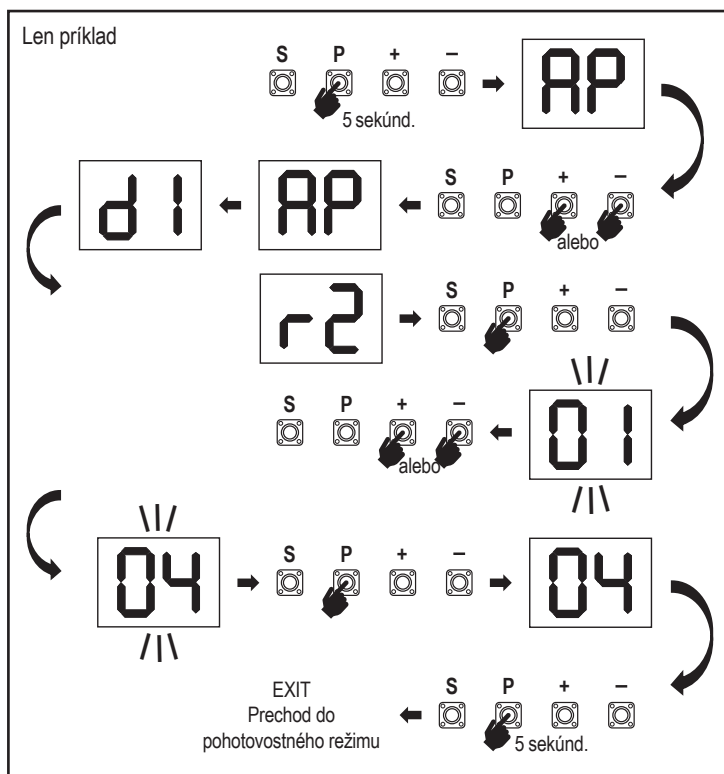
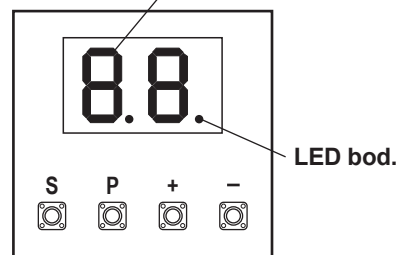
Všeobecné nastavenie:

1. Stlačením a podržaním tlačidla „P“ na 5 sekúnd vstúpite do ponuky „AP“ na displeji označuje prvú dostupnú funkciu v menu.
2. Na prechod medzi funkciami použite tlačidlá „+“ a „-“.
3. Stlačením tlačidla „P“ vyberte požadovanú funkciu.
4. Zobrazí sa predvolené nastavenie alebo predtým naprogramovaná hodnota. To sa prejaví blikaním hodnoty na displeji.
5. Pomocou tlačidiel „+“ alebo „-“ vyberte požadovanú hodnotu. Výber potvrdíte stlačením tlačidla „P“.
6. Naprogramovaná funkcia sa zobrazí na displeji.
7. Ak chcete zmeniť nastavenie inej funkcie, zopakujte postup od bodu č. 2 do bodu č. 6
8. Ak chcete prejsť do ponuky funkcií, stlačte tlačidlo „P“ na 5 sekúnd, potom doska prejde do pohotovostného režimu.

Ak nestlačíte tlačidlo „P“ na potvrdenie nastavenia novej hodnoty, nové nastavenia sa po 3 minútach uložia a programovanie ukončí menu a vráti sa do pohotovostného režimu.

POZNÁMKA: Ak chcete ovládať bránu alebo vykonať akýkoľvek príkaz, menu nastavenia musíte ukončiť stlačením tlačidla „P“ na 5 sekúnd alebo výberom funkcie FE, alebo počkať 3 minúty na automatické ukončenie a návrat do pohotovostného režimu.

2 – miestny LED displej



7. PROGRAMOVANIE

7.3 Smer pohybu krídla

Pred programovaním posuňte bránu ručne do strednej polohy a znovu zapnite uvoľňovací mechanizmus (pozri stranu 7).

Stlačte a podržte tlačidlo „-“ na ovládacom paneli a uistite sa, že sa motory pohybujú v smere **ZATVORIŤ**. Ak je správny, okamžite pusťte tlačidlo „-“ a brána sa zastaví.

Ak sa motory pohybujú v smere **OTVORIŤ**, prejdite na funkcie „d1„ a „d2“ a zmeňte nastavenie smeru.

Po správnom nastavení smeru **ZATVORIŤ** nechajte bránu v strednej polohe. Operátor je pripravený na fázu učenia.

Poznámka: V prípade potreby je možné bránu pred konečným nastavením posúvať pomocou tlačidiel „+“ a „-“.

Stlačte a podržte tlačidlo „+“ na ovládacom paneli, aby ste bránu presunuli do polohy **OTVORIŤ**. Po uvoľnení tlačidla sa obsluha zastaví.

Stlačením a podržaním tlačidla „-“ na ovládacom paneli presuňte bránu do polohy **ZATVORIŤ**. Po uvoľnení tlačidla sa obsluha zastaví.

7.4 Základné nastavenia

Prehľad základných nastavení

LED		Funkcia
		Základné nastavenia (povinné)
AP	AP	Aplikácia
d1	d1	Smer motora 1
d2	d2	Smer motora 2
LL	LL	Fáza obmedzovania učenia

7.4.1 Nastavenia aplikácie

Funkcia aplikácie zobrazená na displeji.

Táto funkcia je už z výroby prednastavená na hodnotu 05.



05	Výklopná brána, dva motory pre aplikáciu AA250 (predvolené)
-----------	---

Ďalšie nastavenia sú k dispozícii na požiadanie:

00	Žiadna vybraná aplikácia
04	Výklopná brána, jeden motor pre aplikáciu AA250

Hodnoty 01 – 03, 06, 07 nie sú vhodné pre aplikáciu AA250 a nesmú byť zvolené.

7.4.2 Nastavenia smerového motora 1



Funkcia smerového motora 1 zobrazená na displeji

Definuje smer pohybu motora 1.

01	Motor 1 sa pohybuje v smere zatvárania, ak je nainštalovaný na pravej strane .
02	Motor 1 sa pohybuje v smere zatvárania, ak je nainštalovaný na ľavej strane (predvolené)

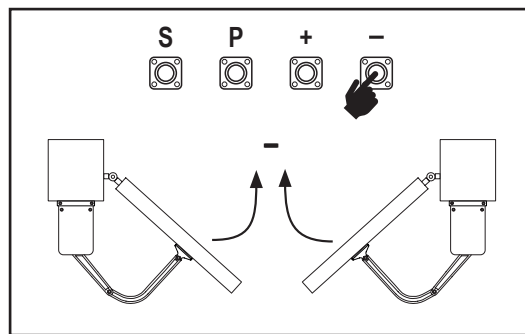
7.4.3 Nastavenie smerového motora 2

Funkcia smerového motora 2 zobrazená na displeji.

Definuje smer pohybu motora 2. Nie je k dispozícii pre aplikáciu „jeden motor“.



01	Motor 2 sa pohybuje v smere zatvárania, ak je nainštalovaný na pravej strane (predvolené)
02	Motor 2 sa pohybuje v smere zatvárania, ak je nainštalovaný na ľavej strane



7.4.4 Limitné učenie



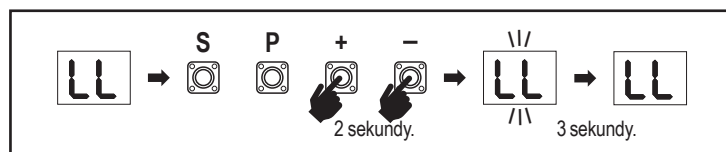
Pred začatím fázy učenia sa uistite, že:

- Ostatné základné nastavenia sú dokončené
- sú nainštalované vnútorné/vonkajšie pevné zarážky (pre výklopné brány)
- Prvý pohyb bude v smere **ZATVORIŤ**.

Dostupné metódy učenia:

Štandardný režim učenia (automatický)

- Stlačte a podržte tlačidlá „+ a -“ na 2 sekundy.
- Spustí sa automatický proces učenia. LL bude počas celého procesu blikať na displeji.
- Krídlo 2 sa pohybuje v smere **ZATVORIŤ**, až kým nedosiahne tvrdý doraz, a zastaví sa.
- Krídlo 1 sa pohybuje v smere **ZATVORENIA**, kým sa nedosiahne tvrdý doraz, a zastaví sa na 2 sekundy. Potom sa krídlo 1 rozbehne v smere **OTVORENÉ**, kým sa nedosiahne tvrdý doraz.
- Krídlo 2 sa pohybuje v smere **OTVORIŤ** až do dosiahnutia tvrdého dorazu, zastaví sa na 2 sekundy a potom sa pohybuje v smere **ZATVORIŤ** až do dosiahnutia tvrdého dorazu a zastaví sa.
- Krídlo 1 sa pohybuje v smere **ZATVORIŤ**, kým nedosiahne tvrdý doraz, a zastaví sa.
- Štandardná fáza učenia je ukončená. Na displeji sa zobrazí LL a po 3 sekundách sa doska vráti do pohotovostného režimu.



POZNÁMKA: Pri aplikácii s jedným motorom sa akcie „krídla 2“ nepoužívajú.

Nasledujúce nastavenia sa vykonávajú počas štandardného režimu učenia:

- Dĺžka dráhy z polohy **FULL ZATVORIŤ** do polohy **FULL OTVORIŤ**.
- Sila otvárania a zatvárania pre každý motor.
- 15 % z celkového počtu jazd v oboch smeroch je určených na zastávku Soft Stop.
- Oneskorenie krídla v polohe otvorenia a zatvorenia je 2 sekundy. Ak potrebujete zmeniť oneskorenie, prejdite do rozšírených nastavení: Motor 2 (d0) a motor 1 (dC).

7. PROGRAMOVANIE

Pokročilý režim učenia (manuálne nastavenie pozície Soft Stop)

1. Stlačte a podržte tlačidlá „+“ a „-“ na 2 sekundy.
2. Spustí sa automatické učenie. LL bude počas celého procesu blikať na displeji.
3. Kridlo 2 sa pohybuje v smere **ZATVORIŤ**, kým nedosiahne tvrdý doraz, a zastaví sa.
4. Kridlo 1 sa pohybuje v smere **ZATVORIŤ**, kým sa nedosiahne tvrdý doraz, a zastaví sa na 2 sekundy.
5. Kridlo 1 štartuje v smere **OTVORIŤ** pri štandardnej rýchlosti.
6. Ak chcete definovať začiatok pozvoľného zastavenia pre kridlo 1 v smere **OTVORIŤ**, stlačte tlačidlo „P“ v požadovanom bode začiatku. Kridlo 1 sa bude otvárať, kým sa nedosiahne tvrdý doraz, a zastaví sa.
7. Kridlo 2 sa pohybuje v smere **OTVORIŤ** štandardnou rýchlosťou.
8. Ak chcete definovať začiatok pozvoľného zastavenia pre kridlo 2 v smere **OTVORIŤ**, stlačte tlačidlo „P“ v požadovanom počiatočnom bode. Kridlo 2 bude pokračovať v otváraaní, kým sa nedosiahne tvrdý doraz, zastaví sa na 2 sekundy a potom sa bude pohybovať v smere **ZATVORIŤ** predvolenou rýchlosťou.
9. Ak chcete definovať začiatok pozvoľného zastavenia pre kridlo 2 v smere **ZATVORIŤ**, stlačte tlačidlo „P“ v požadovanom počiatočnom bode. Kridlo 2 bude pokračovať v zatváraní, kým sa nedosiahne tvrdý doraz, a zastaví sa.
10. Kridlo 1 sa pohybuje v smere **ZATVORIŤ** predvolenou rýchlosťou.
11. Ak chcete definovať začiatok pozvoľného zastavenia pre kridlo 1 v smere **ZATVORIŤ**, stlačte tlačidlo „P“ v požadovanom počiatočnom bode. Kridlo 1 bude pokračovať v zatváraní, kým sa nedosiahne tvrdý doraz, a zastaví sa.
12. Fáza pokročilého učenia je ukončená. Na displeji sa zobrazí LL a po 3 sekundách sa doska vráti do pohotovostného režimu.

POZNÁMKA: Pri aplikácii s jedným motorom sa akcie „kridla 2“ nepoužívajú.

V režime pokročilého učenia sa programujú nasledujúce nastavenia:

1. Dĺžka dráhy z polohy **PLNÝ ZATVORIŤ** do polohy **PLNÝ OTVORIŤ**.
2. Sila otvárania a zatvárania pre každý motor.
3. Východiskové pozície mäkkých zarážok.
4. Oneskorenie kridla v polohe otvorenia a zatvorenia je 2 sekundy. Ak potrebujete zmeniť oneskorenie, prejdite do rozšírených nastavení: Motor 2 (d0) a motor 1 (dC).

POZNÁMKA: Ak chcete zastaviť fázu učenia, stlačte tlačidlo „S“. Proces učenia sa preruší, na LED displeji bude blikať „LE“. Po 5 sekundách sa na displeji zobrazí „LL“, čo znamená pripravenosť na opätovné spustenie fázy učenia.

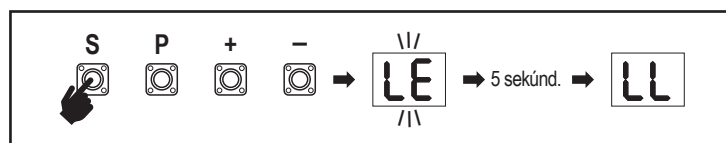
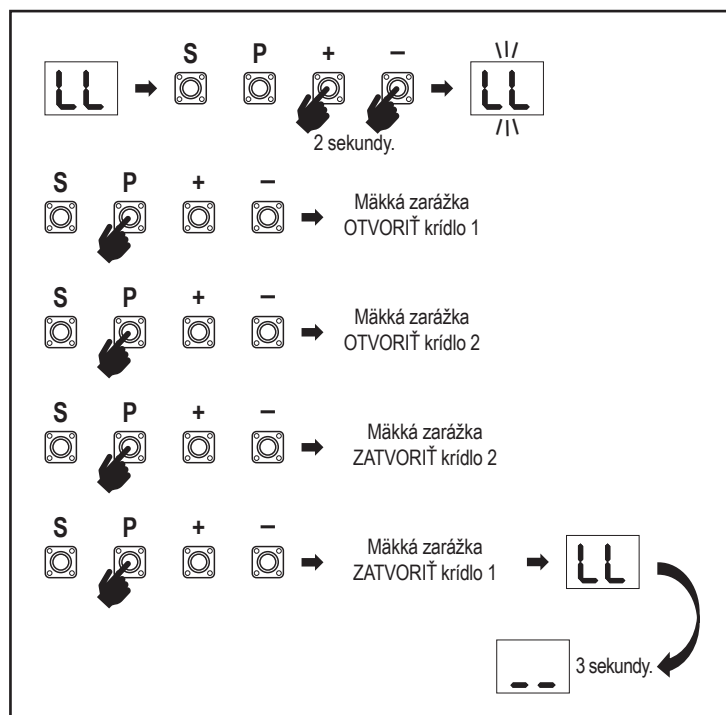
Ak proces učenia nebol dokončený, je potrebné ho zopakovať.

POZOR: Fáza učenia musí byť dokončená, aby sa umožnila prevádzka.

7.5 Pohotovostný režim

Po zapnutí radiacej dosky a dokončení programovania sa LED displej na 2 sekundy úplne rozsvieti a prejde do pohotovostného režimu. Počas pohotovostného režimu sa na LED displeji zobrazuje aktuálny stav brány.

	Dva motory (predvolené)	Jeden motor
Motor sa otvára, horná časť displeja bliká.		
Motor sa zastaví v otváracjej polohe, horná časť displeja je zapnutá.		
Motor sa zatvára, spodná časť displeja bliká.		
Motor sa zastaví v zatvorenej polohe, spodná časť displeja svieti.		
Motor sa zastaví v strede, stred displeja je zapnutý.		



Týmto sú základné nastavenia dokončené. Môžete opustiť programovanie a ovládať svoju bránu alebo pokračovať v rozšírených nastaveniach.

7. PROGRAMOVANIE

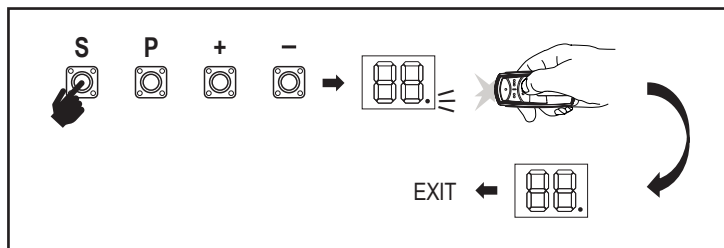
7.6 Programovanie a vymazávanie diaľkových ovládačov, rádiového príslušenstva a zariadení myQ

Programovanie zariadení diaľkového ovládania (vysielače a bezdrôtové nástenné ovládače):

POZNÁMKA: Diaľkové ovládače dodávané s operátorom sú už z výroby prednaučené na operátora (horné tlačidlo v blízkosti LED diódy) a nevyžadujú dodatočné programovanie.

1. Stlačte a uvoľnite tlačidlo „S“. Na displeji sa rozsvieti bod LED. Operátor zostane v režime rádiového programovania 3 minúty. Počas prvých 30 sekúnd sa dá naučiť akékoľvek rádiové prídavné zariadenie. Počas zostávajúcich 2,5 minúty sa môžu učiť len zariadenia myQ.
2. Vyberte požadované tlačidlo na vysielači a podržte ho, kým sa bodka na displeji nezhasne.

Ak chcete naprogramovať nový diaľkový ovládač, zopakujte postupnosť. Ak chcete naprogramovať bezdrôtovú klávesnicu, postupujte podľa príslušnej príručky k príslušenstvu.



Programovanie vysielača pri čiastočnom otvorení

Stlačte a podržte súčasne tlačidlá „S“ a „+“, kým nezačne blikať bod LED. Stlačením a podržaním požadovaného voľného tlačidla na vysielači naprogramujete režim čiastočného otvorenia.

Po skončení programovania sa bod LED vypne. Ak je ku kontaktu SPEC pripojené svetlo, raz zabliká.

Naprogramujte bránu myQ (828EV):

1. Pripojiť

Pripojte ethernetový kábel (1) dodaný s bránou k routeru (2). Použite zástrčku platnú pre vašu krajinu (nie všetky modely). Pripojte napájanie (3) k internetovej bráne (4). Keď sa internetová brána pripojí k internetu, zelená kontrolka (5) prestane blikať a začne svietiť trvalo. Pripojená sada IR je povinná pre prevádzku myQ.

2. Vytvorenie konta

Stiahnite si bezplatnú aplikáciu myQ z obchodu App Store alebo Google Play a vytvorte si konto. Ak už máte konto, použite svoje používateľské meno a heslo.

3. Registrácia internetovej brány

Po výzve zadajte sériové číslo, ktoré sa nachádza na spodnej strane internetovej brány.

4. Pridanie zariadení myQ

Ak chcete pridať pohon brány do zaregistrovanej brány, postupujte podľa pokynov v aplikácii. Pri pridávaní nového pohonu brány s funkciou myQ stlačte a uvoľnite tlačidlo „S“ na ovládacom paneli pohonu. Na displeji riadiacej dosky sa rozsvieti bod LED.

Poznámka: Po pridaní zariadenia sa na internetovej bráne zobrazí modrá kontrolka a zostane svietiť. Stlačením tlačidla „S“ na ovládacom paneli operátora ukončíte režim programovania rádia.

5. Test

Po správnej inštalácii a registrácii môžete otestovať nasledujúce funkcie: otvoriť alebo zatvoriť bránu, vyžiadať stav Brána otvorená alebo Brána zatvorená.

Ďalšie funkcie nájdete na stránke www.liftmaster.eu

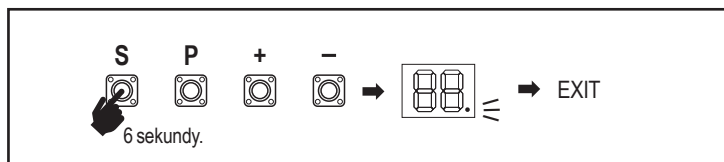
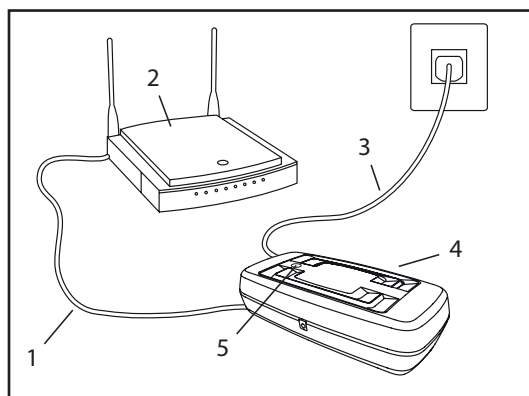
Vymažte rádiové ovládacie zariadenia (vysielače, bezdrôtové nástenné ovládače, bezdrôtové klávesnice):

Stlačte a podržte tlačidlo „S“ na >6 sekúnd. Všetky rádiové ovládacie zariadenia (vysielače, nástenné ovládače, klávesnice) sa vymažú. Bod LED na displeji sa vypne. Poznámka: Rádiové ovládacie zariadenia nie je možné vymazať jednotlivito.

Vymazať zariadenia myQ:

1. Najprv vymažte zariadenia diaľkového ovládania, ako je uvedené vyššie.
2. Počas nasledujúcich 6 sekúnd stlačte a podržte tlačidlo „S“. Na displeji sa rozsvieti bod LED.
3. Stlačte a podržte tlačidlo „S“ na >6 sekúnd. Všetky zariadenia myQ sú vymazané. Bod LED na displeji sa vypne.

POZNÁMKA: Zariadenia myQ nie je možné vymazať jednotlivito. Nie je možné vymazať iba zariadenia myQ.



7. PROGRAMOVANIE

Týmto začnete s Rozšírenými nastaveniami.

7.7 Rozšírené nastavenia

LED		Funkcia
	tr	Vysielač
	r1	Fotobunka IR1
	r2	Fotobunka IR2
	r3	Fotobunka IR3
	i1	Príkaz vstupu 1
	i2	Príkaz vstupu 2
	i3	Príkaz vstupu 3
	Pd	Len motor čiastočného otvorenia 1
	d0	Oneskorenie motora 2 v polohe OTVORIŤ
	dC	Oneskorenie motora 1 v ZATVORIŤ
	tC	Časovač do zatvorenia (TTC)
	rt	Čas zvratu po náraze
	EL	Elektrický zámok
	rb	Odľahčovací motor 1 pre elektrický zámok

LED		Funkcia
	FL	Blikajúce svetlo
	PF	Predbežné spustenie
	SP	Špeciálny kontakt
	St	Rýchlosť START v režime OTVORIŤ a ZATVORIŤ
	Cn	Počítadlo údržby
	PS	Heslo
	F1	Motor sily 1 v otvorenom stave (chránený PS)
	F2	Motor sily 1 v zatvorenom stave (chránený PS)
	F3	Motor sily 2 v otvorenom stave (chránený PS)
	F4	Motor sily 2 v zatvorenom stave (chránený PS)
	S1	Rýchlostné motory v režime OTVORIŤ (chránené PS)
	S2	Rýchlostné motory v ZATVORIŤ (chránené PS)
	SF	Rýchlosť SOFT – STOP v režime OTVORIŤ a ZATVORIŤ (chránené PS)
	Fd	Predvolené továrenské nastavenie
	FE	Dokončenie a ukončenie

7.7.2 Nastavenia vysielača

Funkcia vysielača definuje, ako pracujú príkazy vysielača.

Poznámka: Pri nastaveniach „01“, „02“ a „03“ sa časovač TTC prepíše príkazom vysielača a brána sa zatvorí.

Pri nastavení „04“ sa aktívne odpočítavanie časovača TTC znovu nastaví na spustenie príkazom vysielača.



	Rezidenčný režim: Otvoriť – Zatvoriť – Otvoriť
	Štandardný režim: Otvoriť – Zastaviť – Zatvoriť – Zastaviť – Otvoriť (predvolené)
	Automaticky s režimom Stop: Otvoriť – Zastaviť – Zatvoriť – Otvoriť
	Režim parkoviska: Otvoriť, dokončiť Otvorená pozícia. Dodatočný príkaz počas otvárania bude ignorovaný

7.7.3 Nastavenia infračervených fotobuniek

IR funkcie definujú režim fungovania infračervených fotobuniek (IR).

IR sa po inštalácii automaticky naučia.

Každý z 3 IR súprav možno naprogramovať samostatne.

POZNÁMKA: V závislosti od zvolených nastavení sa vstupy čiastočného otvorenia alebo príkazy diaľkového ovládania nevykonajú v smere OTVORENIA ani ZATVORENIA, ak je IR lúč zakrytý. Ak sú IR odstránené, napájanie riadiacej dosky sa musí dvakrát vypnúť/zapnúť, aby sa odpojilo.

Kontrolu a údržbu fotobuniek nájdete v príručke k fotobunkám.



	IR aktívne pri pohybe ZATVORIŤ. Ak je infračervený lúč zablokovaný, brána sa vráti do polohy úplne OTVORENÉ (predvolené nastavenie).
	IR aktívne pri pohybe OTVORIŤ. Ak je IR lúč zakrytý, brána sa zastaví. Keď prekážka zmizne, brána sa naďalej otvára.
	IR je aktívne pri pohybe OTVORIŤ a ZATVORIŤ. Ak je infračervený lúč pri pohybe ZATVÁRAŤ zablokovaný, brána sa zastaví a po zmiznutí prekážky sa brána vráti do polohy úplne OTVORENÉ. Ak je IR lúč pri pohybe OTVORIŤ zablokovaný, brána sa zastaví. Keď prekážka zmizne, brána sa naďalej otvára.
	IR aktívne pri pohybe ZATVORIŤ. Ak je infračervený lúč zablokovaný, brána sa vráti do polohy úplne OTVORENÉ. Aktivovaná funkcia TTC sa zruší 2 sekundy po odstránení prekážky lúča a začne sa pohyb ZATVORIŤ, ktorý nečaká na koniec času TTC.

7.7.4 Vstupné nastavenia



Funkcia Vstupy definuje spôsob vykonávania vstupných príkazov z externého príslušenstva. Každý z 3 vstupov možno naprogramovať samostatne.

POZNÁMKA: Pri nastaveniach „01“, „02“ a „03“ bude časovač TTC nadradený vstupnému príkazu a zatvorí bránu. Pri nastavení „06“ sa aktívne odpočítavanie časovača TTC znovu nastaví na spustenie vstupným príkazom.

7. PROGRAMOVANIE

01	Otvoriť – Zatvoriť – Otvoriť
02	Otvoriť – Zastaviť – Zatvoriť – Zastaviť – Otvoriť (predvolené)
03	Otvoriť – Zastaviť – Zatvoriť – Otvoriť
04	Len motor čiastočného otvorenia 1
05	STOP (NC kontakt)
06	Otvoriť, dokončiť pozíciu OTVORIŤ. Dodatočný príkaz Otvoriť počas otvárania bude ignorovaný
07	Zatvoriť, aby ste dokončili pozíciu ZATVORIŤ. Dodatočný príkaz ZATVORIŤ počas zatvárania sa bude ignorovať
08	Otvoriť – Stop – Otvoriť – Stop
09	Zatvoriť – Stop – Zatvoriť – Stop
10	Otvorte, podržte, aby ste spustili
11	Zatvorte, podržte a spustite

7.7.5 motor čiastočného otvorenia 1

Pd

Motor čiastočného otvorenia 1 umožňuje otvoriť aktívny list len na vopred nastavenú hodnotu.

POZNÁMKA: PRÍKAZ Pd bude fungovať od polohy ZATVORIŤ limit a počas zatváracieho pohybu. Ak sa príkaz Pd vykoná z úplnej polohy OTVORIŤ, brána sa zatvorí.

Príkaz Otvoriť alebo vysielateľ vždy potlačí príkaz Pd.

01	50 % úvodnej cesty
02	75 % otváracia dráha (predvolené nastavenie)
03	100% otvorenie cesty

1. Stlačte a podržte súčasne tlačidlá „S“ a „+“, kým nezačne blikať bod LED.
2. Stlačením a podržaním požadovaného voľného tlačidla na vysielateľ naprogramujete režim čiastočného otvorenia.
3. Po skončení programovania sa bod LED vypne. Ak je ku kontaktu SPEC pripojené svetlo, raz zabliká.

7.7.6 Oneskorenie motora 2 v otvorenom smere

do

Funkcia Oneskorenie motora 2 v smere OTVORIŤ definuje časové oneskorenie motora 2 v smere OTVORIŤ. Nie je k dispozícii pre aplikáciu s jedným motorom. Nevykonáva sa počas reverzácie alebo po prerušení IR lúča v oboch smeroch.

00	bez oneskorenia (obe krídla sa začnú otvárať súčasne)
01	1 sekunda
02	2 sekundy (predvolené nastavenie)
03	3 sekúnd
04	4 sekúnd

7.7.7 Oneskorenie motora 1 v smere zatvárania

dc

Funkcia Oneskorenie motora 1 v smere ZATVORIŤ definuje časové oneskorenie motora 1 v smere ZATVORIŤ. Nie je k dispozícii pre aplikáciu s jedným motorom. Nevykonáva sa počas reverzácie alebo po prerušení IR lúča v oboch smeroch.

00	bez oneskorenia (obe krídla sa spustia v rovnakom čase)
01	1 sekunda
02	2 sekundy (predvolené nastavenie)
...	... sekúnd
20	20 sekúnd

7.7.8 Časovač na zatvorenie

tc

Funkcia časovača zatvorenia (TTC) umožňuje automatické zatvorenie brány z úplnej polohy OTVORIŤ po uplynutí vopred nastaveného času. Na monitorovanie pohybu zatvárania je potrebné nainštalovať minimálne jeden pár infračervených fotobuniek (IR) LiftMaster, aby sa umožnila prevádzka TTC. TTC nebude fungovať, ak IR chráni iba otvárací pohyb.

TTC bude pracovať aj s aktivovaným čiastočným otvorením. Ak je funkcia TTC aktívna, časovač odpočítava čas a IR lúče sú prerušené, časovač TTC sa znovu spustí.

00	TTC nie je aktívny (predvolené nastavenie)	05	1 minúta
01	10 sekúnd	06	1,5 minúty
02	20 sekúnd	07	2 minút
03	30 sekúnd	08	3 minút
04	45 sekúnd	09	5 minút

7.7.9 Čas zvratu po náraze

rt

Funkcia času cúvania po náraze definuje správanie sa pri cúvaní po prekážke počas zatvárania alebo otvárania. Toto reverzné správanie platí pre detekciu sily motora aj pre aplikáciu bezpečnostnej hrany.

01	2 sekundy reverzácie a Stop
02	Návrat späť do koncovej polohy (predvolené)
03	Počas zatvárania sa brána po náraze vráti do polohy Otvorené. Počas pohybu Otvorenie sa brána pri náraze na 2 sekundy obráti a zastaví.

7.7.10 Nastavenia elektrického zámku/magnetického zámku

EL

Funkcia Elektrický zámok definuje správanie elektrického zámku/magnetického zámku. Možno pripojiť 24 V DC – 500 mA elektrický zámok alebo magnetický zámok.

00	elektrický zámok/magnetický zámok nie je nainštalovaný (predvolené nastavenie)
01	elektrický zámok aktívny 1 sekundu pred spustením motora 1 v otvorenom smere
02	elektrický zámok aktívny 2 sekundy pred spustením motora 1 v smere otvorenia
03	Magnetický zámok, trvalo aktívny pri zatvorenej bráne alebo trvalo neaktívny počas pohybu OTVORENÉ a ZATVORENÉ, poloha brány OTVORENÉ alebo STOP. Magnetický zámok sa v režime zálohovania batérie deaktivuje.

7. PROGRAMOVANIE

7.7.10a Odľahčovací motor 1 pre elektrický zámok



Odľahčovací motor 1 pre funkciu elektrický zámok umožňuje pred zapnutím elektrického zámku krátko zatlačiť motor 1 v smere ZATVORIŤ, aby sa uvoľnil nadmerný tlak na elektrický zámok.

Nie je k dispozícii, ak je funkcia EL nastavená na „00“ alebo „03“ (elektronický zámok nie je pripojený/magnetický zámok je pripojený).

00	deaktivované (predvolené)
01	1 sekunda aktivovaná
02	Aktivované 2 sekundy

7.7.11 Nastavenia blikajúceho svetla



Funkcia blikajúceho svetla umožňuje vybrať typ pripojenej blikajúcej lampy. 24 V DC – max. 500 mA Možno pripojiť blikajúcu lampu (FLA1 – LED).

00	nie je nainštalované žiadne blikajúce svetlo (predvolené)
01	nepretržité napájanie 24 V – pre blikajúce svetlo s vlastnou riadiacou doskou (FLA1 – LED)
02	prerušené napájanie 24 V – pre blikajúce svetlo bez vlastnej riadiacej dosky

7.7.11a Predbežné blikanie



Funkcia predblikania definuje časový interval predblikania blikajúceho svetla pred pohybom brány. Funkcia nie je aktívna, ak je funkcia blikajúcej lampy (FL) nastavená na „00“.

00	bez predflashovania (predvolené nastavenie)	03	3 sekúnd
01	1 sekunda	04	4 sekúnd
02	2 sekundy	05	5 sekúnd

7.7.15 Funkcie a nastavenie chránené heslom

7.7.15a Nastavenie hesla



Fáza učenia musí byť ukončená a pred vykonaním zmien funkcií chránených heslom, ako sú Sila a Rýchlosť, musí byť nastavené heslo. Na naprogramovanie hesla vyberte funkciu „PS“.

POZNÁMKA: „00“ nemožno použiť ako heslo. Používa sa len ako predvolené nastavenie.

Funkcie chránené heslom nie sú prístupné, ak nie je nastavené nové heslo. Na zmenu chránených funkcií bude po nastavení potrebné heslo.

Nastavenie nového hesla:

1. Vyberte funkciu „PS“ a stlačte tlačidlo „P“.
2. Na displeji bliká „00“.
3. Pomocou tlačidiel „+“ a „-“ nastavte nové heslo.
4. Stlačte tlačidlo „P“.
5. Nová nastavená hodnota hesla zostane na displeji 2 sekundy. Potom sa zobrazenie zmení na „PS“.

Heslo si zapíšte na miesto, kde ho neskôr nájdete.

7.7.12 Špeciálne nastavenia kontaktov



Funkcia špeciálneho kontaktu definuje čas aktivácie relé.

Na riadenie iných zariadení, napr. bezpečnostného osvetlenia, možno pripojiť 24 V max. 500 mA relé. Tu nastavený čas bude riadiť aj odpočítavanie diaľkového svetla myQ.

00	bez aktivácie (predvolené nastavenie)	05	1,5 minúty
01	15 sekúnd	06	2 minút
02	30 sekúnd	07	3 minút
03	45 sekúnd	08	4 minút
04	1 minúta	09	5 minút

7.7.13 Rýchlosť štartu v smere otvorenia a zatvorenia



Funkcia Rýchlosť štartu umožňuje zapnutie a vypnutie Soft – Start v smere OTVORIŤ a ZATVORIŤ.

00	deaktivované (predvolené)
01	Mäkký štart aktívny: motory sa budú zrýchľovať postupne, až kým nedosiahnu štandardné otáčky.
02	Ak je aktívny tvrdý štart, motory sa spustia bežnou rýchlosťou a počas prvej sekundy sa nebude brať do úvahy snímač sily.

7.7.14 Počítadlo údržby



Funkcia počítadla údržby umožňuje nastaviť interval údržby v cykloch.

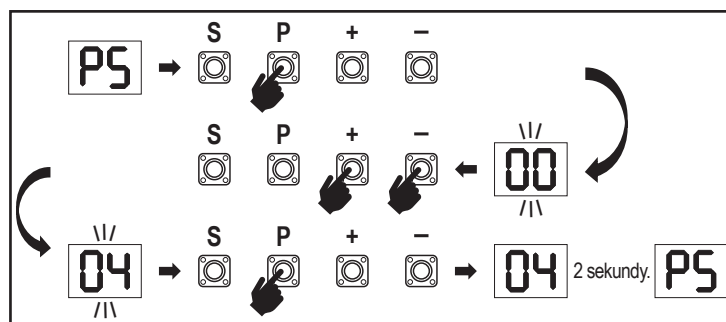
4 – sekundové blikanie blikajúcej kontrolky bude signálom, že sa dosiahol interval. Ak je aktívna funkcia PF (predblikanie), k nastavenému času sa pridá 4 – sekundové predblikanie. Na vynulovanie počítadla po vykonaní údržby stačí ešte raz naprogramovať cykly.

00	žiadne počítadlo (predvolené) cykly
01	1000 cyklov	20	20000 cyklov
02	2000 cyklov		

UPOZORNENIE

Akkoľvek zmeny vykonané vo funkciách chránených heslom (Sila a Rýchlosť) vyžadujú overenie rýchlostí a sily podľa EN 12453, EN 60335-2-103.

00	Nie je zvolené žiadne heslo (predvolené)
01 → 02 → → 99	Dostupný výber



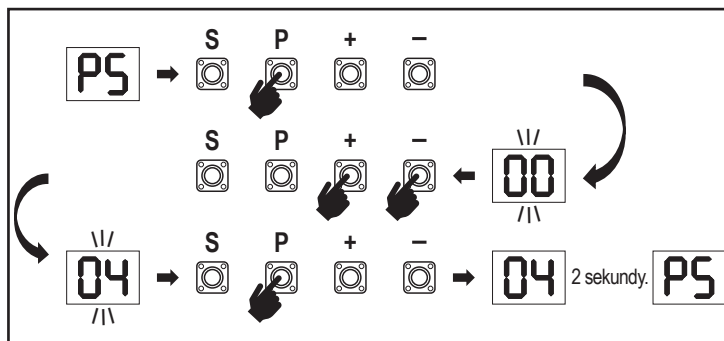
7. PROGRAMOVANIE

7.7.15b Používanie hesla

1. Vyberte funkciu „PS“ a stlačte tlačidlo „P“.
2. Na displeji bliká „00“.
3. Pomocou tlačidiel „+“ a „-“ zadajte správne heslo a stlačte tlačidlo „P“ na potvrdenie.
4. Ak je zadané správne heslo, na displeji sa na 2 sekundy zobrazí hodnota a zmení sa na „PS“.
5. Vyberte chránenú funkciu, ktorú chcete nastaviť.

POZNÁMKA: Ak zadané heslo nie je správne, „00“ bude blikáť 5 sekúnd, potom sa zmení na „PS“. Na prístup k chráneným funkciám použite správne heslo.

Pozor: Rozšírené nastavenia chránené heslom môže vykonať len vyškolený odborník. Požiadavky EÚ: EN 12453, EN 13241; Veľká Británia (Spojené kráľovstvo, Severné Írsko): Musia byť splnené požiadavky noriem BS EN 12453, BS EN 13241.

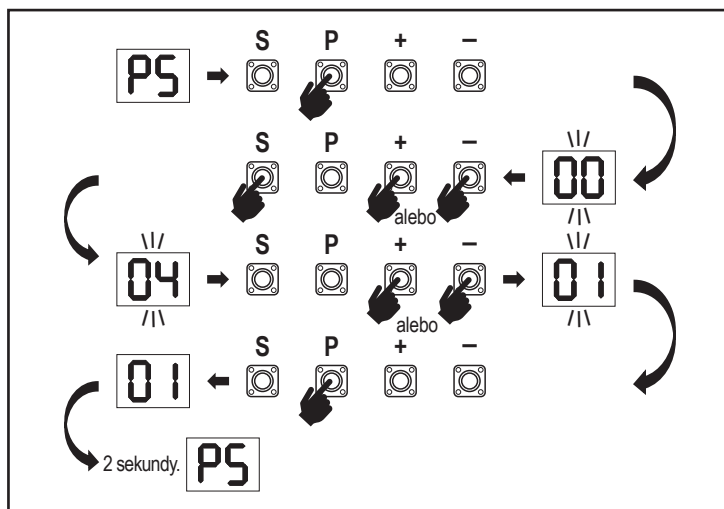


7.7.15c Zmena hesla

1. Vyberte funkciu „PS“ a stlačte tlačidlo „P“.
2. Na displeji bliká „00“.
3. Pomocou tlačidiel „+“ alebo „-“ zadajte aktuálne heslo a stlačte tlačidlo „S“. Hodnota začne blikáť.
4. Pomocou tlačidiel „+“ alebo „-“ zadajte NOVÉ heslo a stlačte tlačidlo „P“.
5. Zmenená hodnota hesla zostane na displeji 2 sekundy. Potom sa zobrazenie zmení na „PS“.

POZNÁMKA: Ak bolo zadané nesprávne (aktuálne) heslo, „00“ bude blikáť 5 sekúnd a zmení sa na „PS“. Heslo sa nemení.

Ak sa heslo stratí, použite funkciu Továrenske nastavenie (Fd) na návrat k predvoleným nastaveniam. Všetky nastavenia (okrem pamäte rádia) sa vymažú. Pozri stranu 18.



7.7.15d Motory sily 1 a 2 v smere otvárania a zatvárania

F1

Motor sily 1 v smere OTVORIŤ

Motor sily 1 v smere OTVORIŤ umožňuje nastavenie sily nad silou nastavenou počas fázy učenia. Pre prístup k tejto funkcii je potrebné zadať heslo.

00	Štandardná sila (predvolené nastavenie)	02	+30 %
01	+15 %	03	+50 %

Motor sily 1 v smere ZATVORIŤ

F2

Motor sily 1 v smere ZATVORIŤ umožňuje nastavenie sily nad silou nastavenou počas fázy učenia. Pre prístup k tejto funkcii je potrebné zadať heslo.

00	Štandardná sila (predvolené nastavenie)	02	+30 %
01	+15 %	03	+50 %

Motor sily 2 v smere OTVORIŤ

F3

Motor sily 2 v smere OTVORIŤ umožňuje nastavenie sily nad silou nastavenou počas fázy učenia. Pre prístup k tejto funkcii je potrebné zadať heslo.

00	Štandardná sila (predvolené nastavenie)	02	+30 %
01	+15 %	03	+50 %

Motor sily 2 v smere ZATVORIŤ

F4

Motor sily 2 v smere ZATVORIŤ umožňuje nastavenie sily nad silou nastavenou počas fázy učenia. Pre prístup k tejto funkcii je potrebné zadať heslo.

00	Štandardná sila (predvolené nastavenie)	02	+30 %
01	+15 %	03	+50 %

7.7.15e Otáčky motorov 1 a 2 v smere otvárania a zatvárania

S1

Otáčky motorov 1 a 2 v otvorenom smere

Otáčky motora 1 a 2 v smere OTVORIŤ umožňujú nastavenie rýchlosti otvárania v porovnaní s rýchlosťou nastavenou počas fázy učenia. Pre prístup k tejto funkcii je potrebné zadať heslo.

00	Štandardná rýchlosť (predvolená)	04	+50 %
01	+10 %	05	-10 %
02	+20 %	06	-20 %
03	+30 %		

7. PROGRAMOVANIE

Otáčky motorov 1 a 2 v smere zatvárania

S2

Otáčky motora 1 a 2 v smere ZATVORENIA umožňujú nastavenie rýchlosti zatvárania v porovnaní s rýchlosťou nastavenou počas fázy učenia. Pre prístup k tejto funkcii je potrebné zadať heslo.

00	Štandardná rýchlosť (predvolená)	04	+50 %
01	+10 %	05	-10 %
02	+20 %	06	-20 %
03	+30 %		

7.7.15f Rýchlosť jemného zastavenia

SF

Funkcia Soft – Rýchlosť zastavenia umožňuje nastavenie rýchlosti Soft – Stop v porovnaní s predvolenými hodnotami nastavenými počas fázy učenia. Rýchlosť Soft – Stop je 50 % štandardnej rýchlosti podľa predvoleného nastavenia. Štandardná zmena rýchlosti má vplyv na rýchlosť Soft – Stop. Pre prístup k tejto funkcii je potrebné zadať heslo.

00	Štandardná rýchlosť (predvolená)	04	-50 %
01	-10 %	05	+10 %
02	-20 %	06	+20 %
03	-30 %		

8. ZÁLOŽNÁ BATÉRIA

Režim zálohovania batérie

BU

2 voliteľné 12V, 2,2Ah olovené batérie SKU 490EV (voliteľné, nie sú súčasťou dodávky) možno namontovať do vnútra E – Boxu. Presný postup inštalácie nájdete v príručke SKU 490EV. Blikajúca kontrolka (ak je namontovaná) bude blikať 2 sekundy každých 10 minút, čo indikuje režim BBU a stratu napájania. Riadiaca doska sa prepne do pohotovostného režimu s aktívnym rádiovým prijímačom, ktorý prijíma len príkazy rádiového ovládacieho zariadenia. Všetko ostatné príslušenstvo a periférne zariadenia nebudú funkčné.

Keď je v režime zálohovania batérie, ovládanie smartfónu myQ a bezdrôtové zariadenia myQ budú vypnuté. Plne nabitá kapacita batérie musí umožniť až ~20 cyklov rýchlosťou 2 za hodinu. Po 24 hodinách režimu BBU musí batéria poskytnúť energiu na 1 úplný cyklus otvárania a zatvárania. Upozorňujeme, že je možné používať len uvedenú batériu. Použitie akejkoľvek inej batérie vedie k strate záruky a k strate zodpovednosti spoločnosti LiftMaster za akékoľvek súvisiace škody vyplývajúce z použitia nešpecifikovaných batérií.

9. KÓDY CHÝB

LED	Kód chyby	Vydanie	Možný dôvod	Riešenie
E0	E0	Stlačte vysielateľ, ale brána sa nepohybuje	AP je nastavený na 00	Skontrolujte, či je AP nastavený na 00. Ak áno, zmeňte správne nastavenie aplikácie.
E1	E1	Brána sa nezatvára, ale môže sa otvoriť.	1) IR1 nie je pripojený alebo je prerezaný vodič. 2) Vodič IR1 je skratovaný alebo spätne pripojený. 3) IR1 nie je na chvíľu zarovnaný alebo zablokovaný.	1) Skontrolujte, či nie je pripojený IR1 alebo či nie je prerezaný vodič. 2) Skontrolujte pripojenie IR1, v prípade potreby vymeňte vodiče. 3) Vyrovnajte IR vysielateľ a prijímač a uistite sa, že obidve LED diódy svietia, namiesto toho, aby blikali. Uistite sa, že na bráne nevisí nič, čo by mohlo spôsobiť blokovanie infračerveného žiarenia.
E2	E2	Brána sa môže zatvoriť, keď je na limite otvorenia, ale nemôže sa otvoriť, keď je na limite zatvorenia.	1) IR2 nie je pripojený alebo je prerezaný vodič. 2) Vodič IR2 je skratovaný alebo spätne pripojený. 3) IR2 nie je na chvíľu zarovnaný alebo zablokovaný.	1) Skontrolujte, či nie je pripojený IR2 alebo či nie je prerezaný vodič. 2) Skontrolujte pripojenie IR2, v prípade potreby vymeňte vodiče. 3) Vyrovnajte IR vysielateľ a prijímač a uistite sa, že obidve LED diódy svietia, namiesto toho, aby blikali. Uistite sa, že infračervenému žiareniu nič nebráni.
E3	E3	Stlačte vysielateľ, ale brána sa nepohybuje.	1) IR3 nie je pripojený alebo je prerezaný vodič. 2) Vodič IR3 je skratovaný alebo spätne pripojený. 3) IR3 nie je na chvíľu zarovnaný alebo zablokovaný.	1) Skontrolujte, či nie je pripojený IR3 alebo či nie je prerezaný vodič. 2) Skontrolujte pripojenie IR3, v prípade potreby vymeňte vodiče. 3) Vyrovnajte IR vysielateľ a prijímač a uistite sa, že obidve LED diódy svietia, namiesto toho, aby blikali. Uistite sa, že na bráne nevisí nič, čo by mohlo v krátkom čase spôsobiť blokovanie infračerveného žiarenia.
E4	E4	Stlačte vysielateľ, ale brána sa nepohybuje.	1) Bezpečnostný okraj nie je pripojený k rezistoru 8,2 kOhm. 2) Bezpečnostný vodič je skratovaný. 3) Bezpečnostný okraj je stlačený.	1) Skontrolujte, či je správne pripojená bezpečnostná hrana 8,2 kOhm alebo či je nainštalovaný rezistor 8,2 kOhm. 2) Skontrolujte vodiče bezpečnostného okraja a v prípade potreby ich vymeňte. 3) Skontrolujte, či je stlačený bezpečnostný okraj.

7.8 Predvolené výrobné nastavenie

Fd

Funkcia Továrnské nastavenie resetuje riadiacu dosku na pôvodné továrnske nastavenia. Všetky nastavenia vrátane nastavení limitov sa vymažú. Na LED displeji sa zobrazí „E0“. Naprogramované diaľkové ovládanie zostane naučené. Ak je potrebné vymazať príslušenstvo diaľkového ovládania, pozrite si príslušnú časť tejto príručky Programovanie rádiových ovládačov.

00	žiadny reset (predvolené nastavenie)
01	obnovenie predvolených továrnskych nastavení

7.9 Ukončenie a výstup

FE

Ukončenie fázy programovania a uloženie všetkých zmien, prejdite na funkciu FE a stlačte tlačidlo „P“. Riadiaca doska prejde do pohotovostného režimu a je pripravená na prácu.

Existujú aj iné spôsoby ukončenia programovania a uloženia nastavení:

- Stlačte a podržte tlačidlo „P“ na 5 sekúnd
- Po posledných zmenách v programovaní počkajte 3 minúty na automatické ukončenie

9. KÓDY CHÝB

LED	Kód chyby	Vydanie	Možný dôvod	Riešenie
E5	E5	Stlačte vysieláč, ale brána sa nepohybuje.	1) Prepínač STOP je otvorený.	1) Skontrolujte, či je spínač STOP otvorený alebo poškodený.
			2) Spínač STOP nie je pripojený.	2) Skontrolujte, či je vypínač STOP odpojený. Ak áno, potom znovu pripojte spínač STOP alebo zmeňte príslušné nastavenie vstupu na inú hodnotu.
E7	E7	Stlačte vysieláč, ale brána sa nepohybuje.	Zlyhal zosilňovač riadiacej dosky pre motor 1.	Vypnite napájanie na 20 sekúnd a resetujte, aby ste skontrolovali, či sa radiaca doska obnoví. Ak nie, vymeňte kontrolnú dosku.
E8	E8	Stlačte vysieláč, ale brána sa nepohybuje.	Zlyhal zosilňovač riadiacej dosky pre motor 2.	Vypnite napájanie na 20 sekúnd a resetujte, aby ste skontrolovali, či sa radiaca doska obnoví. Ak nie, vymeňte kontrolnú dosku.
E9	E9	Stlačte vysieláč, ale brána sa nepohybuje.	Chyba pamäte riadiacej dosky.	Vypnite napájanie na 20 sekúnd a resetujte, aby ste skontrolovali, či sa radiaca doska obnoví. Ak nie, vymeňte kontrolnú dosku.
F1	F1	Motor 1 zastaví a reverzuje počas otvárania alebo zatvárania.	Motor 1 je zablokovaný.	Skontrolujte a odstráňte prekážku. Čistá brána.
F2	F2	Motor 2 sa počas otvárania alebo zatvárania zastaví a reverzuje.	Motor 2 je zablokovaný.	Skontrolujte a odstráňte prekážku. Čistá brána.
F3	F3	Motor 1 zastaví a reverzuje počas otvárania alebo zatvárania.	Motor 1 sa zastavil alebo je poškodený snímač otáčok.	Skontrolujte, či sa motor 1 nezastavil alebo či nie je poškodený snímač otáčok.
F4	F4	Motor 2 sa počas otvárania alebo zatvárania zastaví a reverzuje.	Snímač otáčok motora 2 je poškodený.	Skontrolujte, či sa motor 2 nezastavil alebo či nie je poškodený snímač otáčok.
F5	F5	Stlačte vysieláč, ale motor nemá žiadnu činnosť.	Zlyhanie rádiového modulu.	Vypnite napájanie na 20 sekúnd a resetujte, aby ste skontrolovali, či sa radiaca doska obnoví. Ak nie, vymeňte kontrolnú dosku.
F6	F6	Reverzácia brány počas zatvárania.	Slabá batéria.	Nabíjanie batérie.
F7	F7	Stlačte vysieláč, ale brána sa nepohybuje.	Riadiaca doska je poškodená.	Vypnite napájanie na 20 sekúnd a resetujte, aby ste skontrolovali, či sa radiaca doska obnoví. Ak nie, vymeňte kontrolnú dosku.
F9	F9	Stlačte vysieláč alebo tlačidlo, ale motor nepracuje.	Ponuka AP sa obnoví na predvolené výrobné nastavenie.	Znovu sa naučte limity.
LE	LE	Motor sa náhle zastaví.	Počas učenia limitov stlačte tlačidlo C.	Znovu sa naučte limity.

10. TECHNICKÉ ÚDAJE

		AA250EVK			AA250EVK
Vstupné napätie	VAC	220 – 240	Externé napájanie príslušenstva		24 VDC – max. 500 mA
Vstupná frekvencia	Hz	50/60	Konektor svetelného zdroja		24 VDC – max. 500 mA
Napätie motora	VDC	24V	Elektrický zámok/magnetický zámok		24 VDC – max. 500 mA
„Spotreba v pohotovostnom režime (bez príslušenstva)“	W	3,2	Externé relé		24 VDC – max. 500 mA
Menovitý výkon motora	W	100 W (AA250 – 24P) 50 W (AA250 – 24S)	Bezpečnostný okraj		8,2 kOhm
			Max. počet IR		3
Menovité zaťaženie	Nm	72,4	Max. počet externých vstupov		3
Maximálny krútiaci moment	Nm	200	Záložná batériová jednotka		2 x 12V, 2,2Ah batérie model 490EV
Cykly za hodinu		10	Ochrana proti vniknutiu motora	IP	44
Maximálny počet cyklov za deň		30	Úroveň hluku	dB	< 70 db(A)
Max. šírka krídla/hmotnosť	m/kg	1,5 m/250 kg 2,0 m/200 kg 2,5 m/150 kg	Pracovná teplota	°C	- 20 °C až +55 °C
			Hmotnosť (súprava)	Kg	20
Maximálny uhol otvorenia		120°	Frekvencia vysieláča	TX4EVF	868 MHz
Čas do otvorenia na 90°	s	13 – 15			Odosielanie energie
Koncový limitný systém		Snímač s pevnými dorazmi	Batéria		
Prevádzková rádiová frekvencia	MHz	RX 433 MHz (433,30 MHz, 433,92 MHz, 434,54 MHz) RX 868 MHz (868,30 MHz, 868,95 MHz, 869,85 MHz) TX 865.125MHz, 865.829MHz, 866.587MHz			CR2032 3V
Odosielanie energie					<10 mW
Kód		Security+ 2.0			
Max. počet diaľkových ovládačov		180			
Max. počet klávesníc		4			
Max. počet zariadení myQ		16			

11. ÚDRŽBA

Výmena batérií v diaľkovom ovládači

Batéria diaľkového ovládania:

Batérie v diaľkovom ovládači majú mimoriadne dlhú životnosť. Ak sa prenosový rozsah zníži, je potrebné vymeniť batérie. Na batérie sa záruka nevzťahuje.

Dodržujte nasledujúce pokyny pre batériu:

S batériami by sa nemalo zaobchádzať ako s domovým odpadom. Všetci spotrebiteľia sú podľa zákona povinní správne likvidovať batérie na určených zberných miestach. Nikdy nenabíjajte batérie, ktoré nie sú určené na nabíjanie.

Nebezpečenstvo výbuchu!

Batérie uchovávajte mimo dosahu detí, neskratujte ich a nerozoberajte ich. V prípade prehltnutia batérie okamžite vyhľadajte lekára. Ak je to potrebné, vyčistite kontakty na batérii a zariadeniach pred naložením. Vybité batérie zo zariadenia okamžite vyberte!

Zvýšené riziko úniku!

Nikdy nevystavujte batérie nadmernému teplu, napríklad slnečnému žiareniu, ohňu a podobne!

Vzniká zvýšené riziko úniku!

Zabráňte kontaktu s pokožkou, očami a ústami. Časti zasiahnuté kyselinou z batérie opláchnite veľkým množstvom studenej vody a okamžite vyhľadajte lekára. Používajte len batérie rovnakého typu. Ak zariadenie dlhší čas nepoužívate, vyberte batérie.

Výmena batérie:

Ak chcete vymeniť batériu, otočte diaľkový ovládač a otvorte puzdro skrutkovačom. Zdvihnite kryt a nadvihnite radiaciu dosku pod ním. Posuňte batériu na jednu stranu a vyberte ju. Pozor na polaritu batérie! Zostavte ju znova v opačnom smere.

POZOR!

Nebezpečenstvo výbuchu pri nesprávnej výmene batérie. Výmena len za identický alebo ekvivalentný typ (CR2032) 3V.

POZOR

Nebezpečenstvo výbuchu v prípade výmeny batérie za nesprávny typ.

Neprehltajte batériu, nebezpečenstvo chemického popálenia.

Tento výrobok obsahuje mincovú batériu. Pri prehltnutí môžu gombíkové batérie spôsobiť poranenia alebo smrť.

VAROVANIE

- Batérie uchovávajte mimo dohľadu a dosahu detí, gombíkové/mincové batérie môžu byť pre deti nebezpečné.
- Použité gombíkové batérie okamžite zlikvidujte. Nepoužívajte poškodené/vyradené batérie.
- Pravidelne kontrolujte, či sú priestory pre batérie bezpečné, v prípade poruchy ich prestaňte používať.
- Ak mohlo dôjsť k prehltnutiu batérií alebo ich umiestneniu do akejkoľvek časti tela, okamžite vyhľadajte lekársku pomoc.



Pohonný mechanizmus

Pohonný mechanizmus je bezúdržbový. V pravidelných intervaloch (raz za mesiac) skontrolujte, či je kovanie brány a pohonný mechanizmus bezpečne upevnený. Uvoľnite pohon a skontrolujte, či brána správne funguje. Ak brána neprebíha hladko, nebude fungovať správne spolu s hnacím mechanizmom. Pohon nemôže odstrániť problémy spôsobené nesprávnou fungujúcou bránou.


Nastavenie koncového spínača a regulácia sily


Tieto nastavenia sa musia skontrolovať a správne vykonať počas inštalácie otvárača! V dôsledku poveternostných vplyvov môže počas prevádzky otvárača dôjsť k drobným zmenám, ktoré je potrebné riešiť novým nastavením. To sa môže stať najmä v prvom roku prevádzky. Dôsledne dodržiavajte pokyny na nastavenie limitov chodu a sily (pozri časť Fáza učenia limitov, strany 11 a 12) a po každom resetovaní opätovne skontrolujte automatický bezpečnostný reverz!

Demontáž

DÔLEŽITÉ UPOZORNENIE! Dodržiavajte bezpečnostné pokyny. Pozrite si „Bezpečnostné pokyny“ (strany 2 a 3). Postup opísaný v časti „inštalácia“, ale v opačnom poradí. Pokyny na nastavenie ignorujte.

12. LIKVIDÁCIA

 Naše elektrické a elektronické zariadenia sa nesmú likvidovať spolu s domovým odpadom a po použití sa musia riadne zlikvidovať v súlade so smernicou EÚ o odpade z elektrických a elektronických zariadení: 2012/19/EÚ; Veľká Británia Spojené kráľovstvo (Severné Írsko): SI 2012 č. 19 o odpade z elektrických a elektronických zariadení s cieľom zabezpečiť recykláciu materiálov. Separovaný zber elektroodpadu znamená ekologickú likvidáciu a pre spotrebiteľa je úplne bezplatný. Reg. č. WEEE v Nemecku: DE66256568. Obalový odpad, ktorý zostane u konečného spotrebiteľa, sa musí zbierať oddelene od zmiešaného odpadu v súlade so smernicou. Obaly sa nesmú likvidovať spolu s domovým odpadom, organickým odpadom alebo v prírode. Obalový materiál sa musí separovať podľa materiálu a vyhadzovať do poskytnutých recyklačných kontajnerov a do niektorých obecných recyklačných nádob.

 Naše batérie sa predávajú v súlade so zákonom. „Preškrtnutý odpadkový kôš“ znamená, že batérie sa nesmú vyhadzovať spolu s domovým odpadom. Batérie sú súčasťou výrobku (technické údaje). Aby sa predišlo poškodeniu životného prostredia alebo zdravia ľudí, použité batérie sa musia odovzdať na regulovanú likvidáciu v recyklačných centrách alebo v maloobchodných predajniach, ako to predpisuje zákon. Batérie sa môžu odovzdať na likvidáciu až po úplnom vybití a v prípade lítiových batérií s preplepenými vývodmi. Batérie sa dajú z nášho zariadenia ľahko vybrať a zlikvidovať. Registračné číslo v Nemecku: 21002670.

13. ZÁRUKA

Táto záruka výrobcu nemá vplyv na vaše zákonné práva. Záručné podmienky nájdete na stránke www.liftmaster.eu.

14. VYHLÁSENIE O ZHODE

Príručka sa skladá z tohto návodu na obsluhu a z vyhlásenia o zhode.

Typ rádiového zariadenia (TX4EVF) je v súlade so smernicou 2014/53/EÚ a pre Spojené kráľovstvo s nariadením o rádiových zariadeniach SI 2017 č. 1209.

Úplné znenie vyhlásenia o zhode EÚ je k dispozícii na tejto internetovej adrese: <https://doc.chamberlain.de>

KAZALO VSEBINE

OPOMBA: Izvirna navodila za namestitev in uporabo so bila sestavljena v angleškem jeziku. Vsak drug jezik, ki je na voljo, je prevod izvirne angleške različice.

1. VARNOSTNA NAVODILA IN PREDVIDENA UPORABA.....	2
2. OBSEG DOSTAVE.....	4
3. POTREBNA ORODJA.....	4
4. PREGLED NAPRAVE ZA UPRAVLJANJE VRAT.....	4
5. MEHANSKA NAMESTITEV.....	5
5.1 Dimenzije vrat in naprave za upravljanje.....	5
5.2 Določitev položaja nosilca na stebru.....	5
5.3 Namestitev nosilca na stebru.....	6
5.4 Namestitev upravljalnika in prilagoditev dolžine poti.....	6
5.5 Mehanizem za sprostitvev v sili.....	8
5.6 Namestitev nadzorne plošče in priključitev motorja.....	8
5.7 Priključitev napajanja.....	8
6. ELEKTRIČNI NAČRT.....	9
7. PROGRAMIRANJE.....	10
7.1 Zaslona, gumbi za programiranje in nastavitve funkcij.....	10
7.2 Splošni pregled programiranja.....	10
7.3 Smer premikanja krila.....	11
7.4 Osnovne nastavitve.....	11
7.4.1 Nastavitve uporabe.....	11
7.4.2 Nastavitve smernega motorja 1.....	11
7.4.3 Nastavitve smernega motorja 2.....	11
7.4.4 Priučitev omejitve.....	11
7.5 Način v pripravljenosti.....	12
7.6 Programiranje in brisanje daljinskih upravljalnikov, radijskih dodatkov in naprav myQ.....	13
7.7 Napredne nastavitve.....	14
7.7.1 Pregled naprednih nastavitvev.....	14
7.7.2 Nastavitve oddajnika.....	14
7.7.3 Nastavitve infrardečih fotocelic.....	14
7.7.4 Nastavitvevnosa.....	14
7.7.5 Motor za delno odpiranje 1.....	15
7.7.6 Zakasnitev motorja 2 v smeri odpiranja.....	15
7.7.7 Zakasnitev motorja 1 v smeri zapiranja.....	15
7.7.8 Časovnik zapiranja.....	15
7.7.9 Čas zamenjave smeri po udarcu.....	15
7.7.10 Nastavitve E-Lock / Mag-Lock.....	15
7.7.10a Sprostilni motor 1 za E-Lock.....	16
7.7.11 Nastavitve utripajoče luči.....	16
7.7.11a Predhodno utripanje.....	16
7.7.12 Nastavitve posebnih kontaktov.....	16
7.7.13 Začetna hitrost v smeri odpiranja in zapiranja.....	16
7.7.14 Števec vzdrževanja.....	16
7.7.15 Z geslom zaščitene funkcije in nastavitve.....	16
7.7.15a Nastavitve gesla.....	16
7.7.15b Uporaba gesla.....	17
7.7.15c Spreminjanje gesla.....	17
7.7.15d Motorja sile 1 in 2 v smeri odpiranja in zapiranja.....	17
7.7.15e Motorja hitrosti 1 in 2 v smeri odpiranja in zapiranja.....	17
7.7.15f Hitrost mehke zaustavitve.....	18
7.8 Privzete tovarniške nastavitve.....	18
7.9 Zaključek in izhod.....	18
8. AKUMULATORSKO REZERVNO NAPAJANJE.....	18
9. KODE NAPAK.....	18
10. TEHNIČNI PODATKI.....	19
11. VZDRŽEVANJE.....	20
12. ODLAGANJE.....	20
13. GARANCIJA.....	20
14. IZJAVA O SKLADNOSTI.....	20

1. VARNOSTNA NAVODILA IN PREDVIDENA UPORABA

O tem priročniku – izvorni priročnik

Ta navodila so izvorna navodila za uporabo v skladu z direktivo o strojih 2006/42/ES. Priročnik z navodili morate pozorno prebrati, da boste razumeli pomembne informacije o izdelku. Bodite pozorni na varnostna in opozorilna obvestila. Priročnik shranite na varnem kraju za poznejšo uporabo in da ga lahko zagotovitev vsem osebam, ki izvajajo preglede, servisiranje, vzdrževanje in popravila. Po namestitvi vso dokumentacijo izročite odgovorni osebi/lastniku.

Kvalifikacije pristojnega monterja

Pravilna namestitev in vzdrževanje, v skladu z navodili, se zagotovi samo s strani pristojnega monterja (strokovnjaka)/pristojnega podjetja, ki mora razumeti in zagotoviti varno in predvideno delovanje naprave. Strokovnjak je oseba, ki ima na podlagi svojega tehničnega usposabljanja in izkušenj dovolj znanja s področja električnih vrat ter pozna ustrezne državne predpise o varnosti pri delu in splošno sprejeta tehnološka pravila do te mere, da lahko oceni varne delovne pogoje električnih vrat v skladu z EN 13241, 12604, 12453 (EN12635).

Monter mora razumeti naslednje:

Pred namestitvijo pogona preverite, ali je gnani del v dobrem mehanskem stanju, se ustrezno odpira in zapira ter je pravilno uravnotežen, kjer je primerno.




Strokovnjak mora pred prvo uporabo in vsaj enkrat letno pregledati električna vrata glede njihovega varnega stanja. Monter mora po namestitvi zagotoviti, da je mehanizem ustrezno nastavljen in da zaščitni sistem ter morebitna funkcija ročne sprostitve pravilno delujeta (EN 13241, EN12604, EN 12453, EN 12635). Redno vzdrževanje in pregledovanje je treba izvajati v skladu s standardi. Monter mora podučiti ostale uporabnike o varnem delovanju pogonskega sistema.

Odgovorni monter po uspešni namestitvi pogonskega sistema v skladu z Direktiva o strojih 2006/42/ES: Izjavo o skladnosti ZK za sistem vrat. CE. To je obvezno tudi v postopku naknadne vgradnje na ročno upravljanih vratih. Poleg tega je treba izpolniti dokumentacijo o predaji in kontrolno knjigo.

Preberite navodila za uporabo, predvsem previdnostne ukrepe. Pred navodili so navedeni naslednji znaki, da se preprečijo telesne poškodbe ali materialna škoda. Ta navodila pozorno preberite.

Opozorilni znaki

Splošni opozorilni simbol označuje nevarnost, ki lahko povzroči telesne poškodbe ali smrt. V besedilnem delu so splošni opozorilni simboli uporabljeni, kot je opisano spodaj.

Simbol NEVARNOST	Simbol OPOZORILO	Simbol PREVIDNO	Simbol POZOR
 NEVARNOST	 OPOZORILO	 PREVIDNO	POZOR
Označuje nevarnost, ki neposredno povzroči smrt ali hude telesne poškodbe.	Označuje nevarnost, ki lahko povzroči smrt ali hude telesne poškodbe.	Označuje nevarnost, ki lahko povzroči poškodbe ali uničenje izdelka.	Označuje nevarnost, ki lahko povzroči poškodbe ali uničenje izdelka.

Predvidena uporaba

Naprava za upravljanje nihajnih vrat je zasnovana in preskušena izključno za upravljanje gladko tekočih nihajnih vrat v stanovanjskem, nekomercialnem sektorju.

Specifikacije vrat so opredeljene v skladu z mehanskimi zahtevami v skladu z EN12604.

Največje dopustne velikost vrat in največje teže se ne sme preseči. Vrata se morajo gladko ročno odpirati in zapirati. Napravo za upravljanje uporabljajte na vratih, ki so v skladu z veljavnimi standardi in smericami. Ob uporabi vratnih kril je treba upoštevati regionalne pogoje ali obremenitve zaradi vetra, EN13241. Upoštevajte specifikacije proizvajalca glede kombinacije vrat in naprave za upravljanje. Morebitnim nevarnostim v smislu EN13241 se je treba izogniti z zasnovo in namestitvijo vrat v skladu z ustreznimi navodili. Ta vratni mehanizem je treba namestiti in uporabljati v skladu z ustreznimi varnostnimi pravili.

Neustrezna uporaba

Ni predvideno za stalno uporabo in uporabo v komercialnem okolju.

Konstrukcija pogonskega sistema ni zasnovana za upravljanje vrat, ki ni v skladu s specifikacijami proizvajalcev.

Uporaba na vratih, ki se premikajo navkreber/navzdol, ni dovoljena.

Vsaka nepravilna uporaba pogonskega sistema lahko poveča nevarnost nesreč. Proizvajalec ne prevzema odgovornosti za takšno uporabo. S tem pogonom morajo avtomatska vrata ustrezati trenutnim veljavnim mednarodnim in državnim/lokalnim standardom, smericam in predpisom (EN 13241, EN12604, EN 12453).

Na pogon lahko priključite le dodatke LiftMaster in odobrene dodatke. Nepravilna namestitev in/ali neizpolnjevanje naslednjih navodil lahko povzroči hude telesne poškodbe ali materialno škodo.

Sistemi vrat, ki so na javnih krajih in imajo samo omejevanje sile, se lahko uporabljajo le pod popolnim nadzorom.

Razmisliti je treba o dodatnih varnostnih napravah v skladu z EN 12453.

1. VARNOSTNA NAVODILA IN PREDVIDENA UPORABA

Vrata med delovanjem v nobenih okoliščinah ne smejo ovirati javnih poti in cest (javnega območja).

Ob uporabi orodja in majhnih delov med nameščanjem ali popraviljem vrat bodite previdni in ne nosite prstanov, ur ali ohlapnih oblačil.

Za preprečitev hudih telesnih poškodb zaradi ujetja odstranite zaklepno napravo, ki je morda nameščena na vratih, da preprečite poškodbe vrat.

Namestitev in električna napeljava morata biti v skladu z lokalnimi gradbenimi predpisi in predpisi o električnih inštalacijah. Napajalne kable se lahko priklopi izključno v ustrezno ozemljen vir.

Pred namestitvijo, vzdrževanjem, popravili ali odstranitvijo pokrovov izklopite električno napajanje. Zagotovljena mora biti odklopna naprava za omrežno napajanje (stalna žična namestitev), da se zagotovi odklop vseh polov (izolacijsko stikalo ali ločena varovalka). Popravila in električne napeljave lahko izvaja samo pooblaščen električar. Na podlagi ocene tveganja je treba namestiti gumb za zaustavitev v sili za uporabo v nujnih primerih.

Zagotovite, da preprečite ujetje med gnanim delom in okoliškimi nepremičnimi deli zaradi odpiranja gnanega dela, tako da upoštevate ustrezne varnostne razdalje v skladu z : EN 13241, EN12604, EN 12453, EN 12635 in/ali z varnostnimi napravami (npr. varnostni rob).

Preskušanje varnostne funkcije pogonskega sistema je priporočljivo izvesti vsaj enkrat na mesec. Glejte tudi navodila proizvajalcev komponent sistema vrat.

Po namestitvi je treba izvesti končni preskus celotnega delovanja sistema in varnostnih naprav in vse uporabnike je treba poučiti glede delovanja in uporabe naprave za upravljanje nihajnih vrat.

Sistemi vrat morajo izpolnjevati zahteve glede omejitve sile v skladu z EN 12453, EN 60335-2-103.

Na podlagi sprememb sistema je treba razmisliti o dodatni varnostni napravi (varnostnem robu) v skladu s standardom.

Pomembno je zagotoviti, da vrata vedno gladko tečejo. Vrata, ki se težko premikajo ali zatikajo, je treba takoj popraviti. Za popravilo vrat prosite usposobljenega tehnika; nikoli jih ne popravljajte sami. Ta naprava ni predvidena za uporabo s strani oseb (vključno otrok) z omejenimi fizičnimi, čutnimi ali duševnimi sposobnostmi oziroma pomanjkanjem izkušenj ali znanja, razen če so pod nadzorom osebe, ki je odgovorna za njihovo varnost, oziroma so prejela navodila o uporabi naprave. Po potrebi je treba opremo za upravljanje NUJNO namestiti znotraj vidnega polja od vrat in izven dosega otrok. Otroci morajo biti pod nadzorom, da se zagotovi, da se ne igrajo z napravo. Otrokom ne dovolite pritisniti na gumbe ali daljinski upravljalnik. Zloraba sistema za upravljanje vrat lahko povzroči hude telesne poškodbe.

Na dobro vidna mesta je treba namestiti opozorilne znake.

Napravo za upravljanje vrat je dovoljeno uporabiti SAMO, če lahko uporabnik vidi celotno območje vrat, da je zagotovljeno, da v njem ni ovir in je naprava za upravljanje vrat pravilno nastavljena. Med premikanjem vrat se skozi njihovo območje ne sme premakniti nobena oseba. Otrokom ne dovolite igranja v bližini vrat.

Popolna zaščita pred morebitnim stiskanjem ali ujetjem mora delovati takoj po namestitvi pogonskih rok.

Morda obstajajo obstoječe nevarnosti na mehanskih delih, električni napeljavi ali zapiralnih robovih vrat zaradi stiskanja, udarnih točk:

- Odpoved konstrukcije, listje, tečajji, pritrdilni elementi, elementi za omejitev premikanja, obremenitev zaradi vetra
- Stiskanje, območje tečajjev, pod vrati, varnostna razdalja do nepremičnega predmeta
- Napaka na elektriki (krmiljenje – napake v varnostnih sistemih)
- Udarec, območje odpiranja, držanje za delovanje, omejitev sile, zaznavanje prisotnosti

Izvesti je treba primerne ukrepe za zagotovitev varnega delovanja sistema vrat v skladu s standardi.

Poškodovanega pogona nikoli ne zaženite.

Ročno sprostitve uporabite le za odklop pogona in – po možnosti – SAMO, kot os vrata zaprta. Uporaba ročne sprostitve v sili lahko povzroči nenadzorovano premikanje vrat. Funkcija časovnika zapiranja (TTC) in myQ Smartphone Control sta primera nenadzorovanega delovanja vrat.

Vsaka naprava ali funkcija, ki omogoča zapiranje vrat, kot ta niso v vidnem polju, velja za nenadzorovano odpiranje/zapiranje.

Funkcija časovnika zapiranja (TTC) myQ Smartphone Control in vse druge naprave myQ se lahko aktivirajo SAMO, če so nameščene fotocelice Liftmasters (TTC deluje samo v smeri zapiranja). Vrata se lahko uporabljajo samo, ko so v vašem neposrednem vidnem polju.

POMEMBNE INFORMACIJE!



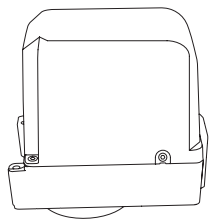
- Ta postopek je potreben tudi za zasebne namestitve (nove ali naknadne na ročno upravljanih vratih).
Ta priročnik za namestitev in uporabo mora obdržati uporabnik.
- Proizvajalec ne prevzame nobene odgovornosti/garancijskih zahtevkov, ki izhajajo iz nepredvidene uporabe, po izteku garancije.
- Pravno sredstvo je izključna odgovornost v zvezi z vsemi povezanimi pravicami.

OPOMBA: Upoštevajte priročnik za namestitev in uporabo.

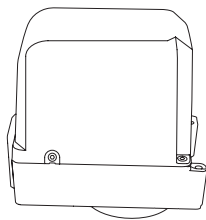
- Vedno spremljajte delovanje sistema in v primeru napačnega delovanja takoj odpravite vzrok.
- Izvedite letni pregled sistema. Pokličite strokovnjaka.
- Upoštevati je treba varnostne razdalje med vratnimi krili in okoljem v skladu z ustreznimi standardi.
- Napravo za upravljanje se lahko namesti samo na stabilna in trdna vratna krila. Vratna krila se med odpiranjem in zapiranjem ne smejo upogibati ali ukrivljati.
- Poskrbite, da so nameščeni tečajji vratnih kril in ustrezno delujejo ter ne ustvarjajo ovir.
- Namestitev dveh naprav za upravljanje na isto vratno krilo je strogo prepovedana.

2. OBSEG DOSTAVE

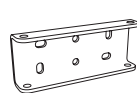
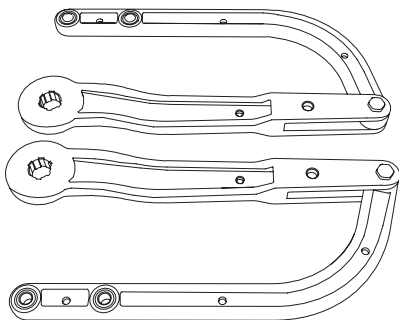
AA250EVK



Primarna enota
z nadzorno ploščo



Sekundarna
enota



Nosilec za
montažo na
stebler (2x)



Nosilec za montažo
na vrata (2x)



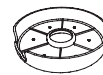
Obroček (2)



Obročni zatič
(2x)



Vijak in matica
(4x)



Pokrov (2x)



Vijak in
podložka (2x)



Blažilnik napetosti
4 x M16
2 x M20



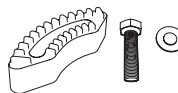
Zakovice (6x)



Daljinski
upravljalnik (2x)



Ključ za
sprostitvev (4x)

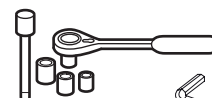
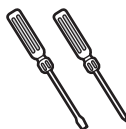
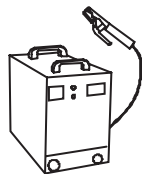
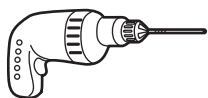


Trdi omejevalniki (4x)
Vijaki + podložke (4x)



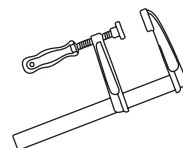
Priročnik za
namestitvev

3. POTREBNA ORODJA

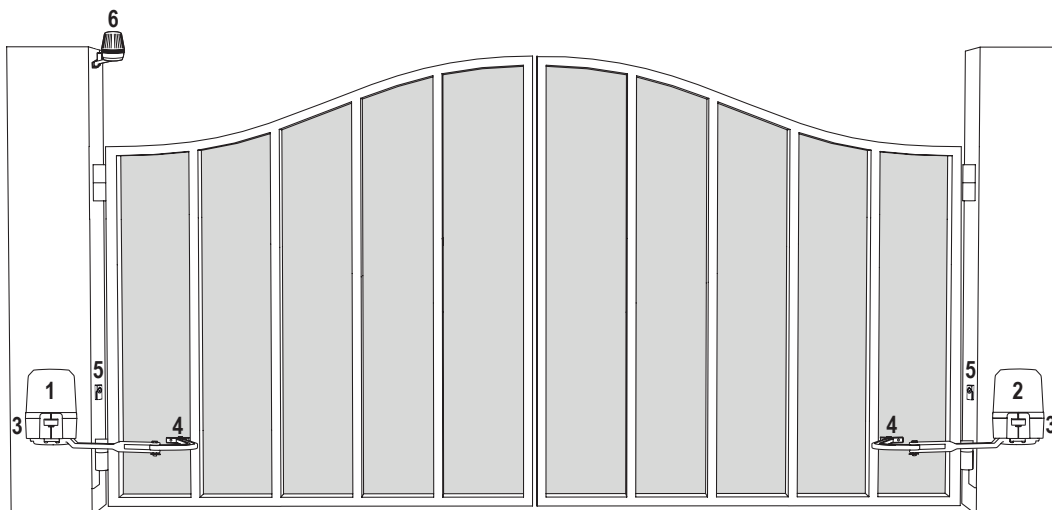


13, 14 mm

6 mm



4. PREGLED NAPRAVE ZA UPRAVLJANJE VRAT



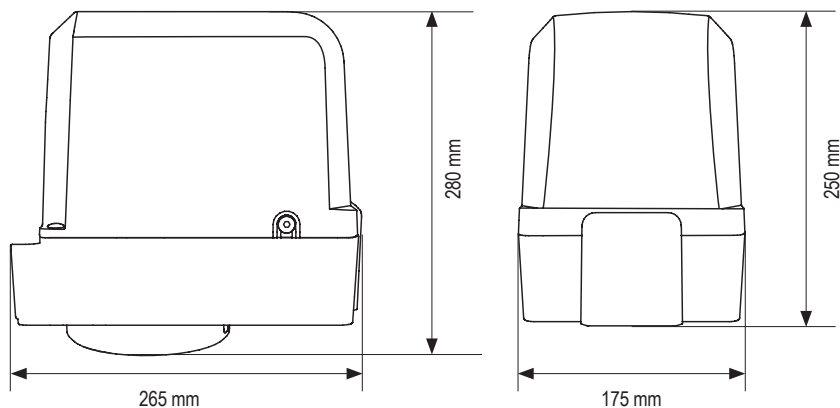
1. Motor 1 z nadzorno ploščo
2. Motor 2
3. Nosilec na steburu (skrit)
4. Nosilec na vratih
5. Infrardeče fotocelice
6. Utripajoča luč

5. MEHANSKA NAMESTITEV

Zdaj lahko začnete z mehansko namestitvijo naprave za upravljanje vrat.

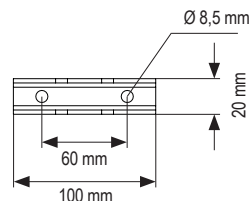
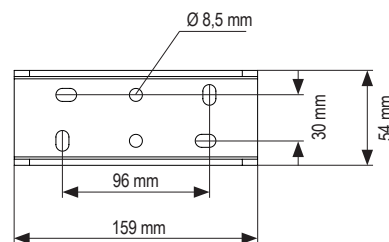
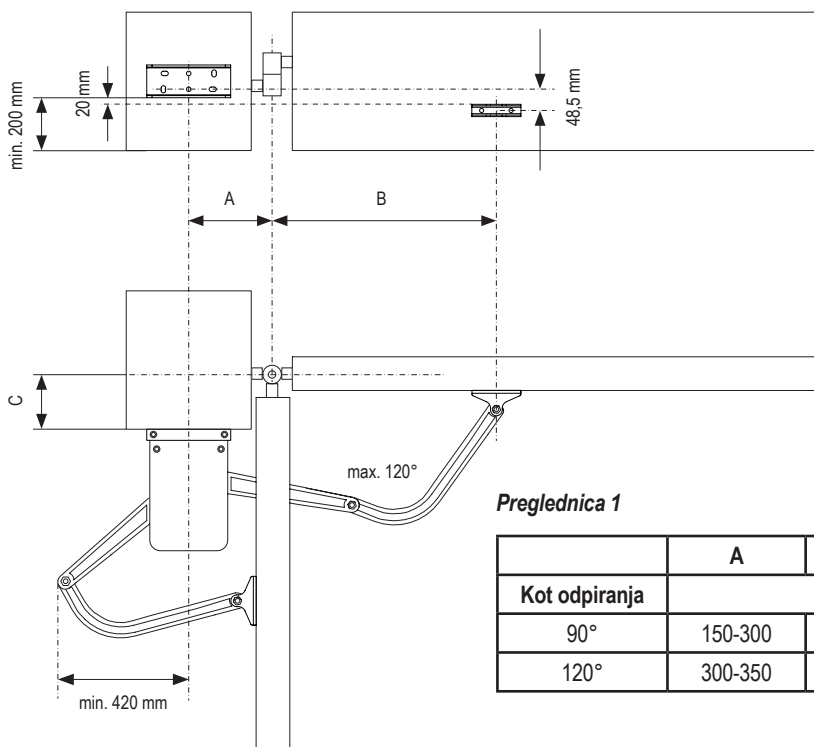
5.1 Dimenzije vrat in naprave za upravljanje

AA250EVK



AA250EVK	
1,5 m	250 kg
2,0 m	200 kg
2,5 m	150 kg

Primer namestitve



Preglednica 1

	A	B	C
Kot odpiranja	mm		
90°	150-300	390-540	0-300
120°	300-350	300-350	0-25

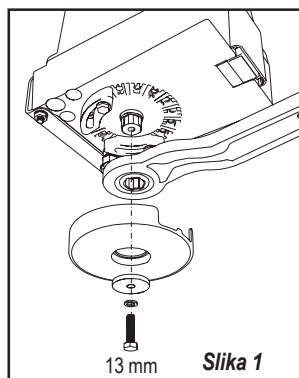
5.2 Določitev položaja nosilca na stebri

1. Določite dimenzije A, B in C glede na kot odpiranja, naveden v Preglednici 1, da ugotovite mesto namestitve nosilca na stebri.

OPOMBA: Vse točke stiskanja morajo biti zavarovane z zaščito pred ujetjem v skladu z EU: EN 12453, EN 60335-2-103; GB (UK, NI): BS EN 12453, BS EN 60335-2-103.

Namestitev roke naprave za upravljanje

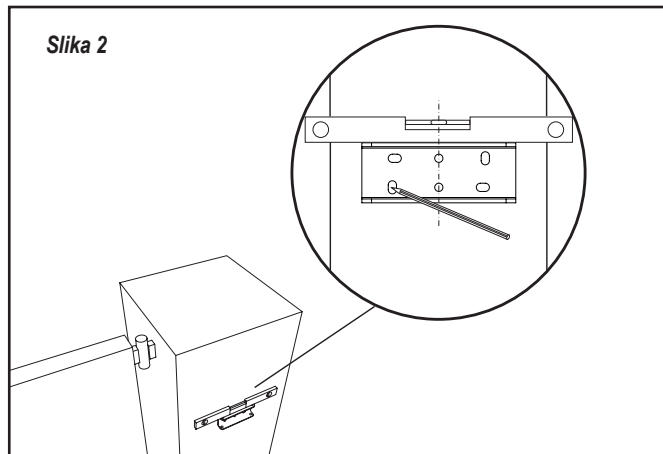
1. Roko motorja s spodnje strani pritrđite na sredino naprave za odpiranje.
2. Pritrdite pokrovčke z vijakom in podložko.



5. MEHANSKA NAMESTITEV

5.3 Namestitev nosilca na steburu

1. Z uporabo nosilca na steburu kot šablone označite in izvrtajte luknje za nosilec na steburu.
2. Pritrdite nosilec na steburu z uporabo ustreznega pritrdilnega materiala glede na obstoječo konstrukcijo (gradbeni material). Posvetujte se s proizvajalcem vrat.
3. Reže na nosilcu na steburu omogočajo poravnavanje. Ko je nosilec na steburu poravnán, zategnite matice.



OPOMBA: V primeru opečnatih ali betonskih stebrov uporabite ustrezne moznike in vijake. Ohranite ustrezno razdaljo do robov stebra.

V primeru kovinskih stebrov upoštevajte debelino stebra in nosilec privarite ali privijte neposredno na stebur.

V primeru lesenih stebrov uporabite ustrezne vijake in ojačevalne ploščice, če so potrebne. Previdno: Pritrjeni nosilci se po namestitvi in med delovanjem ne smejo zrahljati.

5.4 Namestitev upravljalnika in prilagoditev dolžine poti

1. Poravnajte luknje na napravi za upravljanje z luknjami na nosilcu na steburu in ju povežite z vijaki in maticami (glejte sliko 3.a).
2. Povežite roko z gredjo enote motorja (glejte sliko 3.b). Če nameravate namestiti trde omejevalnike naprave za upravljanje, plastičnega zaščitnega pokrova še ne namestite.
3. S ključem za sprostitev sprostite meč naprave za upravljanje (glejte sliko 4 na strani 7).
4. Vratno krilo postavite v zaprt položaj.

OPOMBA: Sistem mora delovati z zunanjimi trdimi omejevalniki vrat ali naprave za upravljanje v obeh smereh.

5.4.1 Namestitev z zunanjimi trdimi omejevalniki: (trdi omejevalniki vrat so že nameščeni)

- a. Nosilec na vratih postavite v zeleni povsem zaprti položaj, kot prikazuje slika 3.c. Začasno ga pritrdite na krilo vrat in povežite z roko naprave za upravljanje, pri čemer upoštevajte dimenzije A, B in C iz preglednice 1.
- b. Ročno odprite in zaprite vrata v zahtevane položaje. Prepričajte se, da se roka naprave za upravljanje ne zatika in se vrata gladko premikajo.
- c. Trajno pritrdite nosilec na vratih v izbranem pravilnem položaju.

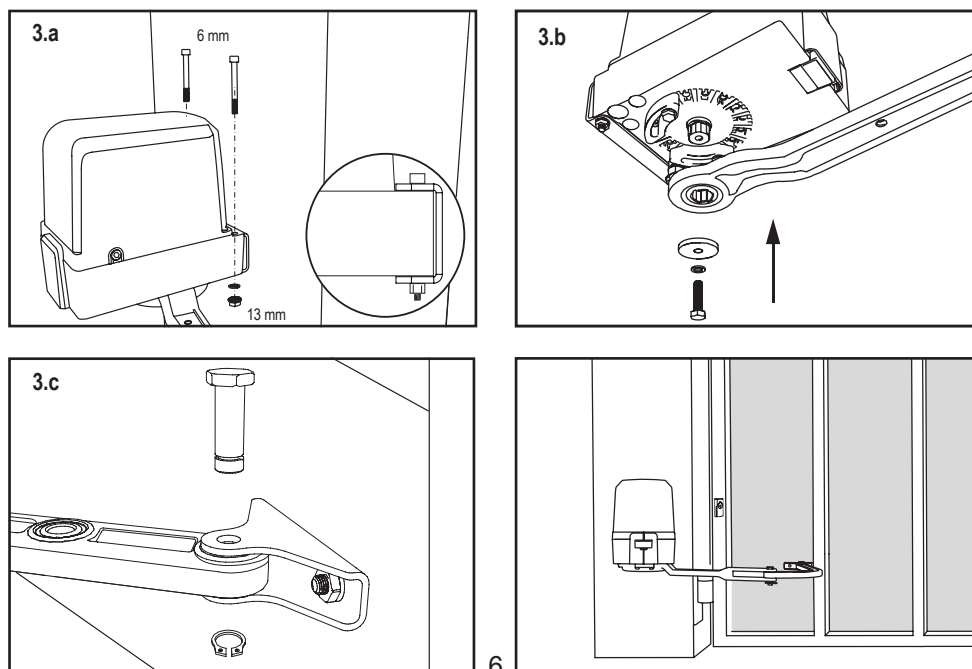
5.4.2 Namestitev s trdimi omejevalniki naprave za upravljanje (trdi omejevalniki vrat niso nameščeni)

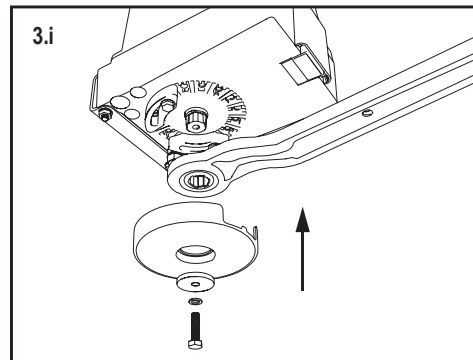
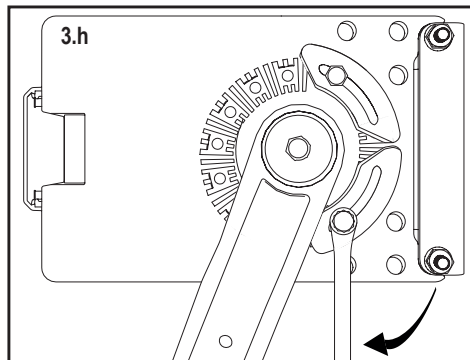
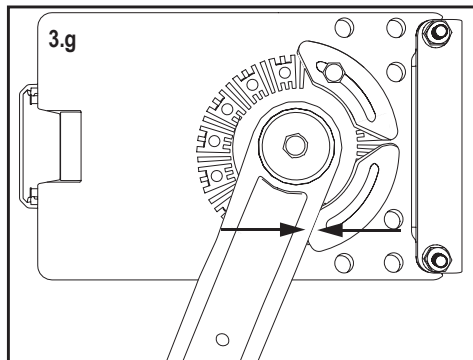
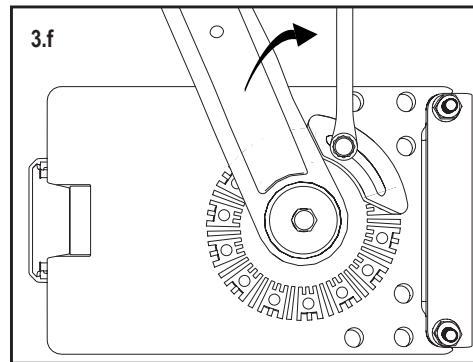
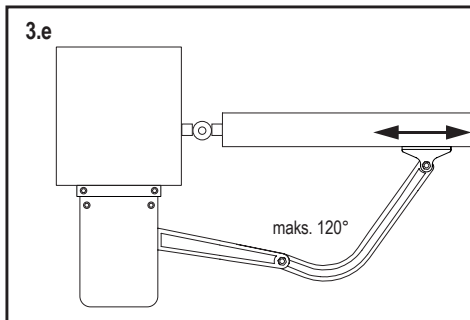
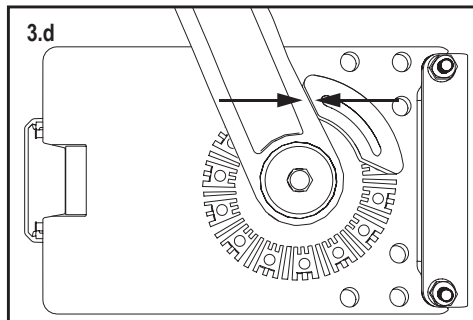
- a. Nosilec na vratih postavite v zeleni povsem zaprti položaj, kot prikazuje slika 3.c. Začasno ga pritrdite na vratno krilo (ne pritrdite ga dokončno na vratno krilo, da omogočite prilagajanje) in ga povežite z roko naprave za upravljanje, pri čemer upoštevajte dimenzije A, B in C in preglednice 1.
- b. Ročno odprite in zaprite vrata v zahtevane položaje. Prepričajte se, da se roka naprave za upravljanje ne zatika in se vrata gladko premikajo.
- c. Pritrdite trdi omejevalnik naprave za upravljanje za položaj „zaprt“ čim bližje roki (glej sliko 3.d).
Držite vratno krilo v zelenem položaju „zaprt“ in prilagodite položaj nosilca na vratih, tako da roka pritiska na trdi omejevalnik v položaju „zaprt“ (glejte slike 3.e in 3.f).
- d. Trajno pritrdite nosilec na vratih v izbrani pravilni položaj.
- e. Odprite vrata v ustrezen položaj „odprto“ in pritrdite trdi omejevalnik naprave za upravljanje za položaj „odprto“ čim bližje roki (glejte slike 3.g in 3.h).
- f. Namestite zaščitni pokrov na dno naprave za upravljanje (glejte sliko 3.i).

4.3 Dovoljena je kombinacija trdih omejevalnikov naprave za upravljanje in vrat. Izvedite ustrezen postopek namestitve, opisan zgoraj.

5. Ponovite postopek za enoto na nasprotni strani.

Slika 3



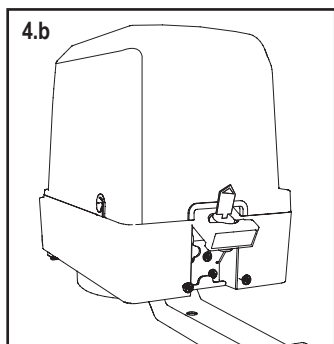
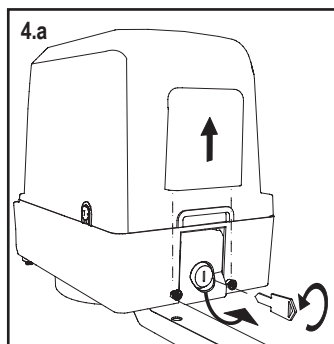


5.5 Mehanizem za sprostitve v sili

Za deaktiviranje mehanizma za sprostitve odstranite plastičen pokrov, vstavite ključ in ga obrnite za 90°.

Meč povlecite navzgor (glejte sliko 4). Za ponovno aktiviranje mehanizma za sprostitve potisnite meč navzdol in obrnite ključ za 90°.

Slika 4



NAMESTITEV

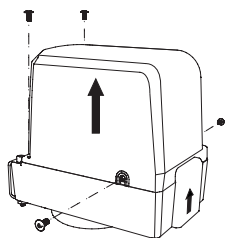
5.6 Namestitev nadzorne plošče in priključitev motorja

Krmilna plošča je vnaprej nameščena v primarni enoti in povezana s priključki motorja 1.

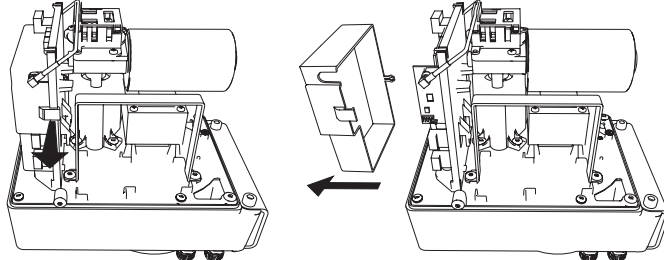
Za pridobitev dostopa do krmilne plošče v primarni enoti sprostite 2 vijaka ob straneh pokrova in 2 vijaka na zadnji strani primarne enote (glejte sliko 5).

Priključki za ožičenje dodatkov so neposredno dostopni. Za pridobitev dostopa do gumbov za programiranje odstranite prozoren plastičen pokrov, po zaključku programiranja pa ga znova namestite (glejte sliko 6). Odstranite pokrov sekundarne enote na isti način kot pokrov primarne enote, da pridobite dostop do priključka za ožičenje motorja (glejte sliko 7).

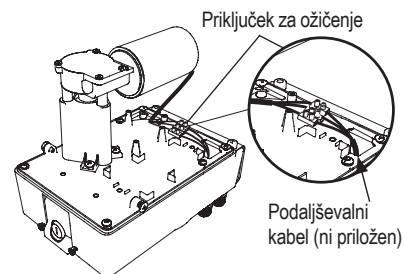
Slika 5 Odstranjevanje pokrova



Slika 6 Primarna enota



Slika 7 Sekundarna enota



V skladu s privzetimi nastavitvami se šteje, da je primarna enota nameščena na levi (če gledate z notranje proti zunanji strani), sekundarna enota pa na desni.

Če je primarna enota nameščena na desni in sekundarna enota na levi, spremenite nastavitve funkcij «d1» in «d2».

Priključitev motorja 1

OPOMBA: Naprava za upravljanje, priključena v priključek MOTOR 1, se vedno odpira prva in zapira zadnja.

Navedeno upoštevajte pri osnovnih in naprednih nastavitvah (glejte razdelek Programiranje).

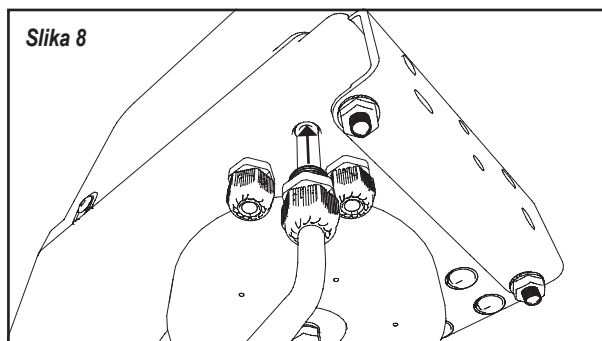
Primarna enota je že vnaprej priključena v priključke MOTOR 1. Dodatni koraki v zvezi s priključitvijo motorja 1 niso potrebni.

Priključitev motorja 2

OPOMBA: Naprava za upravljanje, priključena v priključek MOTOR 2, se vedno odpira zadnja in zapira prva.

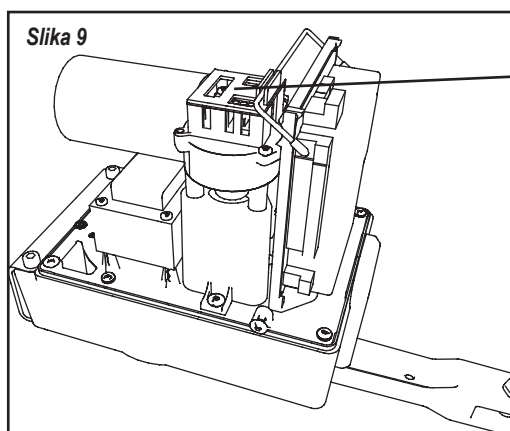
Navedeno upoštevajte pri osnovnih in naprednih nastavitvah (glejte razdelek Programiranje).

1. Priključite podaljševalni kabel (ni priložen) v priključke sekundarne enote (glejte sliko 7).
Preverite barve kablov sekundarnega motorja in jih uskladite z barvami priključkov za MOTOR 2 na nadzorni plošči.
2. Napeljite podaljševalni kabel sekundarnega motorja skozi enega od kabelskih vodov na dnu primarne enote (glejte sliko 8). Poskrbite, da uporabite stran motorja, na kateri roka med odpiranjem ali zapiranjem ne more pretrgati kablov.
3. Priključite kable sekundarnega motorja v priključke MOTOR 2, kot sledi: rdeči kabel v priključek RED, zeleni kabel v priključek GRN, beli kabel v priključek WHT na nadzorni plošči.



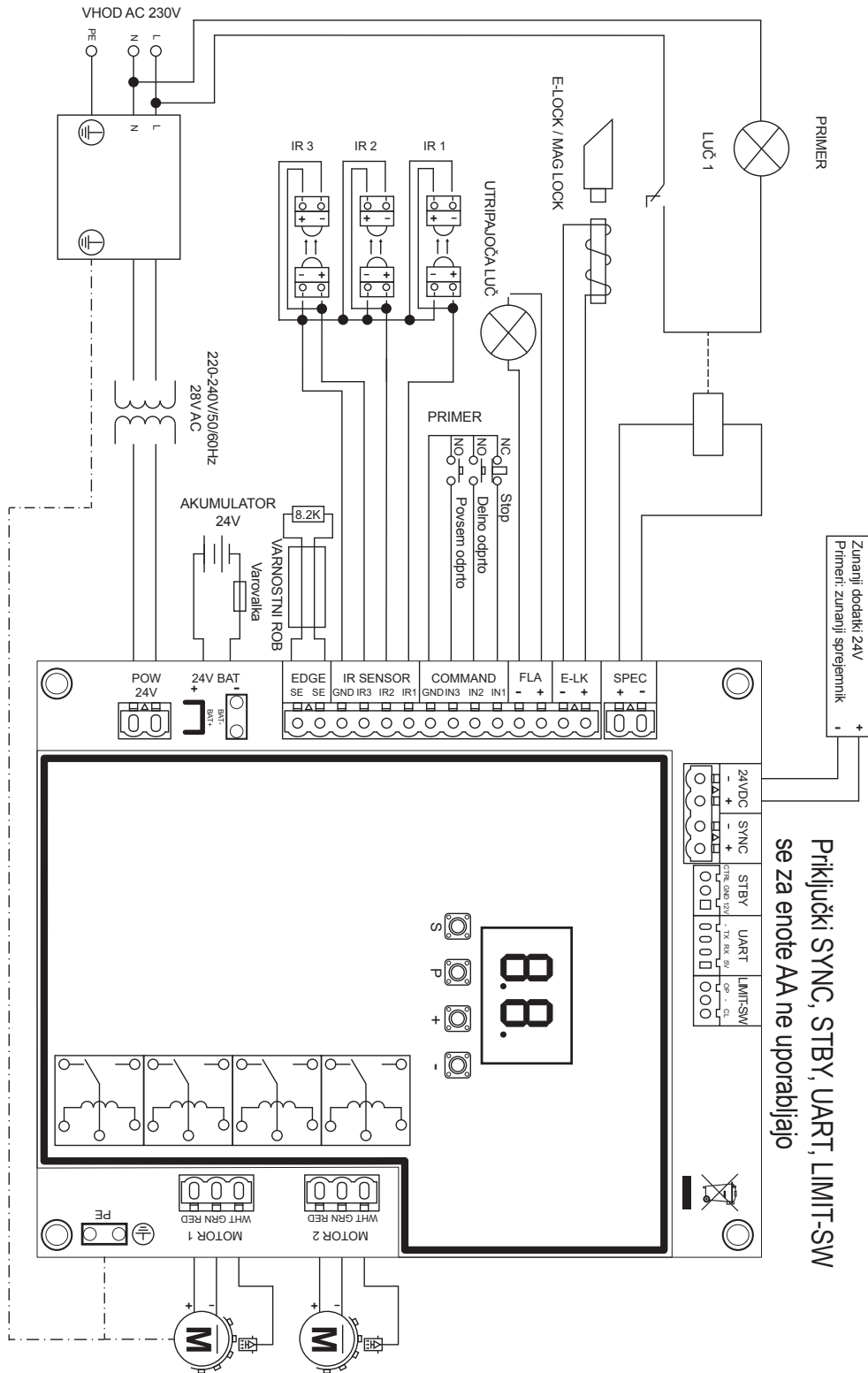
5.7 Priključitev napajanja

Električno napeljavo do omrežnega napajanja mora izvesti certificiran električar.



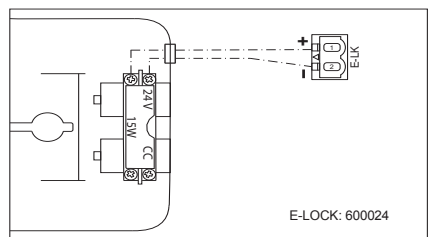
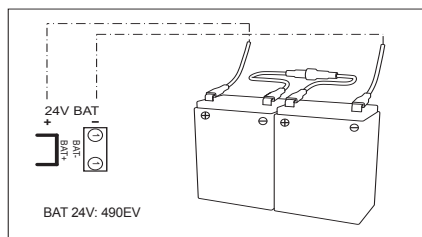
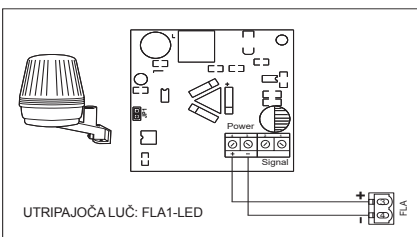
Čestitamo! Mehanska namestitev vaše naprave za upravljanje vrat je zdaj dokončana. Za začetek uporabe nadaljujte s poglavji Programiranje in Osnovne nastavitve.

6. ELEKTRIČNI NAČRT



Priključki SYNC, STBY, UART, LIMIT-SW se za enote AA ne uporabljajo

Zunanji dodatek 24V
Primeri: zunanji sprejemnik



7. PROGRAMIRANJE

7.1 Zaslona, gumbi za programiranje in nastavitve funkcij

Funkcije gumbov za programiranje (4 gumbi):

Gumb	Funkcija
S	programiranje/brisanje daljinskih upravljalnikov in določenih funkcij
P	vstop v način programiranja, izbira funkcije in shranjevanje
+/-	Pomikanje po meniju in spreminjanje vrednosti na zaslonu

Funkcije in programirane vrednosti so prikazane na zaslonu LED.

Nastavitev funkcij - način programiranja

Na zaslonu LED se po vklopu krmilne plošče prikažejo naslednje vrednosti:

--	Krmilna plošča je vnaprej programirana za določeno uporabo (za opis stanja glejte „Uporaba“ in „Način v pripravljenosti“ spodaj).
E0	„E0“, če krmilna plošča še ni bila programirana ali je bila ponastavljena s funkcijo „Privzete tovarniške vrednosti“. V tem stanju bo vhodi ukaz ali ukaz oddajnika vedno prezt.

Tukaj začnete programirati napravo za upravljanje vrat.

7.2 Splošni pregled programiranja

Programiranje je razdeljeno na 2 razdelka:

1. Osnovne nastavitve (stran 11)
2. Napredne nastavitve (stran 14)

Po izvedbi osnovnih nastavitve se bodo naslednji parametri samodejno priučili v fazi učenja:

1. Dolžina premikanja od položaja **POVSEM ZAPRTO** do položaja **POVSEM ODPRTO**.
2. Sila odpiranja in zapiranja posameznega motorja.

OPOMBA:

- Za omogočitev delovanja je treba izvesti osnovne nastavitve in fazo učenja.
- Po zaključku faze učenja in programiranja bo naprava za upravljanje vrat delovala v skladu s privzetimi nastavitvami.
- Dostop do naprednih nastavitvev ni možen, če osnovne nastavitve in faza učenja ni zaključena.
- **Pred programiranjem poskrbite, da so priključene ustrezne varnostne naprave.**

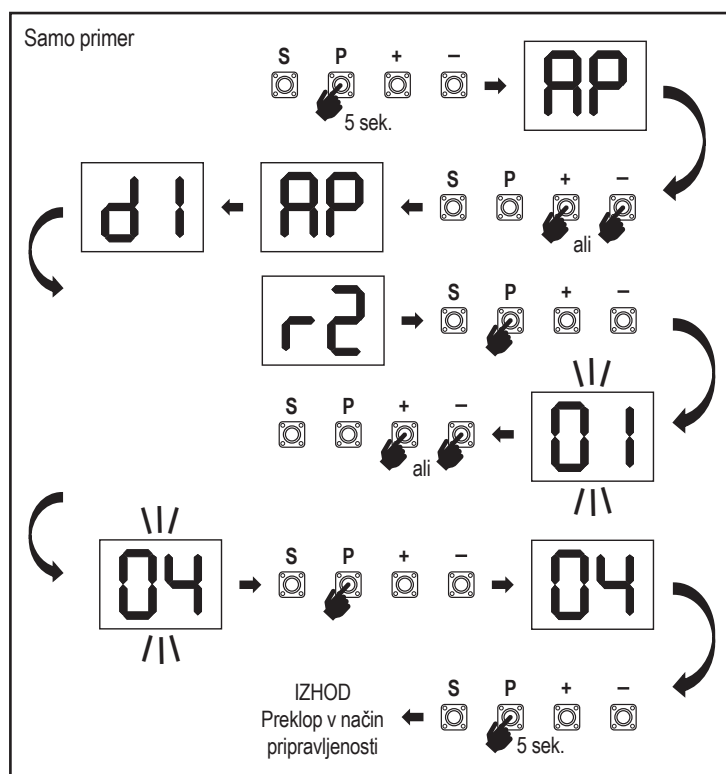
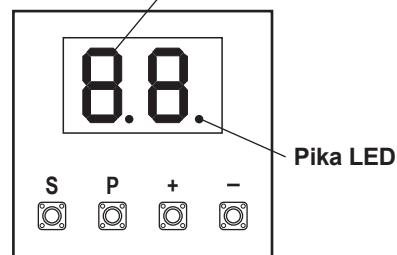
Splošna nastavitve:

1. Za vstop v meni pritisnite in 5 sekund pridržite gumb „P“. „AP“ na zaslonu označuje prvo razpoložljivo funkcijo v meniju.
2. Med funkcijami se pomikajte z gumbi „+“ in „-“.
3. Pritisnite gumb „P“, da izberete želeno funkcijo.
4. Prikaže se privzeta nastavitvev prej programirane vrednosti. To označuje utripajoča vrednost na zaslonu.
5. Z gumbom „+“ ali „-“ izberite želeno vrednost. Za potrditev izbire pritisnite gumb „P“.
6. Na zaslonu se prikaže programirana funkcija.
7. Če želite spremeniti nastavitvev druge funkcije, ponovite zaporedje točk od #2 do #6.
8. Za izhod iz menija funkcij pridržite gumb „P“ 5 sekund, da se plošča preklapi v način pripravljenosti.

Če gumba „P“ ne pritisnete, da potrdite nastavitvev nove vrednosti, bodo nove vrednosti shranjene po 3 minutah, meni za programiranje pa se bo zaprl in ponovno vzpostavil način v pripravljenosti.

OPOMBA: Za upravljanje vrat ali izvrševanje ukazov je treba meni z nastavitvami zapustiti s pridrženjem gumba „P“ za 5 sekund ali izbiro Funkcije FE, ali pa je treba počakati 3 minute za samodejni izhod in vrnitev v način pripravljenosti.

2-mestni zaslon LED



7. PROGRAMIRANJE

7.3 Smer premikanja krila

Pred programiranjem vrata ročno premaknite v srednji položaj in ponovno aktivirajte mehanizem za sprostitve (glejte stran 7).

Pritisnite in pridržite gumb „-“ na nadzorni plošči ter se prepričajte, da se motorja premikata v smeri **ZAPIRANJE**. Če je delovanje pravilno, takoj spustite gumb „-“, da se vrata ustavijo.

Če se motorja premikata v smeri **ODPIRANJE**, pojdite v funkciji „d1“ in „d2“ ter spremenite nastavitve smeri.

Po pravilni nastavitvi smeri **ZAPIRANJA** pustite vrata v srednjem položaju. Naprava za upravljanje vrat je pripravljena na fazo učenja.

Opomba: vrata lahko pred izvedbo končnih nastavitvev po potrebi premaknete z gumboma „+“ in „-“.

Pritisnite in pridržite gumb „+“ na krmilni plošči, da vrata premaknete v položaj **ODPRTO**. Ob sprostitvi gumba se naprava za upravljanje ustavi.

Pritisnite in pridržite gumb „-“ na krmilni plošči, da vrata premaknete v položaj **ZAPRTO**. Ob sprostitvi gumba se naprava za upravljanje ustavi.

7.4 Osnovne nastavitve

Pregled osnovnih nastavitvev

LED		Funkcija
		Obvezne nastavitve (obvezno)
AP	AP	Uporaba
d1	d1	Smerni motor 1
d2	d2	Smerni motor 2
LL	LL	Faza priučitve omejitve

7.4.1 Nastavitve uporabe

Funkcija uporabe prikazana na zaslonu.

Ta funkcija je prednastavljena v tovarni na vrednost 05.



05	Nihajna vrata z dvema motorjema za uporabo AA250 (privzeto)
-----------	---

Dodatne nastavitve, ki so na voljo na zahtevo:

00	Ni izbrane uporabe
04	Nihajna vrata z enim motorjem za uporabo z AA250

Vrednosti 01-03, 06, 07 niso primerne za uporabo z AA250, zato se jih ne sme izbrati.

7.4.2 Nastavitve smernega motorja 1



Funkcija smernega motorja 1, prikazana na zaslonu

Opređeljuje smer premikanja motorja 1.

01	Če je motor 1 nameščen na desni strani , se premika v smeri zapiranja.
02	Če je motor 1 nameščen na levi strani (privzeto) , se premika v smeri zapiranja.

7.4.3 Nastavitve smernega motorja 2

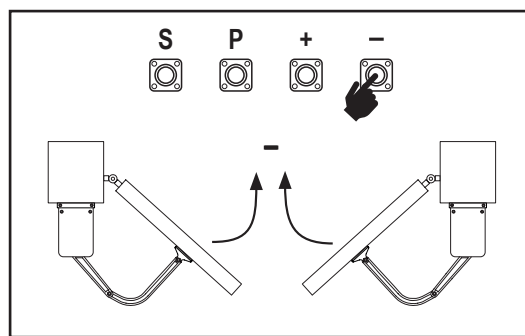
Funkcija smernega motorja 2, prikazana na zaslonu.

Opređeljuje smer premikanja motorja 2. Ni na voljo za uporabo

„z enim motorjem“.



01	Če je motor 2 nameščen na desni strani (privzeto) , se premika v smeri zapiranja.
02	Če je motor 2 nameščen na levi strani , se premika v smeri zapiranja.



7.4.4 Priučitev omejitve



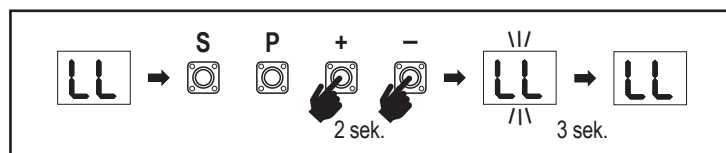
Pred začetkom faze učenja poskrbite, da:

- so dokončane druge osnovne nastavitve,
- Nameščeni so notranji/zunanji trdi omejevalniki (za nihajna vrata)
- Prvi premik bo v smeri **ZAPIRANJE**.

Razpoložljive metode učenja:

Standardni način učenja (samodejni)

- Pritisnite in 2 sekundi pridržite gumba „+ in -“.
- Začne se samodejni proces učenja. Med izvajanjem procesa na zaslonu utripa **LL**.
- Krilo 2 se premakne v smeri **ZAPIRANJE**, dokler ne doseže trdega omejevalnika, nato pa se ustavi.
- Krilo 1 se premakne v smeri **ZAPIRANJE**, dokler ne doseže trdega omejevalnika, nato pa se ustavi za 2 sekundi. Nato se krilo 1 začne premikati v smeri **ODPIRANJE**, dokler ne doseže trdega omejevalnika.
- Krilo 2 se premakne v smeri **ODPIRANJE**, dokler ne doseže trdega omejevalnika, se ustavi za 2 sekundi, nato pa se premakne v smeri **ZAPIRANJE**, dokler ne doseže trdega omejevalnika, in se ustavi.
- Krilo 1 se premakne v smeri **ZAPIRANJE**, dokler ne doseže trdega omejevalnika, nato pa se ustavi.
- Faza standardnega učenja je končana. Na zaslonu se prikaže **LL** in plošča se po 3 sekundah vrne v način pripravljenosti.



OPOMBA: Pri uporabi z enim samim motorjem se dejanja „Krilo 2“ ne uporabljajo.

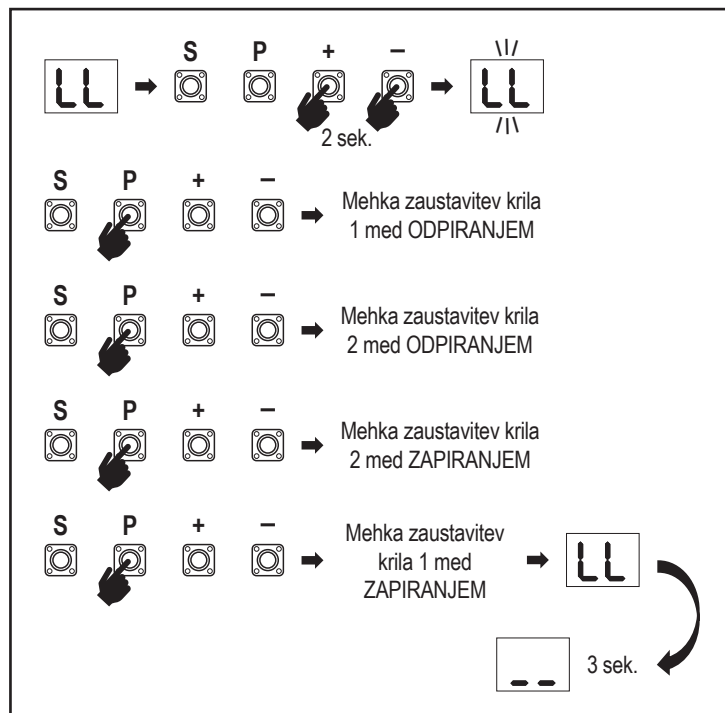
Med standardnim načinom učenja se izvedejo naslednje nastavitve:

- Dolžina premikanja od položaja **POVSEM ZAPRTO** do položaja **POVSEM ODPRTO**.
- Sila odpiranja in zapiranja posameznega motorja.
- Za mehko zaustavitev se določi 15 % premikanja v obeh smereh.
- Zakasnitev premikanja krila v položaj odpiranja in zapiranja je 2 sekundi. Če želite zakasnitev spremeniti, pojdite v Napredne nastavitve: Zakasnitev motorja 2 (d0) in Zakasnitev motorja 1 (dC).

7. PROGRAMIRANJE

Napredni način učenja (ročna nastavitve za položaj mehke zaustavitve)

1. Pritisnite in 2 sekundi pridržite gumba „+ in -“.
2. Začne se samodejno učenje. Med izvajanjem procesa na zaslonu utripa LL.
3. Krilo 2 se premakne v smeri **ZAPIRANJE**, dokler ne doseže trdega omejevalnika, nato pa se ustavi.
4. Krilo 1 se premakne v smeri **ZAPIRANJE**, dokler ne doseže trdega omejevalnika, nato pa se ustavi za 2 sekundi.
5. Krilo 1 se začne premikati v smeri **ODPIRANJE** s privzeto hitrostjo.
6. Za opredelitev začetka mehke zaustavitve krila 1 v smeri **ODPIRANJE** pritisnite gumb „P“ v ustrezni začetni točki. Krilo 1 se še naprej odpira, dokler ne doseže trdega omejevalnika, nato pa se ustavi.
7. Krilo 2 se začne premikati v smeri **ODPIRANJE** s privzeto hitrostjo.
8. Za opredelitev začetka mehke zaustavitve krila 2 v smeri **ODPIRANJE** pritisnite gumb „P“ v ustrezni začetni točki. Krilo 2 se še naprej odpira, dokler ne doseže trdega omejevalnika, se zaustavi za 2 sekundi, nato pa se premakne v smeri **ZAPIRANJE** s privzeto hitrostjo.
9. Za opredelitev začetka mehke zaustavitve krila 2 v smeri **ZAPIRANJE** pritisnite gumb „P“ v ustrezni začetni točki. Krilo 2 se še naprej zapira, dokler ne doseže trdega omejevalnika, nato pa se ustavi.
10. Krilo 1 se začne premikati v smeri **ZAPIRANJE** s privzeto hitrostjo.
11. Za opredelitev začetka mehke zaustavitve krila 1 v smeri **ZAPIRANJE** pritisnite gumb „P“ v ustrezni začetni točki. Krilo 1 se še naprej zapira, dokler ne doseže trdega omejevalnika, nato pa se ustavi.
12. Faza naprednega učenja je končana. Na zaslonu se prikaže LL in plošča se po 3 sekundah vrne v način pripravljenosti.



OPOMBA: Pri uporabi z enim samim motorjem se dejanja „Krilo 2“ ne uporabljajo.

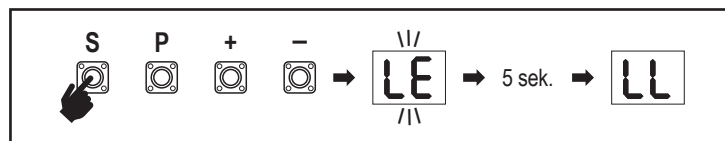
Med naprednim načinom učenja se programirajo naslednje nastavitve:

1. Dolžina premikanja od položaja **POVSEM ZAPRTO** do položaja **POVSEM ODPRTO**.
2. Sila odpiranja in zapiranja posameznega motorja.
3. Začetni položaji mehkih zaustavitev.
4. Zakasnitev premikanja krila v položaj odpiranja in zapiranja je 2 sekundi. Če želite zakasnitev spremeniti, pojdite v Napredne nastavitve: Zakasnitev motorja 2 (d0) in Zakasnitev motorja 1 (dC).

OPOMBA: Če želite fazo učenja ustaviti, pritisnite gumb „S“. Proces učenja se prekine in na zaslonu LED utripa „LE“. Po 5 sekundah se na zaslonu prikaže „LL“, kar označuje pripravljenost na ponovni začetek faze učenja.

Če proces učenja ni bil dokončan, ga je treba izvesti ponovno.

POZOR: Za omogočitev delovanja je treba izvesti fazo učenja.



7.5 Način v pripravljenosti

Po vklopu nadzorne plošče in zaključku programiranja zaslon LED povsem sveti 2 sekundi, nato pa se preklopi v način pripravljenosti. Ko je zaslon LED v stanju pripravljenosti, prikazuje trenutno stanje vrat.

	Dva motorja (privzeto)	En motor
Med odpiranjem motorja utripa zgornji del zaslona.		
Ko se motor ustavi položaju odpiranja, sveti zgornji del zaslona.		
Ob zapiranjem motorja utripa spodnji del zaslona.		
Ko se motor ustavi v položaju zapiranja, sveti spodnji del zaslona.		
Če se motor ustavi na sredini, sveti srednji del zaslona.		

Osnovne nastavitve so zdaj dokončane. Programiranje lahko zapustite in vrata začnete uporabljati, ali pa nadaljujete na napredne nastavitve.

7. PROGRAMIRANJE

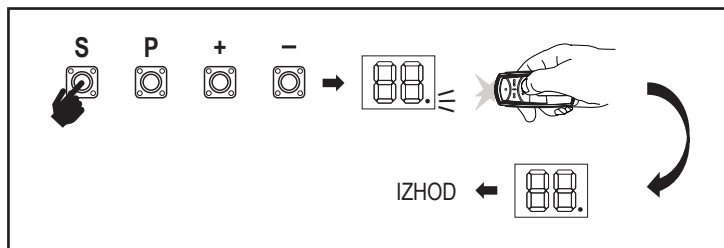
7.6 Programiranje in brisanje daljinskih upravljalnikov, radijskih dodatkov in naprav myQ

Programiranje daljinskih upravljalnikov (oddajnikov in brezžičnih stenskih upravljalnikov):

OPOMBA: daljinski upravljalniki, dostavljeni z napravo za upravljanje vrat, so v tovarni vnaprej priučeni na napravo za odpiranje vrat (zgornji gumb blizu lučke LED), zato dodatno programiranje ni potrebno.

1. Pritisnite in sprostite gumb „S“. Na zaslonu se VKLOPI pika LED. Naprava za upravljanje vrat ostane v načinu radijskega programiranja 3 minute. Vsaka radijska dodatna naprava se lahko priuči v prvih 30 sekundah. V preostalih 2,5 minutah se lahko priučijo le naprave myQ.
2. Izberite potreben gumb na oddajniku in ga pridržite, dokler pika na zaslonu ne ugasne.

Za programiranje novega daljinskega upravljalnika ponovite zaporedje. Če želite programirati brezžično tipkovnico, upoštevajte ustrezen priročnik za dodatek.



Programiranje oddajnika med delnim odpiranjem

Hkrati pritisnite gumba „S“ in „+“, da pika LED preneha utripati. Pritisnite in pridržite zeleni prosti gumb na oddajniku, da programirate način delnega odpiranja. Po zaključku programiranja pika LED ugasne. Če je na kontakt SPEC priključena lučka, bo enkrat utripnila.

Programiranje prehoda myQ (828EV):

1. Priključitev

Priključite kabel ethernet (1), priložen k prehodu, na usmerjevalnik (2). Uporabite vtič, primeren za vašo državo (ne pri vseh modelih). Priključite napajanje (3) na internetni prehod (4). Ko se internetni prehod poveže z internetom, zelena lučka (5) preneha utripati in neprekinjeno sveti. Za delovanje myQ mora biti obvezno priključen komplet IR-ov.

2. Ustvarite račun

Prenesite brezplačno aplikacijo myQ iz trgovine App Store ali Google Play in ustvarite račun. Če že imate račun, uporabite svoje uporabniško ime in geslo.

3. Registrirajte internetni prehod

Ob pozivu vnesite serijsko številko na dnu internetnega vmesnika.

4. Dodajte naprave myQ

Napravo za upravljanje vrat dodajte v registriran prehod po navodilih v aplikaciji. Ob dodajanju nove naprave za upravljanje vrat, ki omogoča uporabo myQ, pritisnite in sprostite gumb „S“ na nadzorni plošči naprave za upravljanje. Na zaslonu nadzorne plošče se VKLOPI pika LED.

Opomba: Potem ko dodate napravo, se bo na internetnem prehodu pojavila in ostala prižgana modra lučka. Pritisnite gumb „S“ na nadzorni plošči naprave za upravljanje, da zapustite način radijskega programiranja.

5. Preskus

Po pravilni namestitvi in registraciji lahko preskusite naslednje funkcije: odpiranje ali zapiranje vrat, zahtevek stanja VRATA ODPRTA ali VRATA ZAPRTA.

Za dodatne funkcije glejte www.liftmaster.eu

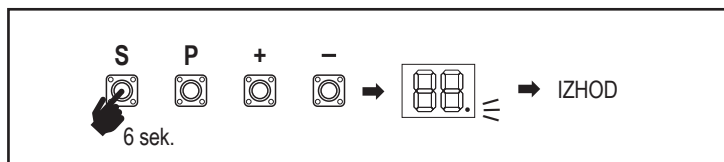
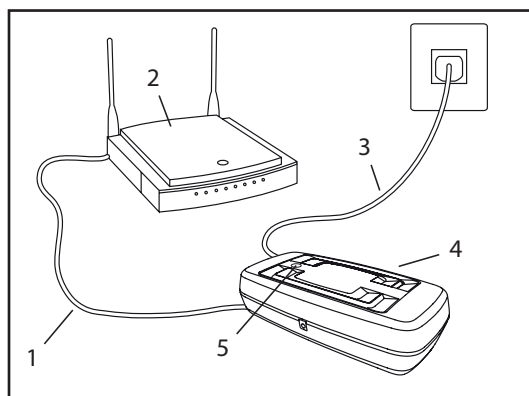
Brisanje radijskih nadzornih naprav (oddajnikov, brezžičnih stenskih krmilnikov, brezžičnih tipkovnic):

Pritisnite in pridržite gumb „S“ za > 6 sekund. Vse radijske krmilne naprave (oddajniki, stenski krmilniki, tipkovnice) se izbršejo. Pika LED na zaslonu se IZKLOPI. Opomba: Brisanje posameznih radijskih krmilnih naprav ni možno.

Brisanje naprav myQ:

1. Najprej izbršite daljinske krmilne naprave, kot je navedeno zgoraj.
2. V naslednjih 6 sekundah pritisnite in pridržite gumb „S“. Na zaslonu se VKLOPI pika LED.
3. Pritisnite in pridržite gumb „S“ za > 6 sekund. Vse naprave myQ se izbršejo. Pika LED na zaslonu se IZKLOPI.

OPOMBA: Brisanje posameznih naprav myQ ni možno. Brisanje samo naprav myQ ni možno.



7. PROGRAMIRANJE

Tukaj začnite z naprednimi nastavitvami.

7.7 Napredne nastavitve

LED		Funkcija
	tr	Oddajnik
	r1	Fotocelica IR1
	r2	Fotocelica IR2
	r3	Fotocelica IR3
	i1	Vhodni ukaz 1
	i2	Vhodni ukaz 2
	i3	Vhodni ukaz 3
	Pd	Delo odpiranje samo za motor 1
	d0	Zakasnitev motorja 2 v smeri ODPIRANJE
	dC	Zakasnitev motorja 1 v smeri ZAPIRANJE
	tC	Časovnik zapiranja (TTC)
	rt	Čas zamenjave smeri po udarcu
	EL	E-lock
	rb	Sprostilni motor 1 za E-Lock

LED		Funkcija
	FL	Utripajoča luč
	PF	Predhodno utripanje
	SP	Poseben kontakt
	St	ZAČETNA hitrost v smeri ODPIRANJA in ZAPIRANJA
	Cn	Števec vzdrževanja
	PS	Geslo
	F1	Sila motorja 1 med odpiranjem (zaščiten s PS)
	F2	Sila motorja 1 med zapiranjem (zaščiten s PS)
	F3	Sila motorja 2 med odpiranjem (zaščiten s PS)
	F4	Sila motorja 2 med zapiranjem (zaščiten s PS)
	S1	Hitrost motorjev med ODPIRANJEM (zaščiten s PS)
	S2	Hitrost motorjev med ZAPIRANJEM (zaščiten s PS)
	SF	Hitrost MEHKE ZAUSTAVITVE med ODPIRANJEM in ZAPIRANJEM (zaščiten s PS)
	Fd	Privzete tovarniške nastavitve
	FE	Zaključek in izhod

7.7.2 Nastavitve oddajnika

Funkcija oddajnika opredeljuje način delovanja ukazov oddajnika.

Opomba: Pri nastavitvah „01“, „02“ in „03“ ukaz oddajnika prekliče časovnik TTC in ZAPRE vrata.

Pri nastavitvi „04“ se aktivno odštevanje časovnika TTC ponastavi, da se ponovno začne z ukazom oddajnika.



	Stanovanjski način: Odpiranje – zapiranje – odpiranje
	Standardni način: Odpiranje – zaustavitev – zapiranje – zaustavitev – odpiranje (privzeto)
	Samodejno z načinom zaustavitve: Odpiranje – zaustavitev – zapiranje – odpiranje
	Način za parkirišče: Odpiranje, do dokončnega položaja odpiranja. Dodatni ukazi med odpiranjem se prezrejo

7.7.3 Nastavitve infrardečih fotocelic

Funkcije IR opredeljujejo način delovanja infrardečih fotocelic (IR).

IR-ji se po namestitvi samostojno priučijo.

Programirate lahko vsakega od 3 kompletov IR posebej.

OPOMBA: Odvisno od izbranih nastavitvev se vnosi delnega odpiranja ali ukazi daljinskega upravljalnika ne izvedejo v smeri ODPIRANJA ali ZAPIRANJA, če je žarek IR oviran. Če IR-je odstranite, je treba napajanje nadzorne plošče dvakrat IZKLOPITI/VKLOPITI, da se prekliče priučitev.

Glede preverjanja in vzdrževanja fotocelic glejte priročnik za fotocelice.



	IR aktiven med premikanjem ZAPIRANJE. Če je žarek IR oviran, vrata spremenijo smer do povsem ODPRTEGA položaja (privzeto).
	IR aktiven med premikanjem ODPIRANJE. Če je žarek IR oviran, se vrata ustavijo. Po odstranitvi ovire vrata nadaljujejo z ODPIRANJEM.
	IR je aktiven med premikanjem ODPIRANJE in ZAPIRANJE. Če je žarek IR oviran med premikanjem ZAPIRANJE, se vrata ustavijo, po odstranitvi ovira pa se premikanje vrat obrne do povsem ODPRTEGA položaja. Če je žarek IR oviran med premikanjem ODPIRANJE, se vrata ustavijo. Po odstranitvi ovire vrata nadaljujejo z ODPIRANJEM.
	IR aktiven med premikanjem ZAPIRANJE. Če je žarek IR oviran, vrata spremenijo smer do povsem ODPRTEGA položaja. Aktivirana funkcija TTC se prekliče 2 sekundi po odstranitvi ovire žarka in začne s premikanjem ZAPIRANJE, ne da bi počakala do časovnega izteka TTC.

7.7.4 Nastavitve vnosa



Funkcija vnosov opredeljuje način izvajanja vhodnih ukazov iz zunanjih dodatkov. Programirate lahko vsakega od 3 vnosov posebej.

OPOMBA: Pri nastavitvah „01“, „02“ in „03“ ukaz oddajnika preglasi časovnik TTC in ZAPRE vrata. Pri nastavitvi „06“ se aktivno odštevanje časovnika TTC ponastavi, da se ponovno začne z vhodnim ukazom

7. PROGRAMIRANJE

01	Odpiranje – zapiranje – odpiranje
02	Odpiranje – zaustavitev – zapiranje – zaustavitev – odpiranje (privzeto)
03	Odpiranje – zaustavitev – zapiranje – odpiranje
04	Delo odpiranja samo za motor 1
05	ZAUSTAVITEV (kontakt NC)
06	Odpiranje, do dokončnega položaja ODPIRANJA. Dodatni ukaz za odpiranje med odpiranjem se prezre
07	Zapiranje, do končnega položaja ZAPIRANJA. Dodatni ukaz za zapiranje med zapiranjem se prezre
08	Odpiranje – zaustavitev – odpiranje - zaustavitev
09	Zapiranje – zaustavitev – zapiranje - zaustavitev
10	Odpiranje, držite za delovanje
11	Zapiranje, držite za delovanje

7.7.5 Motor 1 za delno odpiranje

Pd

Motor 1 za delno odpiranje vam daje le možnost odpiranja aktivnega krila do prednastavljene vrednosti.

OPOMBA: Ukaz Pd deluje od končnega položaja zapiranja in med premikanjem v smeri zapiranja. Če se ukaz Pd posreduje iz povsem ODPRTEGA položaja, se vrata zaprejo.

Ukaz odpiranja ali ukaz daljinskega upravljalnika vedno preglasi ukaz Pd.

01	Premikanje v smeri odpiranja za 50 %
02	Premikanje v smeri odpiranja za 75 % (privzeto)
03	Premikanje v smeri odpiranja za 100 %

1. Hkrati pritisnite in pridržite gumba „S“ in „+“, da pika LED preneha utripati.
2. Pritisnite in pridržite zeleni prosti gumb na oddajniku, da programirate način delnega odpiranja.
3. Po zaključku programiranja pika LED ugasne. Če je na kontakt SPEC priključena lučka, bo enkrat utripnila.

7.7.6 Zakasnitev motorja 2 v smeri odpiranja

pd

Funkcija zakasnitve motorja 2 v smeri ODPIRANJA opredeljuje časovno zakasnitev motorja 2 v smeri ODPIRANJE. Ni na voljo za uporabo z enim motorjem.

Se ne izvede med zamenjavo smeri ali po prekinitvi žarka IR v obeh smereh.

00	brez zakasnitve (obe krili se začneta odpirati hkrati)
01	1 sekunda
02	2 sekundi (privzeto)
03	3 sekunde
04	4 sekunde

7.7.7 Zakasnitev motorja 1 v smeri zapiranja

dc

Funkcija zakasnitve motorja 1 v smeri ZAPIRANJA opredeljuje časovno zakasnitev motorja 1 v smeri ZAPIRANJE. Ni na voljo za uporabo z enim motorjem. Se ne izvede med zamenjavo smeri ali po prekinitvi žarka IR v obeh smereh.

00	brez zakasnitve (obe krili se začneta premikati hkrati)
01	1 sekunda
02	2 sekundi (privzeto)
...	... sekund
20	20 sekund

7.7.8 Časovnik zapiranja

tc

Funkcija časovnika zapiranja (TTC) omogoča samodejno zapiranje vrat iz povsem ODPRTEGA položaja po vnaprej nastavljenem časovnem obdobju. Za omogočitev delovanja TTC je potreben najmanj en par infrardečih fotocelic (IR) LiftMaster, ki nadzorujejo premikanje v smeri zapiranja. Če IR ščitijo samo premikanje v smeri odpiranja, TTC ne deluje.

TTC deluje tudi ob aktiviranem delnem odpiranju. Če pri aktivni funkciji TTC poteka odštevanje časovnika in se prekinejo žarki IR, se časovnik TTC ponovno zažene.

00	TTC ni aktiven (privzeto)	05	1 minuta
01	10 sekund	06	1,5 minute
02	20 sekund	07	2 minuti
03	30 sekund	08	3 minute
04	45 sekund	09	5 minut

7.7.9 Čas zamenjave smeri po udarcu

rt

Funkcija časa zamenjave smeri po udarcu določa vedenje zamenjave smeri zaradi ovire med premikanjem v smeri zapiranja ali odpiranja. To vedenje zamenjave smeri velja tako za zaznavanje sile motorja kakor tudi uporabo varnostnega roba.

01	Zamenjava smeri za 2 sekundi in zaustavitev
02	Zamenjava smeri do končnega položaja (privzeto)
03	Med premikanjem v smeri zapiranja vrata po udarcu zamenjajo smer do odprtega položaja. Med premikanjem v smeri odpiranja vrata po udarcu zamenjajo smer za 2 sekundi, nato pa se zaustavijo

7.7.10 Nastavitve E-Lock / Mag-Lock

EL

Funkcija E-Lock določa vedenje e-lock/mag-lock. Priključite lahko e-lock ali mag-lock 24VDC – 500mA.

00	e-lock/mag-lock ni nameščen (privzeto)
01	e-lock aktiven 1 sekundo pred zagonom motorja 1 v smeri odpiranja
02	e-lock aktiven 2 sekundi pred zagonom motorja 1 v smeri odpiranja
03	Magnetna ključavnica, vedno aktivna pri ZAPRTIH vratih ali vedno neaktivna med premikanjem ODPIRANJE in ZAPIRANJE ter položajih vrat ODPRTO ali ZAUSTAVITEV. V načinu delovanja na rezervno akumulatorsko napajanje se magnetna ključavnica deaktivira.

7. PROGRAMIRANJE

7.7.10a Sprostilni motor 1 za E-Lock



Motor za sprostitev 1 za funkcijo e-lock omogoča kratek potisk motorja 1 v smeri ZAPIRANJE pred aktiviranjem naprave e-lock, da se omili pretiran pritisk na e-lock. Ni na voljo, če je funkcija EL nastavljena na „00“ ali „03“ (e-lock ni priključen/mag-lock ni priključen).

00	deaktivirano (privzeto)
01	aktivirano 1 sekundo
02	aktivirano 2 sekundi

7.7.11 Nastavitve utripajoče luči



Funkcija utripajoče luči omogoča izbiro, katera vrsta utripajoče luči je priključena. Priključite lahko utripajočo luč 24VDC- maks 500 mA (FLA1-LED).

00	utripajoča luč ni nameščena (privzeto)
01	neprekinjeno napajanje 24V - za utripajočo luč z lastno nadzorno ploščo (FLA1-LED)
02	prekinjeno napajanje 24V - za utripajočo luč brez lastne nadzorne plošče

7.7.11a Predhodno utripanje



Funkcija predhodnega utripanja določa časovno obdobje predhodnega utripanja utripajoče luči pred premikom vrat. Če je funkcija utripajoče luči (FL) nastavljena na „00“, funkcija ni aktivna.

00	brez predhodnega utripanja (privzeto)	03	3 sekunde
01	1 sekunda	04	4 sekunde
02	2 sekundi	05	5 sekund

7.7.15 Z geslom zaščitene funkcije in nastavitve

7.7.15a Nastavitev gesla



Pred spreminjanjem z geslom zaščitene funkcije, kot sta sila in hitrost, mora biti dokončana faza učenja in nastavljeno geslo. Za programiranje gesla izberite funkcijo „PS“.

OPOMBA: Gesla ni mogoče nastaviti na „00“. Navedeno je uporabljeno zgolj kot privzeta nastavitve.

Če ne nastavite novega gesla, dostop do z geslom zaščitene funkcije ni možen. Za spreminjanje zaščitene funkcije po nastavitvi bo potrebno geslo.

Nastavitev novega gesla:

1. Izberite funkcijo „PS“ in pritisnite gumb „P“.
2. Na zaslonu utripa „00“.
3. Z gumboma „+“ in „-“ nastavite novo geslo.
4. Pritisnite gumb „P“.
5. Novo nastavljeno geslo ostane na zaslonu 2 sekundi. Nato se prikaz na zaslonu spremeni v „PS“.

Geslo si zapišite za poznejšo uporabo.

7.7.12 Nastavitve posebnih kontaktov



Funkcija posebnih kontaktov določa čas aktiviranja relejev.

Za upravljanje drugih naprav, npr. dodatne luči, lahko priključite rele 24V maks 500mA. Tukaj nastavljeni čas bo nadzoroval tudi odštevanje za luč daljinskega upravljalnika myQ.

00	brez aktiviranja (privzeto)	05	1,5 minute
01	15 sekund	06	2 minuti
02	30 sekund	07	3 minute
03	45 sekund	08	4 minute
04	1 minuta	09	5 minut

7.7.13 Začetna hitrost v smeri odpiranja in zapiranja



Funkcija začetne hitrosti omogoča VKLOP ali IZKLOP mehkega zagona v smeri ODPIRANJA in ZAPIRANJA.

00	deaktivirano (privzeto)
01	Aktiven mehki zagon: motorja počasi pospešujeta, dokler ne dosežeta standardne hitrosti.
02	Aktiven trdi zagon: motorja začneta delovati z običajno hitrostjo in v prvi sekundi se senzor sile ne upošteva.

7.7.14 Števec vzdrževanja



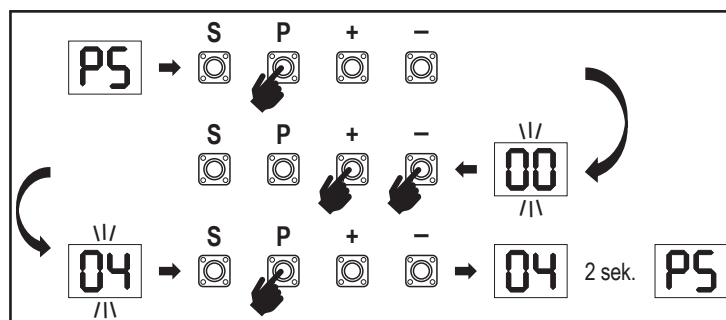
Funkcija števca vzdrževanja omogoča nastavljanje časovnih razmikov vzdrževanja v ciklih. 4-sekundno predhodno utripanje utripajoče luči označuje, da je interval dosežen. Če je aktivna funkcija PF (predhodno utripanje), se 4-sekundno predhodno utripanje doda k nastavljenemu času. Za ponastavitev števca po izvedbi vzdrževanja zadostuje ponovno programiranje ciklov.

00	brez števca (privzeto) ciklov
01	1000 ciklov	20	20000 ciklov
02	2000 ciklov		

POZOR

Za vsakršne spremembe, izvedene v zvezi z geslom zaščitene funkcije (sila in hitrost), je potrebno preverjanje hitrosti in sile v skladu z: EN 12453, EN 60335-2-103.

00	Geslo ni izbrano (privzeto)
01 → 02 → → 99	Izbira na voljo



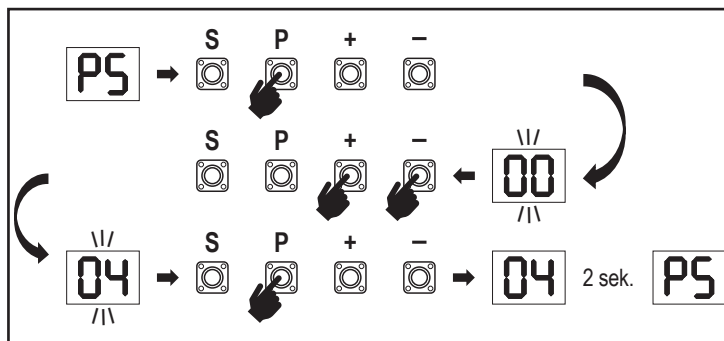
7. PROGRAMIRANJE

7.7.15b Uporaba gesla

1. Izberite funkcijo „PS“ in pritisnite gumb „P“.
2. Na zaslonu utripa „00“.
3. Z uporabo gumbov „+“ in „-“ vnesite pravilno geslo in pritisnite gumb „P“ za potrditev.
4. Če vnesete pravilno geslo, se slednje na zaslonu prikazuje 2 sekundi, nato pa se prikaz spremeni v „PS“.
5. Izberite zaščiteno funkcijo, ki jo želite nastaviti.

OPOMBA: Če vneseno geslo ni pravilno, 5 sekund utripa prikaz „00“, nato pa se spremeni v „PS“. Za dostop do zaščitene funkcij uporabite pravilo geslo.

Pozor: Z geslom zaščitene napredne nastavitve lahko izvaja le usposobljen strokovnjak. Izpolnjene morajo biti zahteve EU: EN 12453, EN 13241; GB (UK, NI): BS EN 12453, BS EN 13241.

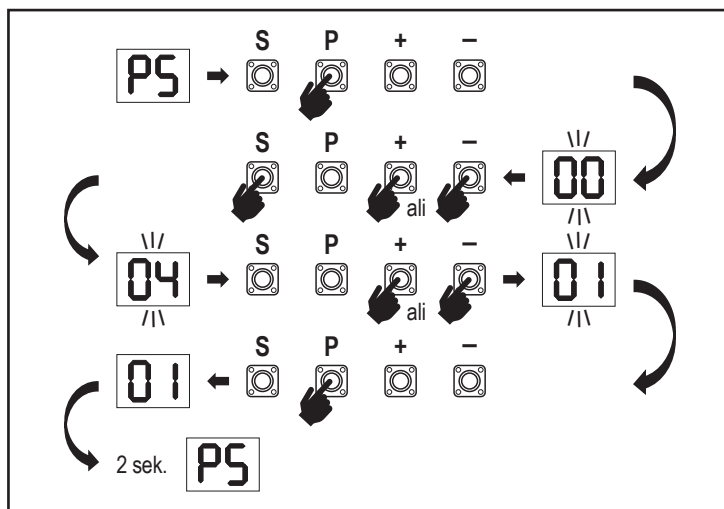


7.7.15c Spreminjanje gesla

1. Izberite funkcijo „PS“ in pritisnite gumb „P“.
2. Na zaslonu utripa „00“.
3. Z uporabo gumba „+“ ali „-“ vnesite trenutno geslo in pritisnite gumb „S“. Vrednost začne utripati.
4. Z uporabo gumba „+“ ali „-“ vnesite NOVO geslo in pritisnite gumb „P“.
5. Spremenjeno geslo ostane na zaslonu 2 sekundi. Nato se prikaz na zaslonu spremeni v „PS“.

OPOMBA: če vnesete napačno (trenutno) geslo, na zaslonu 5 sekund utripa „00“, nato pa se prikaz spremeni v „PS“. Geslo se ne spremeni.

Če geslo izgubite, s pomočjo funkcije ponastavitve na tovarniške nastavitve (Fd) obnovite privzete nastavitve. Vse nastavitve (razen radijskega pomnilnika) se izbrisejo. Glejte stran 18.



7.7.15d Motorja sile 1 in 2 v smeri odpiranja in zapiranja

F1

Sila motorja 1 v smeri ODPIRANJE

Sila motorja 1 v smeri ODPIRANJE omogoča prilagoditev sile poleg sile, ki je bila nastavljena v fazi učenja. Za dostop do te funkcije je potreben vnos gesla.

00	Standardna sila (privzeto)	02	+30 %
01	+15 %	03	+50 %

Sila motorja 1 v smeri ZAPIRANJE

F2

Sila motorja 1 v smeri ZAPIRANJE omogoča prilagoditev sile poleg sile, ki je bila nastavljena v fazi učenja. Za dostop do te funkcije je potreben vnos gesla.

00	Standardna sila (privzeto)	02	+30 %
01	+15 %	03	+50 %

Sila motorja 2 v smeri ODPIRANJE

F3

Sila motorja 2 v smeri ODPIRANJE omogoča prilagoditev sile poleg sile, ki je bila nastavljena v fazi učenja. Za dostop do te funkcije je potreben vnos gesla.

00	Standardna sila (privzeto)	02	+30 %
01	+15 %	03	+50 %

Sila motorja 2 v smeri ZAPIRANJE

F4

Sila motorja 2 v smeri ZAPIRANJE omogoča prilagoditev sile poleg sile, ki je bila nastavljena v fazi učenja. Za dostop do te funkcije je potreben vnos gesla.

00	Standardna sila (privzeto)	02	+30 %
01	+15 %	03	+50 %

7.7.15e Motorja hitrosti 1 in 2 v smeri odpiranja in zapiranja

S1

Motorja hitrosti 1 in 2 v smeri ODPIRANJE

Hitrost motorja 1 in 2 v smeri ODPIRANJE omogoča prilagoditev hitrosti odpiranja v primerjavi s hitrostjo, nastavljeno v fazi učenja. Za dostop do te funkcije je potreben vnos gesla.

00	Standardna hitrost (privzeto)	04	+50 %
01	+10 %	05	-10 %
02	+20 %	06	-20 %
03	+30 %		

7. PROGRAMIRANJE

Motorja hitrosti 1 in 2 v smeri ZAPIRANJE

52

Hitrost motorja 1 in 2 v smeri ZAPIRANJE omogoča prilagoditev hitrosti odpiranja v primerjavi s hitrostjo, nastavljeno v fazi učenja. Za dostop do te funkcije je potreben vnos gesla.

00	Standardna hitrost (privzeto)	04	+50 %
01	+10 %	05	-10 %
02	+20 %	06	-20 %
03	+30 %		

7.7.15f Hitrost mehke zaustavitve

SF

Funkcija hitrosti mehke zaustavitve omogoča prilagajanje hitrosti mehke zaustavitve v primerjavi s privzetimi vrednostmi, nastavljenimi med fazo učenja. Hitrost mehka zaustavitve je privzeto nastavljena na 50 % standardne hitrosti. Sprememba standardne hitrosti vpliva na hitrost mehke zaustavitve.

Za dostop do te funkcije je potreben vnos gesla.

00	Standardna hitrost (privzeto)	04	-50 %
01	-10 %	05	+10 %
02	-20 %	06	+20 %
03	-30 %		

8. AKUMULATORSKO REZERVNO NAPAJANJE

Način akumulatorskega rezervnega napajanja

BU

V E-Box lahko namestite 2 dodatna svinčeva akumulatorja 12 V, 2,2 Ah SKU 490EV (opcija, nista priložena). Za natančen postopek namestitve glejte priročnik za SKU 490EV. Utripajoča luč (če je nameščena) utripa 2 sekundi vsakih 10 minut, kar označuje način BBU in prekinitev napajanja. Nadzorna plošča se preklopi v način pripravljenosti, v katerem aktiven radijski sprejemnik sprejema samo ukaze iz radijske krmilne naprave. Drugi dodatki in zunanje naprave ne bodo delovale.

V načinu akumulatorskega rezervnega napajanja bo upravljanje prek pametnega telefona myQ in brezžičnih naprav myQ onemogočeno. Povsem napolnjen akumulator bi moral zadostovati za približno 20 ciklov v primeru 2 ciklov na uro. Po 24 urah v načinu BBU bi moral akumulator zagotoviti napajanje za 1 cikel popolnega odpiranja in zapiranja. Upoštevajte, da se lahko uporablja izključno predpisani akumulator. Uporaba drugih akumulatorjev razveljavi garancijo in odgovornost družbe LiftMaster za kakršnokoli povezano škodo, ki nastane zaradi uporabe nepredpisanih akumulatorjev.

9. KODE NAPAK

LED	Koda napake	Težava	Možen vzrok	Rešitev
E0	E0	Vrata se ob pritisku na oddajnik ne premaknejo	AP je nastavljen na 00	Preverite, ali je AP nastavljen na 00. Če je, ga spremenite na ustrezno nastavitve uporabe.
E1	E1	Vrata se ne zaprejo, vendar se lahko odprejo.	1) IR1 ni priključen ali pa je prerezan kabel. 2) Kabel IR1 je v kratkem stiku ali pa obratno priključen. 3) IR1 ni poravnan ali pa je za trenutek oviran.	1) Preverite, ali IR1 ni priključen oziroma je prerezan kabel. 2) Preverite priključitev IR1, po potrebi zamenjajte kable. 3) Poravnajte oddajnik in sprejemnik IR, da se prepričate, da svetita obe lučki LED, namesto da bi utripali. Prepričajte se, da na vratih ni obešen predmet, ki bi lahko oviral IR.
E2	E2	Vrata se lahko zaprejo, ko so v končnem položaju odpiranja, vendar se ne morejo odpreti, kot so v končnem položaju zapiranja.	1) IR2 ni priključen ali pa je prerezan kabel. 2) Kabel IR2 je v kratkem stiku ali pa obratno priključen. 3) IR2 ni poravnan ali pa je za trenutek oviran.	1) Preverite, ali IR2 ni priključen oziroma je prerezan kabel. 2) Preverite priključitev IR2, po potrebi zamenjajte kable. 3) Poravnajte oddajnik in sprejemnik IR, da se prepričate, da svetita obe lučki LED, namesto da bi utripali. Prepričajte se, da IR ne ovira noben predmet.
E3	E3	Vrata se ob pritisku na oddajnik ne premaknejo.	1) IR3 ni priključen ali pa je prerezan kabel. 2) Kabel IR3 je v kratkem stiku ali pa obratno priključen. 3) IR3 ni poravnan ali pa je za trenutek oviran.	1) Preverite, ali IR3 ni priključen oziroma je prerezan kabel. 2) Preverite priključitev IR3, po potrebi zamenjajte kable. 3) Poravnajte oddajnik in sprejemnik IR, da se prepričate, da svetita obe lučki LED, namesto da bi utripali. Prepričajte se, da na vratih ni obešen predmet, ki bi lahko za kratek čas oviral IR.
E4	E4	Vrata se ob pritisku na oddajnik ne premaknejo.	1) Varnostni rob ni priključen z uporabo 8,2 kohm. 2) Kabel varnostnega roba je v kratkem stiku. 3) Varnostni rob je stisnjen.	1) Preverite, ali je varnostni rob 8,2 kOhm ustrezno priključen in ali je nameščen upor 8,2 kOhm. 2) Preverite kable varnostnega roba in jih po potrebi zamenjajte. 3) Preverite, ali je varnostni rob stisnjen.

7.8 Privzete tovarniške nastavitve

Fd

Funkcija ponastavitve na privzete tovarniške nastavitve ponastavi nadzorno ploščo na prvotne tovarniške nastavitve. Vse nastavitve, vključno z nastavitvami omejitve, se izbrisejo. Na zaslonu LED se prikaže „E0“. Programirani daljinski upravljalniki ostanejo seznanjeni. Če morate izbrisati dodatne daljinske upravljalnike, glejte ustrezen razdelek Programiranje radijskih upravljalnikov v tem priročniku.

00	brez ponastavitve (privzeto)
01	ponastavitev na privzete tovarniške nastavitve

7.9 Zaključek in izhod

FE

Za zapuščenje faze programiranja in shranjevanje vseh sprememb se premaknite na funkcijo FE in pritisnite gumb „P“. Nadzorna plošča se preklopi stanje pripravljenosti in je pripravljena na delovanje.

Programiranje lahko zapustite in nastavitve shranite tudi na druge načine:

- Pritisnite in 5 sekund pridržite gumb „P“
- Za samodejni izhod iz programiranja počakajte 3 minute po izvedbi zadnje spremembe

9. KODE NAPAK

LED	Koda napake	Težava	Možen vzrok	Rešitev
E5	E5	Vrata se ob pritisku na oddajnik ne premaknejo.	1) Odprto je stikalo ZAUSTAVITEV. 2) Stikalo ZAUSTAVITEV ni priključeno.	1) Preverite, ali je stikalo ZAUSTAVITEV odprto ali poškodovano. 2) Preverite, ali je stikalo ZAUSTAVITEV odklopljeno. Če je, stikalo ZAUSTAVITEV ponovno priključite ali spremenite ustrezno nastavitev vhoda na drugo vrednost.
E7	E7	Vrata se ob pritisku na oddajnik ne premaknejo.	Odpoved ojačevalca nadzorne plošče za motor 1.	Izklopite napajanje a 20 sekund in izvedite ponastavitev, da preverite, ali se nadzorna plošča obnovi. Če se ne, zamenjajte nadzorno ploščo.
E8	E8	Vrata se ob pritisku na oddajnik ne premaknejo.	Odpoved ojačevalca nadzorne plošče za motor 2.	Izklopite napajanje a 20 sekund in izvedite ponastavitev, da preverite, ali se nadzorna plošča obnovi. Če se ne, zamenjajte nadzorno ploščo.
E9	E9	Vrata se ob pritisku na oddajnik ne premaknejo.	Napaka v pomnilniku nadzorne plošče.	Izklopite napajanje a 20 sekund in izvedite ponastavitev, da preverite, ali se nadzorna plošča obnovi. Če se ne, zamenjajte nadzorno ploščo.
F1	F1	Motor 1 se med odpiranjem ali zapiranjem ustavi in zamenja smer.	Motor 1 je oviran.	Preverite in odstranite oviro. Očistite vrata.
F2	F2	Motor 2 se med odpiranjem ali zapiranjem ustavi in zamenja smer.	Motor 2 je oviran.	Preverite in odstranite oviro. Očistite vrata.
F3	F3	Motor 1 se med odpiranjem ali zapiranjem ustavi in zamenja smer.	Poškodovan je senzor zastoja ali hitrosti motorja 1.	Preverite, ali je poškodovan senzor zastoja ali hitrosti motorja 1.
F4	F4	Motor 2 se med odpiranjem ali zapiranjem ustavi in zamenja smer.	Poškodovan je senzor zastoja ali hitrosti motorja 2.	Preverite, ali je poškodovan senzor zastoja ali hitrosti motorja 2.
F5	F5	Ob pritisku na oddajnik se motor ne odzove.	Odpoved radijskega modula.	Izklopite napajanje a 20 sekund in izvedite ponastavitev, da preverite, ali se nadzorna plošča obnovi. Če se ne, zamenjajte nadzorno ploščo.
F6	F6	Vrata zamenjajo smer med zapiranjem.	Nizka napolnjenost akumulatorja.	Zamenjajte akumulator.
F7	F7	Vrata se ob pritisku na oddajnik ne premaknejo.	Poškodovana nadzorna plošča.	Izklopite napajanje a 20 sekund in izvedite ponastavitev, da preverite, ali se nadzorna plošča obnovi. Če se ne, zamenjajte nadzorno ploščo.
F9	F9	Ob pritisku na oddajnik ali gumb se motor ne odzove.	Meni AP je ponastavljen na privzete tovarniške vrednosti.	Ponovno priučite omejitve.
LE	LE	Motor se nenadoma ustavi.	Med priučitvijo omejitev pritisnite gumb C.	Ponovno priučite omejitve.

10. TEHNIČNI PODATKI

		AA250EVK			AA250EVK
Vhodna napetost	VAC	220-240	Napajanje zunanjih dodatkov		24 VDC - maks. 500 mA
Vhodna frekvenca	Hz	50/60	Priključek utripajoče luči		24 VDC - maks. 500 mA
Napetost motorja	VDC	24 V	Priključek E-Lock/magnetne ključavnice		24 VDC - maks. 500 mA
„Poraba v stanju pripravljenosti (brez dodatkov)“	W	3.2	Zunanji rele		24 VDC - maks. 500 mA
Nazivna moč motorja	W	100 W (AA250-24P) 50 W (AA250-24S)	Varnostni rob		8,2 kOhm
Nazivna obremenitev	Nm	72,4	Največje število IR-jev		3
Največji navor	Nm	200	Največje število zunanjih vhodov		3
Število ciklov na uro		10	Enota za akumulatorsko rezervno napajanje		2 x akumulator 12 V, 2,2 Ah, model 490EV
Največ ciklov na dan		30	Zaščita pred vdorom za motor	IP	44
Maks. širina/teža krila	m / kg	1,5 m / 250 kg	Raven hrupa	dB	< 70 db(A)
		2,0 m / 200 kg	Delovna temperatura	°C	-20 °C do +55 °C
		2,5 m / 150 kg	Teža (komplet)	kg	20
Največji kot odpiranja		120°	Frekvenca oddajnika	TX4EVF	868M Hz (868,30 MHz, 868,95 MHz, 869,85 MHz)
Trajanje odpiranja do 90°	s	13-15			
Sistem končne omejitve		Kodirnik s tridimi omejevalniki	Baterija		CR2032 3 V
Radiofrekvenčno območje delovanja	MHz	RX 433 MHz (433,30 MHz, 433,92 MHz, 434,54 MHz) RX 868 MHz (868,30 MHz, 868,95 MHz, 869,85 MHz)			
Moč oddajanja		TX 865,125 MHz, 865,829 MHz, 866,587 MHz < 10mW			
Koda		Security+ 2.0			
Največje število daljinskih upravljalnikov		180			
Največje število tipkovic		4			
Največje število naprav myQ		16			

11. VZDRŽEVANJE

Zamenjava baterij v daljinskem upravljalniku

Baterija v daljinskem upravljalniku:

Baterije v daljinskem upravljalniku imajo zelo dolgo življenjsko dobo. Če se doseg oddajanja zmanjša, je treba baterije zamenjati. Baterije niso zajete v garancijo.

Upoštevajte naslednja navodila za baterijo:

Baterij se ne sme odlagati med gospodinjske odpadke. Vsi potrošniki so zakonsko zavezani, da baterije ustrezno odložijo na določenih zbiralnih mestih. Nikoli ne polnite baterij, ki niso predvidene za večkratno polnjenje.

Nevarnost eksplozije!

Baterije hranite izven dosega otrok, ne povzročite kratkega stika baterij in jih ne razstavljajte. Če baterijo zaužijete, takoj obiščite zdravnika. Po potrebi pred vstavljanjem baterij očistite kontakte na bateriji in napravah. Izpraznjene baterije takoj odstranite iz naprave!

Povečana nevarnost iztekanja!

Baterij nikoli ne izpostavljajte prekomerni toploti, na primer sončni svetlobi, ognju ali podobnem!

Obstaja povečana nevarnost iztekanja!

Preprečite stik s kožo, očmi in usti. Dele telesa, ki so prišli v stik s kislino iz baterije, sperite z veliko količino hladne vode in se takoj posvetujte z zdravnikom. Uporabljajte izključno baterije istega tipa. Če naprava dalj časa ne boste uporabljali, odstranite baterije.

Zamenjava baterije:

Če želite zamenjati baterijo, obrnite daljinski upravljalnik in odprite ohišje z uporabo izvijača. Dvignite pokrov in dvignite nadzorno ploščo, ki je pod njim. Baterijo potisnite v eno stran in jo odstranite. Bodite pozorni na polarnost baterije! Daljinski upravljalnik sestavite v obratnem vrstnem redu.

POZOR!

Če baterijo neustrezno zamenjate, obstaja nevarnost eksplozije. Baterijo zamenjajte zgolj z baterijo istega ali enakovrednega tipa (CR2032) 3 V.

PREVIDNO

Če baterijo zamenjate z baterijo napačnega tipa, obstaja nevarnost eksplozije.

Ne zaužijte baterije, nevarnost kemičnih opeklin.

Izdelek vsebuje gumbno baterijo. Če gumbne baterije zaužijete, lahko povzročijo telesne poškodbe ali smrt.

OPOZORILO

- Baterije hranite izven pogleda in dosega otrok, gumbne baterije so lahko za otroke nevarne.
- Izrabljene gumbne baterije takoj odložite. Ne uporabljajte pokvarjenih baterij ali baterij, ki ste jih dali v usta.
- Redno preverjajte, ali je prostor za baterijo nepoškodovan; če je poškodovan, prenehajte z uporabo.
- Če baterijo pogoltnete ali jo vstavite v katerikoli del telesa, takoj poiščite zdravniško pomoč.



Pogonski mehanizem

Pogonskega mehanizma ni potrebno vzdrževati. Redno (vsak mesec) preverjajte, ali so pritrdilni elementi vrat in pogonski mehanizem dobro pritrdeni. Sprostite pogon in preverite, ali vrata pravilno delujejo. Če vrata ne tečejo gladko, ne bodo pravilno delovala s pogonskim mehanizmom. Pogon ne more odpraviti težav, ki jih povzročijo neustrezno delujoča vrata.


Prilaganje končnega stikala in reguliranje sile


Omenjene nastavitve je treba ustrezno izvesti med namestitvijo naprave za odpiranje! Zaradi vremenskih vplivov se lahko med delovanjem pojavijo manjše spremembe na napravi za odpiranje, ki jih je treba odpraviti z novo nastavitvijo. Navedeno se lahko pojavi predvsem v prvem letu delovanja. Pozorno sledite navodilom za nastavitve omejitev premikanja in sile (glejte razdelek Faza priučitve omejitve, strani 11 in 12) in po vsaki novi nastavitvi preverite samodejno varnostno spreminjanje smeri premikanja!

Razstavljanje

POMEMBNO obvestilo! Upoštevajte varnostna opozorila. Glejte „Varnostna navodila“ (strani 2 in 3). Zaporedje, opisano v razdelku „Namestitve“, vendar v obratnem vrstnem redu. Navodila za nastavitve prezrite.

12. ODLAGANJE

 Naše električne in elektronske opreme se ne sme odlagati med gospodinjske odpadke. Po uporabi jo je treba ustrezno določiti v skladu z direktivo OEEU EU: 2012/19/EU; GB UK(NI): SI 2012 št. 19 o odpadni električni in elektronski opremi, da se omogoči recikliranje materialov. Ločeno zbiranje odpadne električne opreme zagotavlja okolju prijazno odlaganje in je povsem brezplačno za stranko. Reg. št. OEEU v Nemčiji: DE66256568. Vso odpadno embalažo, ki ostane pri stranki, je treba zbirati ločeno od mešanih odpadkov, v skladu z direktivo. Embalaže se ne sme odložiti med gospodinjske odpadke, organske odpadke ali v naravo. Embalažo je treba ločiti glede na material in jo odložiti v zagotovljene zbiralnike za recikliranje in določene občinske zbiralnike odpadkov.

 Baterije tržimo v skladu z zakonodajo. Simbol prekrižanega smetnjaka označuje, da baterij ni dovoljeno odlagati med gospodinjske odpadke. Baterije, priložene k izdelku (tehnični podatki). Za preprečitev škodovanja okolju ali zdravju ljudi je treba izrabljene baterije odnesti v občinske centre za recikliranje ali trgovine, kot predpisuje zakon. Baterije se lahko odložijo le povsem izpraznjene, litijevе baterije pa morajo imeti preplepljene priključke. Baterije lahko iz naših izdelkov z namenom odlaganja preprosto odstranite. Številka registracije v Nemčiji: 21002670.

13. GARANCIJA

Ta garancija proizvajalca ne vpliva na vaše zakonske pravice. Garancijske pogoje si lahko ogledate na www.liftmaster.eu.

14. IZJAVA O SKLADNOSTI

Priročnik sestavljajo ta navodila za uporabo in izjava o skladnosti.

Tip radijske opreme (TX4EVF) je v skladu z Direktivo 2014/53/EU, v Združenem kraljestvi pa v skladu s Predpisi o radijski opremi SI 2017 št. 1209.

Celotno besedilo izjave o skladnosti EU je na voljo na naslednjem internetnem naslovu: <https://doc.chamberlain.de>

TARTALOMJEGYZÉK

MEGJEGYZÉS:Az eredeti telepítési és üzemeltetési útmutatót angol nyelven állították össze. Minden egyéb elérhető nyelv az eredeti angol verzió fordítása.

1. BIZTONSÁGI ÚTMUTATÓ ÉS RENDELTETÉS.....	2
2. A SZÁLLÍTÁS TARTALMA.....	4
3. SZÜKSÉGES SZERSZÁMOK.....	4
4. A KAPUMŰKÖDTETŐ ÁTTEKINTÉSE.....	4
5. MECHANIKAI TELEPÍTÉS.....	5
5.1 A kapu és a kapuműködtető méretei.....	5
5.2 Az oszlopkonzol helyzetének meghatározása.....	5
5.3 Oszlopkonzol beszerelése.....	6
5.4 A kapuműködtető beszerelése és a mozgástávolság beállítása.....	6
5.5 Vészkioldó mechanizmus.....	8
5.6 A vezérlőtábla telepítése és a motor huzalozása.....	8
5.7 Elektromos vezetékek.....	8
6. KAPCSOLÁSI RAJZ.....	9
7. PROGRAMOZÁS.....	10
7.1 Kijelző, programozó gombok és funkció beállítások.....	10
7.2 Általános programozási áttekintés.....	10
7.3 A szárnymozgás iránya.....	11
7.4 Alapbeállítások.....	11
7.4.1 Alkalmazás beállítások.....	11
7.4.2 Iránybeállítások, 1. motor.....	11
7.4.3 Iránybeállítások, 2. motor.....	11
7.4.4 A határok tanulása.....	11
7.5 Készenléti üzemmód.....	12
7.6 A távirányítók, rádiós tartozékok és a myQ készülékek programozása és törlése.....	13
7.7 Haladó beállítások.....	14
7.7.1 A haladó beállítások áttekintése.....	14
7.7.2 Jeladó beállítások.....	14
7.7.3 Infravörös fotocella beállítások.....	14
7.7.4 Bemeneti beállítások.....	14
7.7.5 Részleges nyitás, 1. motor.....	15
7.7.6 2. motor késleltetés nyitás irányban.....	15
7.7.7 1. motor késleltetés zárás irányban.....	15
7.7.8 Időzítő a zárashoz (TTC).....	15
7.7.9 Visszafordulási idő az ütközést követően.....	15
7.7.10 E-Lock / Mag-Lock beállítások.....	15
7.7.10a 1. motor tehermentesítés az E-Lock zárhoz.....	16
7.7.11 Villogó fény beállítások.....	16
7.7.11a Elővillogás.....	16
7.7.12 Speciális érintkezési beállítások.....	16
7.7.13 Indulási sebesség nyitás és zárás irányban.....	16
7.7.14 Karbantartás számláló.....	16
7.7.15 Jelszóval védett funkciók és beállítás.....	16
7.7.15a Jelszó beállítás.....	16
7.7.15b Jelszóhasználat.....	17
7.7.15c Jelszómódosítás.....	17
7.7.15d 1. és 2. Motor erő nyitás és zárás irányban.....	17
7.7.15e 1. és 2. motor sebessége nyitás és zárás irányban.....	17
7.7.15f Soft-Stop sebesség.....	18
7.8 Alapértelmezett gyári beállítások.....	18
7.9 Befejezés és kilépés.....	18
8. AKKUMULÁTOROS TARTALÉK ENERGIAELLÁTÁS.....	18
9. HIBAKÓDOK.....	18
10. MŰSZAKI ADATOK.....	19
11. KARBANTARTÁS.....	20
12. ÁRTALMATLANÍTÁS.....	20
13. JÓTÁLLÁS.....	20
14. MEGFELELŐSÉGI TANÚSÍTVÁNY.....	20

1. BIZTONSÁGI ÚTMUTATÓ ÉS RENDELTETÉS

A kézikönyvről - Eredeti kézikönyv

Jelen utasítások az eredeti kezelési utasítások a gépekről szóló 2006/42/EK irányelv szerint. Az útmutató figyelmesen olvasandó a fontos termékinformációk megértése érdekében. Szenteljen figyelmet a biztonsági és figyelmeztető megjegyzéseknek. Tartsa biztonságos helyen a kézikönyvet, hogy később is fellapozhassák, és tegye hozzáférhetővé mindenki számára megtekintés, szerviz, karbantartás és javítás céljából. A telepítést követően adja át a teljes dokumentációt a felelős személynek/tulajdonosnak.

A hozzáértő szerelő végzettsége

A berendezés biztonságos és rendeltetés szerű működését csak egy hozzáértő szerelő (szakember) /cég által az utasításoknak megfelelően elvégzett helyes telepítés és karbantartás biztosíthatja. Szakértő az, aki műszaki képzettsége és tapasztalata alapján elegendő tudással rendelkezik az elektromos kapuk területén és, ezen túlmenően, olyan mértékben ismeri a munkahelyi biztonságra vonatkozó állami rendelkezéseket és általánosan elfogadott technológiai szabályokat, hogy képes biztosítani az elektromos kapuk biztonságos működési feltételeit az EN 13241, 12604, 12453 (EN12635) szabvány szerint.

A telepítő szakembernek az alábbiakkal kell tisztában lennie:


A hajtómű telepítése előtt ellenőrizze a hajtott alkatrész jó mechanikai állapotát, hogy az megfelelően nyílik és záródik-e, illetve ahol szükséges, egyensúlyban van-e. Az első használat előtt, illetve legalább évente egy alkalommal egy szakembernek ellenőriznie kell az elektromos kapu biztonságos üzemi állapotát. A beszerelést követően a telepítő személy gondoskodjon a mechanizmus megfelelő beállításáról, és a védőrendszer valamint a manuális kioldás megfelelő működéséről (EN 13241, EN12604, EN 12453, EN 12635). A szabványokkal összhangban történő rendszeres karbantartás és ellenőrzés szükséges. A telepítő szakembernek fel kell világosítania a többi felhasználót a hajtómű biztonságos működéséről.

A hajtórendszer sikeres telepítését követően a telepítést végző felelős személynek az 2006/42/EK gépdirektívával. Gépek biztosításával kapcsolatos (biztonsági) 2008 SI 2008 No. 1597 rendelkezésekkel összhangban az alábbiakat kell kiadnia: CE megfelelőségi tanúsítvány a kapurendszerre vonatkozóan. Az CE jelöléssel ellátott címkét mellékelni kell a kapurendszerhez. Ez a kézi irányítású kapu modernizálási folyamatában is egy kötelező lépés. Továbbá, ki kell tölteni egy átadási jegyzőkönyvet és egy ellenőrzési könyvet.

Kérjük, olvassa el a kezelési útmutatót, különös tekintettel az óvintézkedésekre. Az utasítások előtt az alábbi szimbólumok találhatóak, a személyi sérülés vagy a vagyoni kár elkerülése érdekében. Olvassa figyelmesen ezeket az utasításokat.

Figyelmeztető szimbólumok

Az általános figyelmeztető szimbólum olyan veszélyt jelez, amely sérülésekhez vagy halálhoz vezethet. A szöveges részben az általános figyelmeztető szimbólumok az alábbiak szerint használatosak.

VESZÉLY szimbólum	FIGYELMEZTETÉS szimbólum	ELŐVIGYÁZATOSSÁG szimbólum	FIGYELEM szimbólum
 VESZÉLY	 FIGYELMEZTETÉS	 ELŐVIGYÁZATOSSÁG	FIGYELEM
Közvetlenül halált vagy súlyos sérülést eredményező veszélyt jelez.	Olyan veszélyt jelez, amely halált vagy súlyos sérülést eredményezhet.	Olyan veszélyt jelez, amely a termék sérülését vagy tönkremenetelét eredményezheti.	Olyan veszélyt jelez, amely a termék sérülését vagy tönkremenetelét eredményezheti.

Rendeltetés

A szárnyaskapu-működtetőt kizárólag sima futású szárnyaskapuk működtetésére tervezték és tesztelték a lakossági, nem kereskedelmi szektorban.

A kapukkal kapcsolatos előírások meghatározására az EN 12604 szabvánnyal összhangban lévő mechanikai követelményeknek megfelelően kerül sor.

A maximum megengedett kapuméretet és súlyt nem szabad túllépni. A kapunak kézi működtetésre is simán kell nyílnia és csukódnia. A kapun csak a vonatkozó szabványoknak és irányelveknek megfelelő kezelőegységet használja. A szárnyak terhelésére vonatkozó helyi feltételeket figyelembe kell venni, amikor az alábbi szabványok szerinti ajtó- vagy kapu paneleket használja: EN13241. Vegye figyelembe a gyártónak az ajtó és a működtető kombinációjára vonatkozó előírásait. Az alábbiakban foglalt lehetséges veszélyeket - EN13241 az ajtó/kapu vonatkozó utasításokkal összhangban történő tervezésével és beszerelésével lehet elkerülni. Jelen kapuműködtető mechanizmus a megfelelő biztonsági szabályokkal összhangban telepítendő és működtetendő.

Helytelen használat

Nem alkalmas folyamatos működtetésre, sem kereskedelmi felhasználásra.

A hajtómű szerkezetét nem a gyártó által meghatározottakon kívüli kapuk működtetésére tervezték.

Lejtőn/emelkedőn futó kapukhoz nem megfelelő.

A hajtómű nem megfelelő használata növelheti a balesetveszélyt. A gyártó nem vállal felelősséget az ilyen használatért. Ha ezt a hajtóművet használja, a kapuknak meg kell felelnie a jelenleg érvényes nemzetközi és ország-specifikus szabványoknak, irányelveknek és rendeleteknek: EN13241, EN12604, EN 12453.

Csak a LiftMaster eredeti kiegészítőit szabad csatlakoztatni a hajtóműhöz. A nem megfelelő telepítés és/vagy az alábbi utasítások nem követése súlyos személyi sérüléssel vagy vagyoni kárral járhat.

A nyilvános helyeken található kapurendszerek, amelyek csak erőkorlátozással rendelkeznek, csak teljes felügyelet mellett működtethetők.

Kiegészítő biztonsági eszközök megfontolandók az alábbiak szerint: EN 12453.

1. BIZTONSÁGI ÚTMUTATÓ ÉS RENDELTETÉS

Működés közben a kapu semmiképp sem képezhet akadályt közutakon és járdákon (közterület).

A kapu beszerelése vagy javítása során szerszámok vagy apró alkatrészek használata közben legyen elővigyázatos, és ne viseljen gyűrűt, órát, sem laza ruházatot.

A beszorulás miatti súlyos személyi sérüléseket elkerülendő, távolítsa el minden, a kapura szerelt zárszerkezetet, a kapu sérülését megelőzendő.

A telepítésnek és a vezetékezésnek a helyi építési és elektromos telepítési szabályokkal, előírásokkal összhangban kell történnie. A tápkábelek csak megfelelően földelt forráshoz csatlakoztathatók.

Telepítést, karbantartást, javítást vagy a burkolatok levételét megelőzően válassza le a rendszert az áramforrásról. A hálózati áramellátó rendszerhez egy leválasztó készüléket kell csatlakoztatni (állandó vezetékekkel ellátott rendszer) a minden póluson történő szétcsatlakoztatást biztosítandó (szigetelő kapcsoló vagy külön biztosíték). A javítási és elektromos telepítési munkálatokat csak jogosult villanyszerelő végezheti. Vészhelyzetre vészleállító gomb telepítése a kockázatelemzés eredménye alapján szükséges.

Gondoskodjon róla, hogy a vezérelt rész és a környező rögzített részek közé szorulás a vezérelt rész nyílása miatt az alábbi szabványokkal összhangban meghatározott biztonsági távolságok figyelembe vételével elkerülhető legyen: EN 13241, EN12604, EN 12453, EN 12635 és/vagy biztonsági eszközökkel (pl. biztonsági kapcsoló) érintés elkerülése.

A hajtómű biztonsági funkciójának ellenőrzését havonta legalább egy alkalommal ajánlott elvégezni. Lásd még a gyártó útmutatóját a kapurendszer elemeiről.

A telepítést követően a rendszer és a biztonsági eszközök teljes működőképességét ellenőrző végső vizsgálatot kell végezni, és valamennyi felhasználóval ismertetni kell a szárnyaskapu-működtető működését és kezelését illető tudnivalókat.

A kapurendszernek meg kell felelniük az erőkorlátnak az alábbi szabványok szerint: EN 12453, EN 60335-2-103.

A rendszer módosításakor a szabványok szerinti kiegészítő biztonsági eszközök (pl. biztonsági kapcsoló) is fontolóra veendőek.

Fontos arról gondoskodni, hogy a kapu minden esetben akadálytalanul mozogjon. A beakadó vagy beragadó kapukat azonnal meg kell javítani. A kapu javítását bízva szakemberre, soha ne próbálja maga megjavítani. A készüléket korlátozott fizikai, érzékszervi vagy szellemi képességekkel rendelkező (a gyermekeket is ideértve), illetve megfelelő tapasztalattal vagy tudással nem rendelkező személyek a biztonságukért felelős személy felügyelete vagy a készülék működtetésétől való távol tartásával. A gyermekeket felügyelni szükséges, biztosítandó, hogy ne játsszanak a készülékkel. Ne engedje, hogy a gyermekek a nyomógommbal/gombokkal vagy a távirányítóval játsszanak. A kapuműködtető rendszer nem megfelelő használata súlyos sérülést eredményezhet.

A figyelmeztető jelzéseket jól látható helyeken kell elhelyezni.

A kapunyitó CSAK akkor használható, ha a felhasználó a teljes kaputerületet látja, és meggyőződött róla, hogy az akadályoktól mentes, illetve a kapuműködtető beállításai helyesek. Mozgás közben tilos a kapu területén áthaladni. Gyermekek a kapu közelében ne játsszanak.

Az esetleges zúródást vagy beszorulást gátló rendszernek a hajtókarok beszerelésekor azonnal működni kell.

A mechanikai vagy elektromos berendezések, illetve a kapu záróelei fennálló veszélyeket rejthetnek, az ütközési pontokon:

- Szerkezeti hiba, szárny, zsanérok, rögzítések, ütközők, szélterhelés
- Zúródás, zsanérok közelében, a kapu alatt, biztonsági távolság rögzített tárgyhoz képest
- Elektromos hiba (Vezérlés - a biztonsági rendszerek hibái)
- Ütközés, érintett felület, tartás, erőkorlát, jelenlét-érzékelés

A kapurendszer szabványok szerinti biztonságos működését biztosítandó megfelelő intézkedéseket kell tenni.

Soha ne kapcsoljon be egy sérült hajtóművet.

A hajtómű kikapcsolásához csak a kézi kioldást használja - ha lehetséges - CSAK, amikor a kapu csukva van. A vészhelyzeti manuális kioldó működtetése a kapu ellenőrizetlen mozgásához vezethet. A Timer-to-Close (TTC) funkció és a myQ Smartphone Control alkalmazás példa a kapu felügyelet nélküli működtetésére.

Minden olyan eszköz vagy funkció, amely anélkül teszi lehetővé a kapunyitást, hogy a kapu látómezőjében lennének, felügyelet nélküli nyitásnak/zárásnak tekintendő.

A Timer-to-Close (TTC) funkció, a myQ Smartphone Control, és minden más myQ eszköz CSAK akkor kapcsolható be, ha Liftmasters fotocellákat is felszereltek (a TTC csak zárás irányban működik). A kaput csak a kapu látóterében való jelenlét mellett szabad működtetni.

FONTOS INFORMÁCIÓ!



- Ez az eljárás magántulajdont képező szerkezeteken (új kapu vagy kézi működtetésű kapu modernizálása) is követendő.

A felhasználó köteles jelen telepítési és kezelési útmutatót megőrizni.

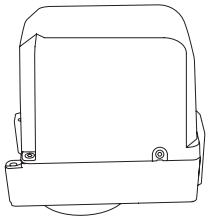
- A gyártó semmilyen felelősséget/jótállást nem vállal a rendeltetésszerű használatból eltérő használatból eredő, illetve a jótállás lejárta követően benyújtott igényeket/követeléseket illetően.
- A jogorvoslat az egyetlen megoldás az összes kapcsolódó jogorvoslatra vonatkozóan.

MEGJEGYZÉS: Kövesse a telepítési és kezelési útmutatót.

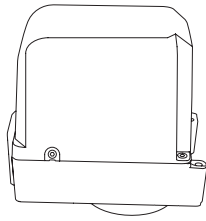
- Minden esetben kövesse figyelemmel a rendszer működését, és hiba esetén azonnal hátrítsa el annak okozóját.
- Évente vizsgálja felül a rendszert. Hívjon szakembert.
- A kapuszárny és a környező tér közötti biztonsági távolságot a vonatkozó szabványok szerint meg kell tartani.
- A kapuműködtető csak stabil és szilárd kapuszárnyakra telepíthető. A kapuszárnyak nyílás és záródás közben nem hajolhatnak meg, se nem fordulhatnak el.
- Gondoskodjon a kapuszárnyak zsanérjainak megfelelő felszereléséről és működéséről, és ellenőrizze, hogy nem képeznek-e akadályt.
- Két működtető egység egyazon kapuszárnyra történő felszerelése szigorúan tilos.
- Kövesse a helyi és nemzeti előírásokban foglalt vonatkozó követelményeket az emberi egészség védelméről szóló intézkedéseket követendő, amelyek minden, más személyekkel, köztük alkalmazottakkal, beszállítókkal és ügyfelekkel való kapcsolatba lépés során érvényesek (pl. biztonsági távolság, maszkviselés, stb.).
- Pontos tájékoztatást a helyi hatóságoktól kérhet.

2. A SZÁLLÍTÁS TARTALMA

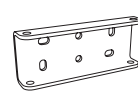
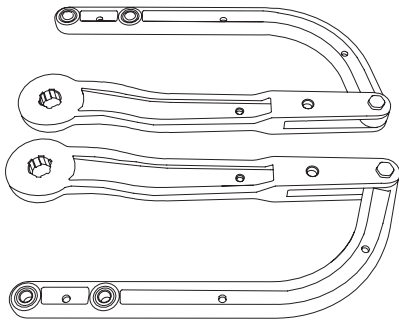
AA250EVK



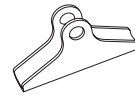
Elsődleges egység
vezérlőtáblával



Másodlagos
egység



Oszlopszerelő
konzol (2x)



Kapuszerelő
konzol (2x)



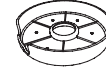
Biztosítógyűrű
(2x)



Biztosítógyűrű
pecek (2x)



Csavar és
anya (4x)



Fedél/burkolat
(2x)



Csavar és
alátét (2x)



Tehermentesítő
4 x M16
2 x M20



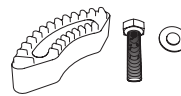
Alátétgyűrű
(6x)



Távírányító
(2x)



Kioltó kulcs
(4x)

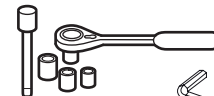
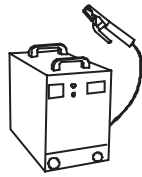
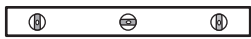
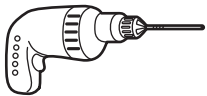


Hardstop (4x)
Csavarok + Alátétek (4x)

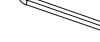


Telepítési
útmutató

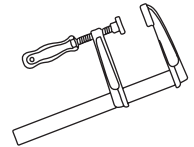
3. SZÜKSÉGES SZERSZÁMOK



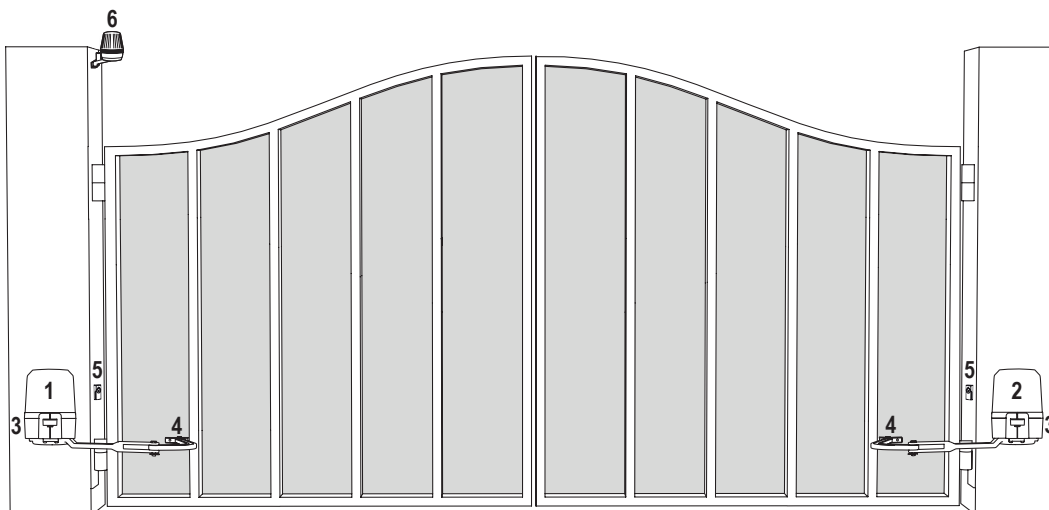
13, 14 mm



6 mm



4. A KAPUMŰKÖDTETŐ ÁTTEKINTÉSE



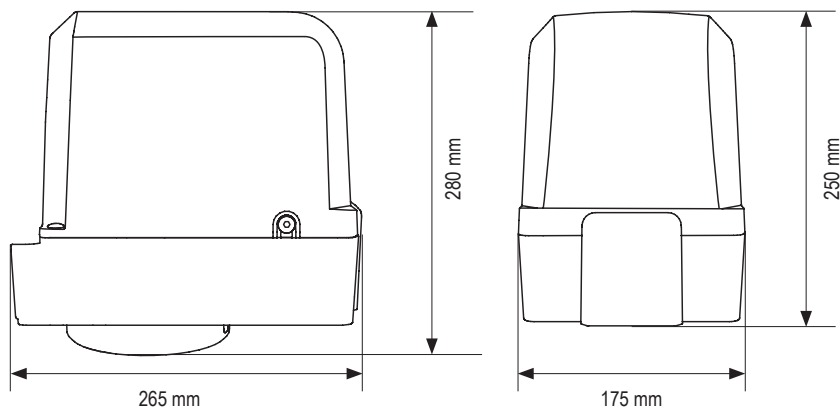
1. 1. motor vezérlőtáblával
2. 2. motor
3. Oszlopkonzol (sülyesztett)
4. Kapukonzol
5. Infravörös fotocellák
6. Villogó lámpa

5. MECHANIKAI TELEPÍTÉS

Ezzel elkezdheti a kapuműködtető mechanikai telepítését.

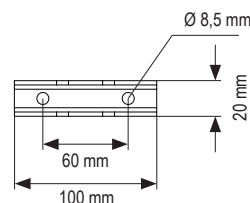
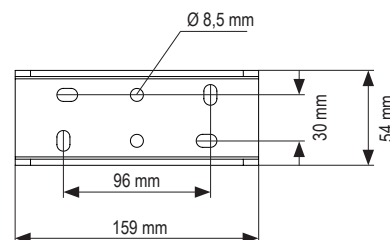
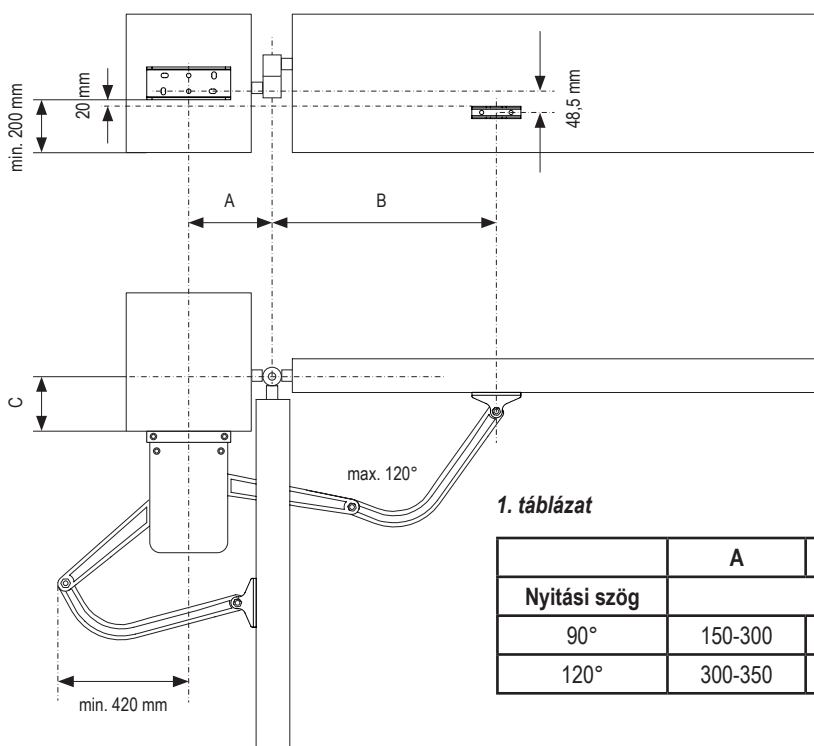
5.1 A kapu és a kapuműködtető méretei

AA250EVK



AA250EVK	
1,5 m	250 kg
2,0 m	200 kg
2,5 m	150 kg

Telepítési példa



1. táblázat

	A	B	C
Nyitási szög	mm		
90°	150-300	390-540	0-300
120°	300-350	300-350	0-25

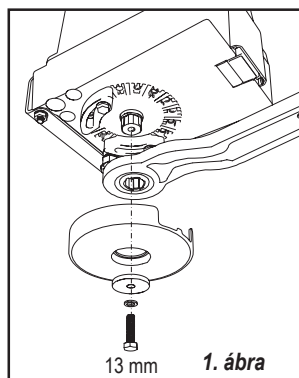
5.2 Az oszlopkonzol helyzetének meghatározása

1. Az 1. táblázatban megadott nyitási szög alapján határozza meg az A, B és C méretet, pontosan kijelölendő a helyet, ahová az oszlopkonzolt szereli.

MEGJEGYZÉS: Minden esetlegesen zúzódással/becsípődéssel fenyegető pontot beszorulásgátlóval kell biztosítani az alábbiak szerint: EN 12453, EN 60335-2-103; GB (UK, NI): BS EN 12453, BS EN 60335-2-103.

Működtető kar beszerelése

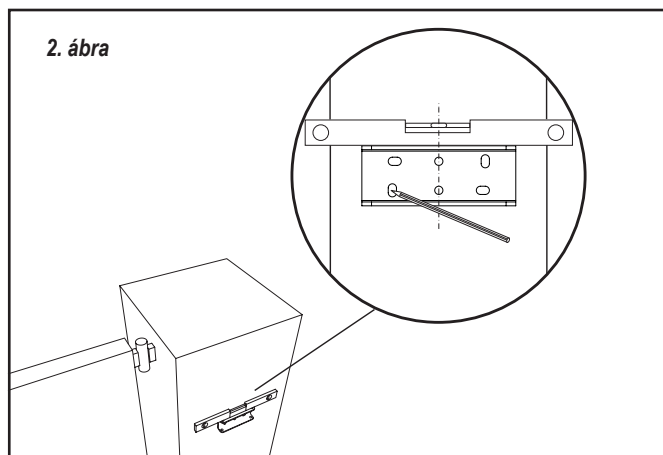
1. Csatlakoztassa a motoros kart a kapunyitó középső részéhez alulról.
2. Biztosítsa a sapkákat a csavarral és az alátéttel.



5. MECHANIKAI TELEPÍTÉS

5.3 Oszlopkonzol beszerelése

1. Az oszlopkonzolt segítségül használva jelölje ki a furatok helyét.
2. A meglévő szerelvénynek (épület / anyag) megfelelő rögzítőanyaggal szerelje fel a konzoloszlopot. Érdeklődjön a kapu gyártójánál.
3. A konzoloszlopon lévő rések lehetővé teszik a beállítást. Amikor az oszlopkonzol vízszintben van, húzza meg az anyákat.



MEGJEGYZÉS: Téglá vagy beton oszlopokhoz használjon megfelelő tipliket és csavarokat. Tartson megfelelő távolságot az oszlopok szélétől. Fém oszlopok esetében vegye figyelembe az oszlop vastagságát, és a konzolt közvetlenül az oszlophoz hegesse vagy csavarozza. Fa oszlopokhoz a megfelelő csavarokat használja, és szükség esetén egészítse ki merevítőlemezrel. Elővigyázatosság: A rögzített konzolok a beszerelést követően és működés közben nem lazulhatnak meg.

5.4 A kapuműködtető beszerelése és a csúszás/mozgástávolság beállítása

1. Igazítsa a kapuműködtetőn lévő furatokat az oszlopkonzol furataihoz, majd a csavarok és anyák segítségével rögzítse őket össze (lásd a 3.a ábrát).
2. Csatlakoztassa a kart a motoregység tengelyéhez (lásd a 3.b ábrát). A műanyag védőburkolatot még ne szerelje fel, ha hard stop működtetőt is tervez beszerelni.
3. A kioldó kulccsal lazítsa meg a kapuműködtető tengelykapcsolóját (lásd a 4. ábrát a 7. oldalon).
4. Állítsa a kapuszárnyat zárt pozícióba.

MEGJEGYZÉS: A rendszernek külső kapu vagy kapuműködtető hard stoppal mindkét irányban működni kell.

5.4.1 Beszerelés külső hard stoppal: (a kapu hard stopjait már beszerelték)

- a. Állítsa a kapukonzolt a kívánt, teljesen zárt pozícióba, ahogyan az a 3.c ábrán látható. Ideiglenesen rögzítse a kapuszárnyhoz, majd csatlakoztassa a működtető karhoz, az A, B és C méretek figyelembe vételével az 1. táblázat szerint.
- b. Kézzel nyissa és zárja a kaput a kívánt állásba. Ügyeljen, hogy a működtető kar ne akadjon meg és a kapu akadálytalanul mozogjon.
- c. A kiválasztott helyes pozícióban rögzítse véglegesre a kapukonzolt.

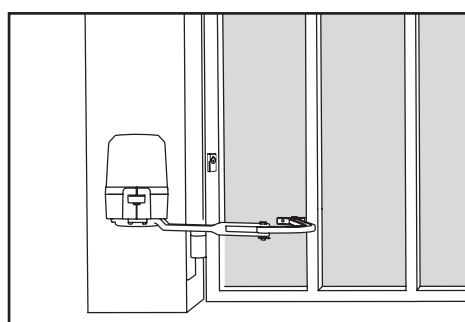
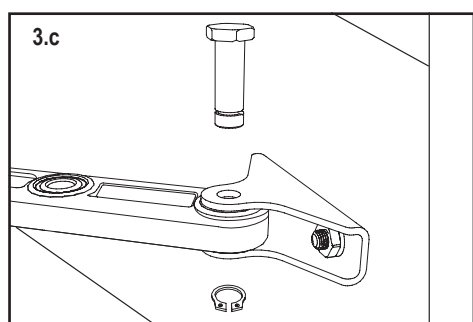
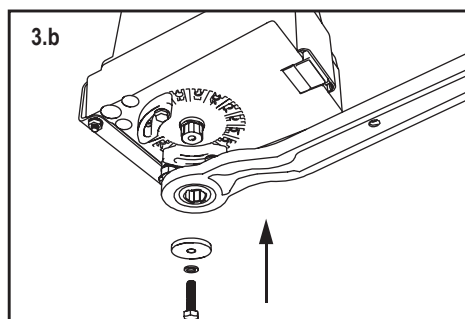
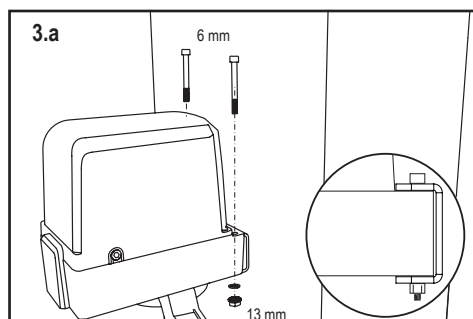
5.4.2 Beszerelés kapuműködtető hard stoppal: (nem szereltek be kapu hard stopot)

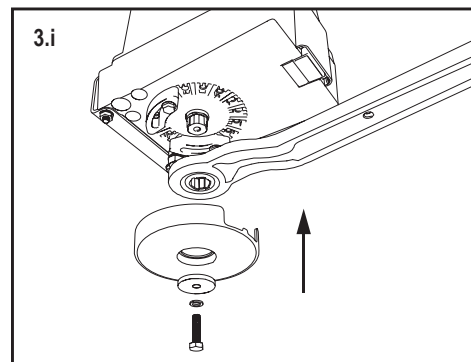
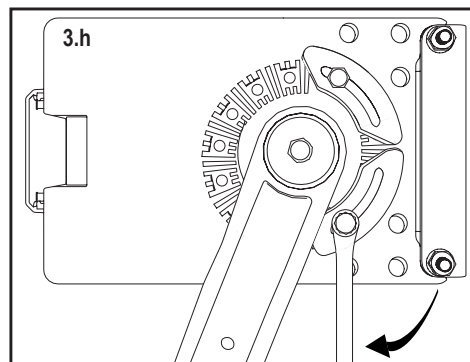
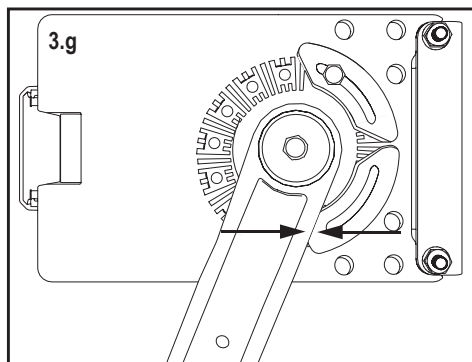
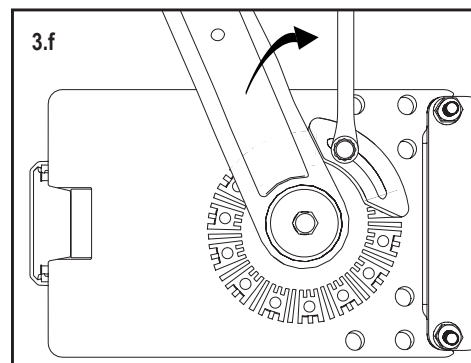
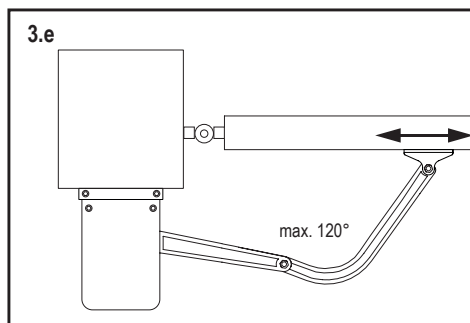
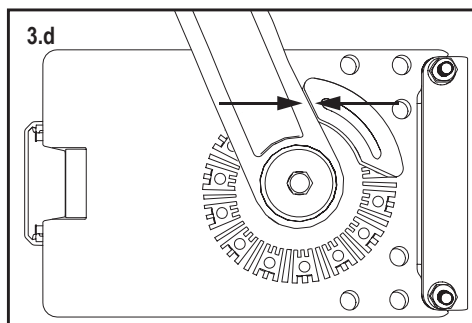
- a. Állítsa a kapukonzolt a kívánt, teljesen zárt pozícióba, ahogyan az a 3.c ábrán látható. Ideiglenesen rögzítse a kapuszárnyhoz (az állításokat lehetővé teendő még ne rögzítse fixen a kapuszárnyhoz), majd csatlakoztassa a működtető karhoz az A, B és C méret figyelembe vételével az 1. táblázat szerint.
- b. Kézzel nyissa és zárja a kaput a kívánt állásba. Ügyeljen, hogy a működtető kar ne akadjon meg és a kapu akadálytalanul mozogjon.
- c. Rögzítse a kapuműködtető hard stopot „zárt” állásba, a karhoz a lehető legközelebb (lásd a 3.d ábrát). Tartsa a kapuszárnyat a kívánt „zárt” állásban, és állítsa be a kapukonzol helyzetét, hogy a kar a „zárt” állásban lévő hard stopnak nyomódjon (lásd a 3.e és 3.f ábrát).
- d. A kiválasztott helyes pozícióban rögzítse véglegesre a kapukonzolt.
- e. Nyissa a kaput a kívánt „nyitott” állásba, helyezze el és rögzítse a kapuműködtető hard stopot „nyitott” állásba, a karhoz a lehető legközelebb (lásd a 3.g és a 3.h ábrát).
- f. Szerelje fel a védőburkolatot a kapuműködtető aljára (lásd a 3.i ábrát).

4.3 Kapuműködtető és kapu hard stop kombinációja engedélyezett. Kövesse a fent leírt beállítási eljárásokat.

5. Ismétlje meg a lépéseket a másik oldali egység számára.

3. ábra



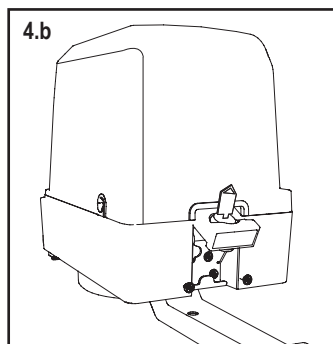
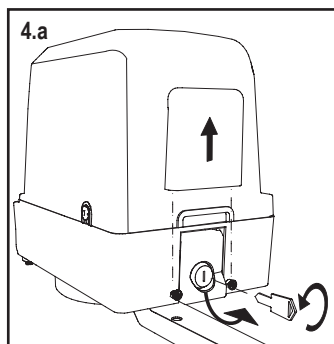


5.5 Vészkioldó mechanizmus

A kioldó mechanizmus kikapcsolásához vegye le a műanyag burkolatot, dugja be a kulcsot, majd forgassa el 90°-kal.

Húzza fel a tengelykapcsolót (lásd a 4. ábrát). A kioldó mechanizmus újbóli aktiválásához tolja le a tengelykapcsolót, majd forgassa el a kulcsot 90°-kal.

4. ábra



TELEPÍTÉS

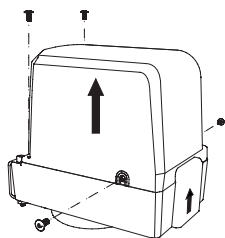
5.6 A vezérlőtábla telepítése és a motor huzalozása

A vezérlőtáblát már előre telepítették az elsődleges egységbe, és vezetékeit az 1. motor csatlakozóvégeihez vezették.

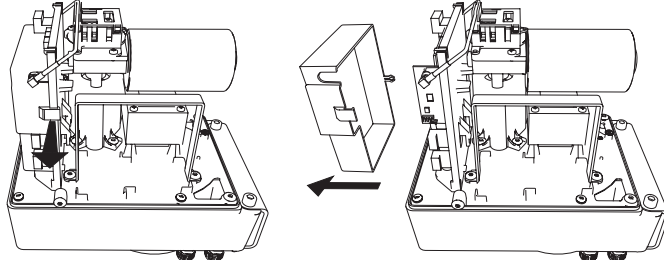
A vezérlőtáblához való hozzáférés érdekében az elsődleges egységben lazítsa meg a 2 csavart a burkolat oldalain, és a 2 csavart az elsődleges egység hátoldalán (lásd az 5. ábrát).

A vezetékek fogadására szolgáló csatlakozóvégek közvetlenül elérhetők. A programozó gombok eléréséhez vegye le az átlátszó műanyag burkolatot, majd helyezze vissza, miután befejezte a programozást (lásd a 6. ábrát). Vegye le a másodlagos egység burkolatát az elsődleges egységéhez hasonlóan, hogy hozzáférhessen a motor csatlakozóvégeihez (lásd a 7. ábrát).

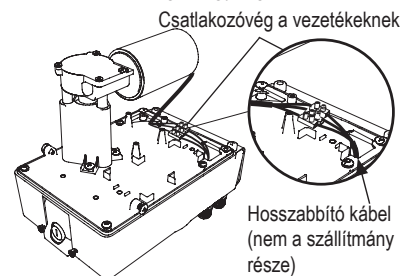
5. ábra A burkolat levétele



6. ábra Elsődleges egység



7. ábra Másodlagos egység



Az alapértelmezett beállítások szerint az elsődleges egységet bal oldalra (ha belülről kifelé nézzük), a másodlagos egységet pedig jobb oldalra szerelik be. Amennyiben az elsődleges egységet jobb, a másodlagos egységet pedig bal oldalra szerelték, módosítsa a «d1» és «d2» funkció beállításait.

1. motor csatlakozás

MEGJEGYZÉS: Az 1. MOTORHOZ csatlakoztatott kapuműködtető mindig elsőnek nyit és utolsónak zár.

Mindezt vegye figyelembe az Alap- és a Haladó beállításoknál egyaránt (Programozás szakasz).

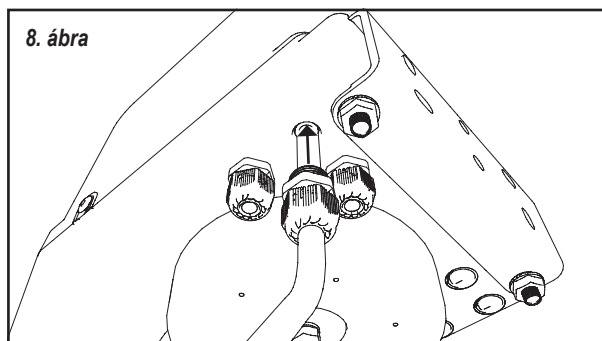
Az elsődleges egységet más az 1. MOTOR csatlakozóvégeihez kötötték. Az 1. motor vezetékezése/huzalozása nem igényel további lépéseket.

2. motor csatlakozás

MEGJEGYZÉS: A 2. MOTORHOZ csatlakoztatott kapuműködtető mindig utolsónak nyit és elsőnek zár.

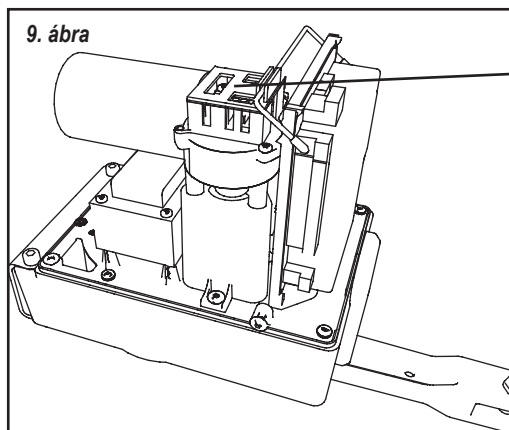
Mindezt vegye figyelembe az Alap- és a Haladó beállításoknál egyaránt (Programozás szakasz).

1. Csatlakoztassa a hosszabbító kábelt (nem a szállítmány része) a másodlagos egység huzalcsatlakozó végeihez (lásd a 7. ábrát).
Ügyeljen a másodlagos motor kábeleinek színeire, hogy azok illeszkedjenek a 2. MOTOR vezérlőtáblájának csatlakozóvégeihez.
2. Vezesse a másodlagos motor hosszabbító kábelét az elsődleges egység alján található egyik tömszelencén keresztül (lásd a 8. ábrát). Ügyeljen, hogy a motornak azt az oldalát használja, ahol a kar nem tudja elválni a kábeleket a nyitó és a záró mozgás során.
3. Csatlakoztassa a másodlagos motor kábeleit a 2. MOTOR csatlakozóvégeihez az alábbi módon: a piros kábelt a RED (PIROS) véghez, a zöld kábelt a GRN (ZÖLD) véghez, a fehér kábelt pedig a WHT (FEHÉR) véghez a vezérlőtáblán.



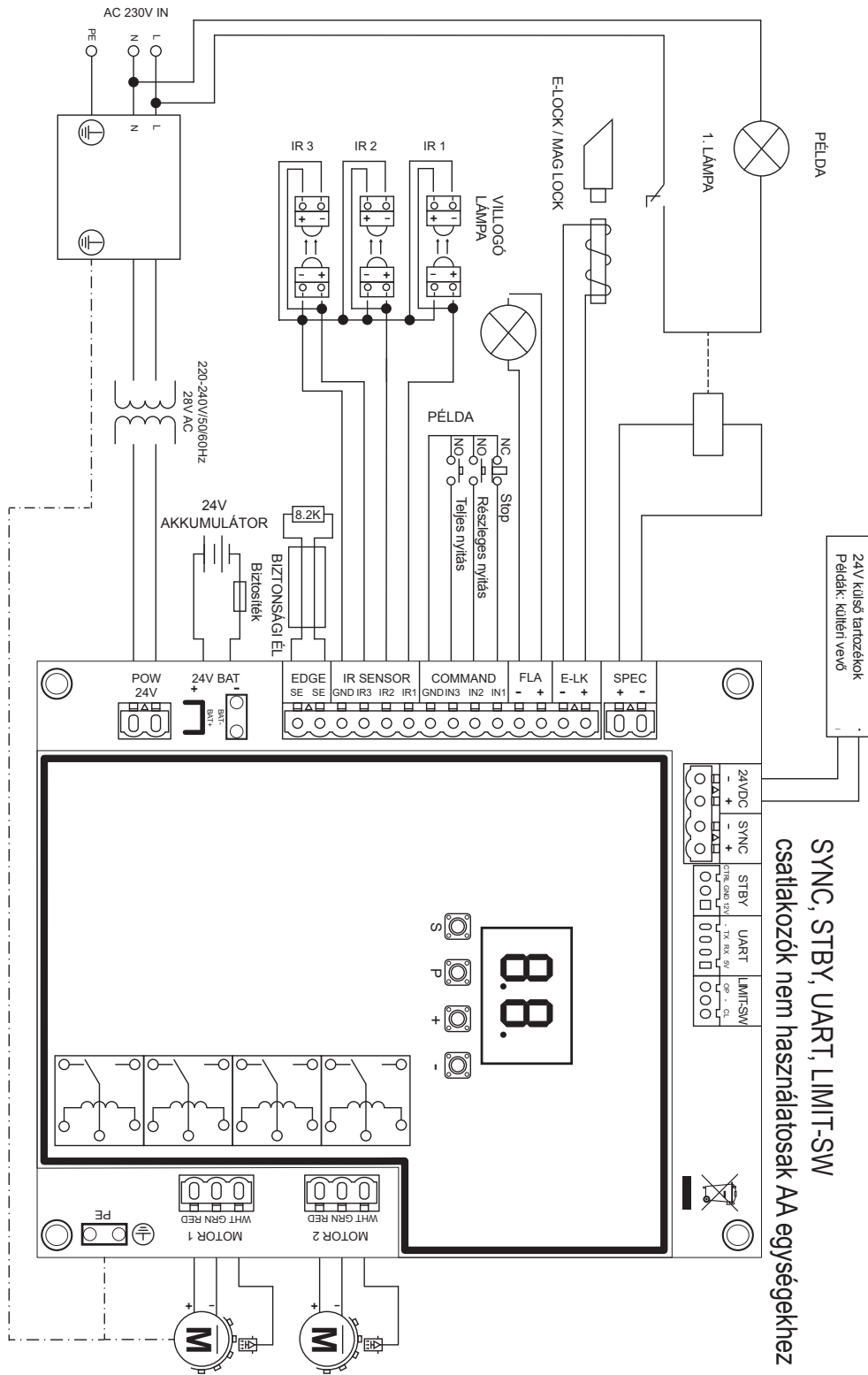
5.7 Elektromos vezetékek

A hálózati tápvezetékét minősített villanyszerelő szakember építse ki.



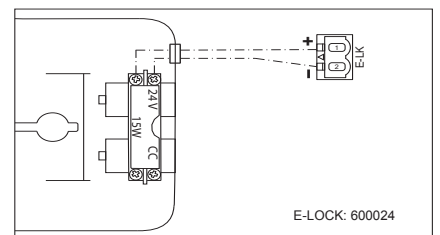
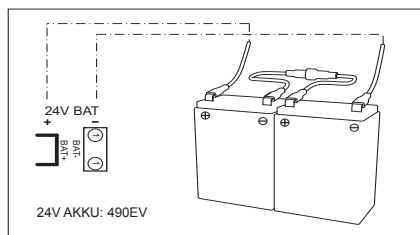
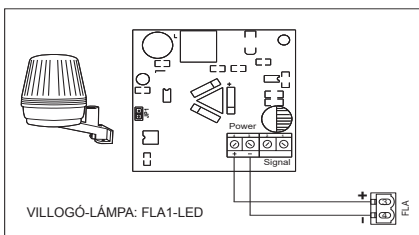
Gratulálunk! Ezzel befejezte a kapuműködtető mechanikai telepítését. A működtetés megkezdéséhez folytassa a Programozással és az alapbeállításokkal.

6. KAPCSOLÁSI RAJZ



24V külső relézések
Példák: kültéri ventilátor

SYNC, STBY, UART, LIMIT-SW
csatlakozók nem használhatók AA egységekhez



7. PROGRAMOZÁS

7.1 Kijelző, programozó gombok és funkció beállítások

Programozó gombok funkció (4 gomb):

Gomb	Funkció
S	program / távirányítók és specifikus funkciók törlése
P	belépés a programozás módba, funkció kiválasztása és mentés
+/-	A menü görgetése és az érték módosítása a kijelzőn

A funkció és a programozott értékek a LED kijelzőn láthatók.

Funkció beállítás - programozás mód

A LED kijelző az alábbi értékeket mutatja a vezérlőtábla bekapcsolását követően:

	A vezérlőtábla az adott alkalmazáshoz előre programozott (lásd alább az „Alkalmazás” és a „Készenlét mód” fejezetet az állapotjellemzéshez).
	“E0”, ha a vezérlőtáblát még nem programozták, vagy a „Gyári alapértelmezett” funkcióval visszaállították. Ebből az állapotból egy bemeneti vagy adóról érkező parancs mindig figyelmen kívül lesz hagyva.

Ezennel megkezdheti a kapuműködtető programozását.

Általános programozási áttekintés

A programozás 2 szakaszra bomlik:

1. Alapbeállítások (11. oldal)
2. Haladó beállítások (14. oldal)

Az alapbeállítások elkészültével az alábbi paraméterek automatikus megtanulása következik a Tanulási szakasz során:

1. Mozdáshossz a **TELJESEN ZÁRT** állásból a **TELJESEN NYITOTT** állásba.
2. Minden egyes motor nyitó és záró ereje.

MEGJEGYZÉS:

- A működés lehetővé tételéhez az Alapbeállításoknak és a Tanulási szakasznak meg kell történnie.
- A Tanulási szakasz és a Programozás befejeztét követően a kapuműködtető az alapértelmezett beállítások szerint fog működni.
- A haladó beállítások nem érhetők el, amíg az Alapbeállítások és a Tanulási szakasz be nem fejeződött.
- **A programozás előtt győződjön meg róla, hogy az adott biztonsági eszközök csatlakoznak.**

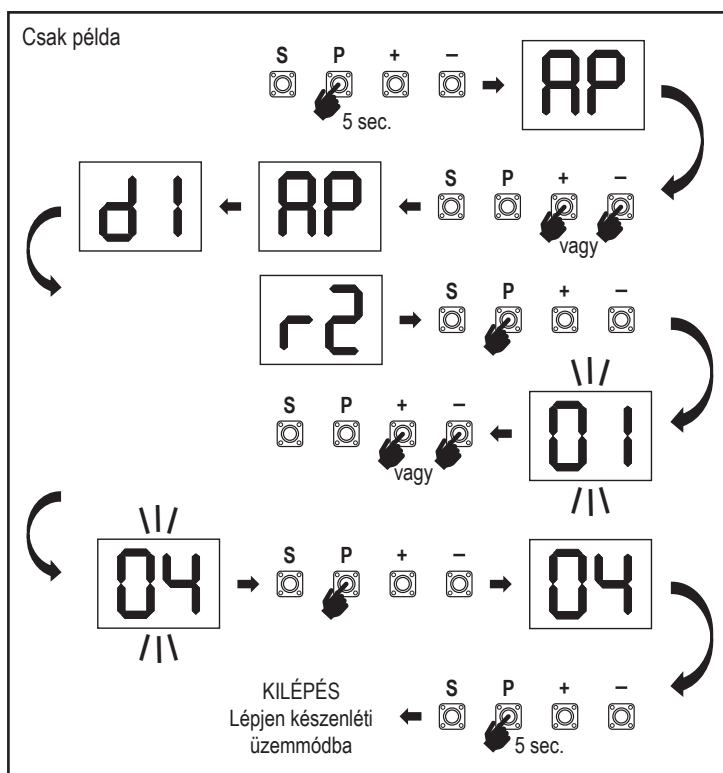
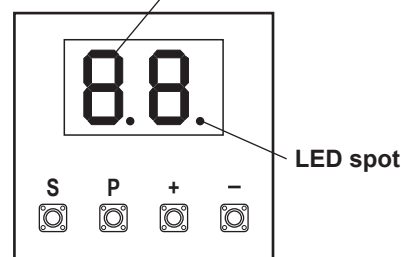
Általános beállítás:

1. Nyomja meg és tartsa nyomva a “P” gombot 5 másodpercen át a menübe lépéshez. Az “AP” a kijelzőn az első elérhető funkciót jelzi a menüben.
2. Használja a “+” és “-” gombokat a funkciók közötti váltáshoz.
3. Nyomja meg a „P” gombot a kívánt funkció kiválasztásához.
4. Az alapértelmezett beállítás vagy az előzőleg programozott érték fog megjelenni. Ezt az érték villogása jelzi a képernyőn.
5. Használja a “+” vagy “-” gombot a kívánt érték kiválasztásához. A kiválasztott érték megerősítéséhez használja a “P” gombot.
6. A programozott funkció megjelenik a kijelzőn.
7. Másik funkció beállításának módosításához ismétlje a #2 - #6 pontban foglalt lépéseket.
8. A Funkció menüből való kilépéshez nyomja meg a “P” gombot és tartsa nyomva 5 másodpercen át, majd a tábla Készenléti módba vált.

Amennyiben nem nyomja meg a “P” gombot az új érték beállításának megerősítéséhez, az új beállítások 3 perc elteltével kerülnek mentésre, a programozás kilép a menüből, majd visszatér a Készenléti módba.

MEGJEGYZÉS: A kapu működtetéséhez vagy bármely parancs végrehajtásához ki kell lépni a Beállítások menüből a “P” gomb 5 másodpercen át tartó nyomásával vagy a FE funkció kiválasztásával, illetve a 3 percet követő automatikus kilépéssel és a Készenléti módba való visszatéréssel.

2 számjegyes LED kijelző



7. PROGRAMOZÁS

7.3 A szárnymozgás iránya

A programozás előtt kézzel mozgassa a kaput középállásba, majd aktiválja ismét a kioldó mechanizmust (lásd a 7. oldalt).

Nyomja meg és tartsa nyomva a „-“ gombot a vezérlőtáblán, és gondoskodjon róla, hogy a motorok **ZÁRÁS** irányba mozogjanak. Amennyiben rendben van, azonnal engedje el a „-“ gombot és a kapuütközőket.

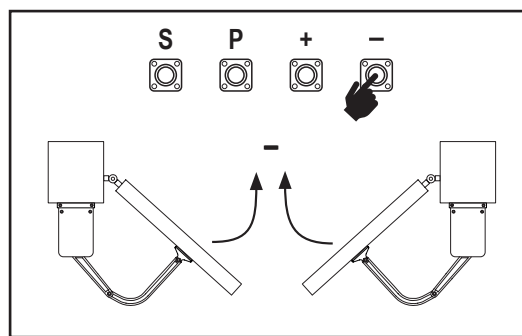
Amennyiben a motorok **NYITÁS** irányba mozognak, lépjen a „d1” és „d2” funkciókba, és módosítsa az irány-beállításokat.

Miután a **ZÁRÁS** irányt helyesen beállította, hagyja a kaput középső állásban. A kapuütködőt készen áll a tanulási szakaszra.

Megjegyzés: a kaput a „+” és a „-“ gombokkal mozgathatja a végleges beállítások előtt, ha szükséges.

Nyomja meg és tartsa nyomva a „+” gombot a vezérlőtáblán, hogy a kaput **NYITÁS** állásba mozgassa. Amikor a gombot elengedi, a kapuütködőt leáll.

Nyomja meg és tartsa nyomva a „-“ gombot a vezérlőtáblán, hogy a kaput **ZÁRÁS** állásba mozgassa. Amikor a gombot elengedi, a kapuütködőt leáll.



7.4 Alapbeállítások

Az alapbeállítások áttekintése

LED		Funkció
		Alapbeállítások (kötelező)
AP	AP	Alkalmazás
d1	d1	1. motor irány
d2	d2	2. motor irány
LL	LL	Határ tanulási szakasz

7.4.1 Alkalmazás beállítások

Az alkalmazás funkció megjelenik a kijelzőn. Ezt a funkciót gyárilag beállították, 05 értékre.

AP

05	Szárnyas kapu, két motor AA250 alkalmazáshoz (alapértelmezett)
-----------	--

Kérésre több beállítás áll rendelkezésre:

00	Nincs alkalmazás kiválasztva
04	Szárnyas kapu, egy motor AA250 alkalmazáshoz

A 01-03, 06 és 07 érték az AA250 alkalmazáshoz nem megfelelő, és nem választható

7.4.2 1. motor iránybeállítások

d1

Az 1. motor irány funkció megjelenik a kijelzőn. Meghatározza az 1. motor mozgási irányát.

01	Az 1. motor zárás irányba mozog, ha jobb oldalra telepítették.
02	Az 1. motor zárás irányba mozog, ha bal oldalra telepítették (alapértelmezett).

7.4.3 2. motor iránybeállítások

Az 2. motor irány funkció megjelenik a kijelzőn.

Meghatározza az 2. motor mozgási irányát. „Egy motoros” alkalmazás esetén nem elérhető.

d2

01	Az 2. motor zárás irányba mozog, ha jobb oldalra telepítették (alapértelmezett).
02	Az 2. motor zárás irányba mozog, ha bal oldalra telepítették.

7.4.4 A határok tanulása

LL

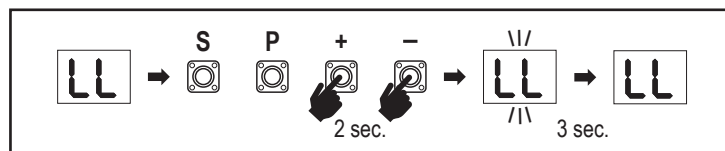
A Tanulási szakasz megkezdése előtt gondoskodjon róla, hogy:

1. Más alapbeállítások befejeződtek
2. Belső / külső hard stopokat telepítettek (szárnyas kapukhoz)
3. Az első mozgás **ZÁRÁS** irányba történik.

Rendelkezésre álló tanulási módszerek:

Standard tanulási mód (automata)

1. Nyomja meg és tartsa nyomva a „+” és „-“ gombot 2 másodpercig.
2. Az automata tanulási folyamat elkezdődik. Az LL a teljes folyamat során villogni fog a kijelzőn.
3. A 2. szárny **ZÁRÁS** irányba mozog, amíg a hard stopot el nem éri, majd megáll.
4. Az 1. szárny **ZÁRÁS** irányba mozog, amíg a hard stopot el nem éri, majd 2 másodpercre megáll. Majd az 1. szárny kezd **NYITÁS** irányba mozogni, amíg a hard stopot el nem éri.
5. A 2. szárny **NYITÁS** irányba mozog, amíg a hard stopot el nem éri, 2 másodpercre megáll, majd **ZÁRÁS** irányba halad tovább, amíg a hard stopot el nem éri, és megáll.
6. A 1. szárny **ZÁRÁS** irányba mozog, amíg a hard stopot el nem éri, majd megáll.
7. A standard tanulási folyamat befejeződik. Az LL megjelenik a kijelzőn, a tábla pedig 3 másodperc elteltével visszatér készenlét módba.



MEGJEGYZÉS: Az egy motoros alkalmazás során a „2. szárny” műveletei nem használatosak.

A Standard tanulási módban az alábbi beállítások történnek:

1. Mozcshossz a **TELJESEN ZÁRT** állásból a **TELJESEN NYITOTT** állásba.
2. Minden egyes motor nyitó és záró ereje.
3. A Soft Stop funkcióhoz mindkét irányban a teljes elmozdulás 15%-a társul.
4. A szárnyak késleltetése nyitás és zárás pozícióban 2 másodperc. Amennyiben módosítani kívánja a késleltetést, lépjen a Haladó beállításokba: 2. motor késleltetése (d0) és 1. motor késleltetése (dC).

7. PROGRAMOZÁS

Haladó tanulási mód (a Soft Stop pozíció kézi beállítása)

1. Nyomja meg és tartsa nyomva a "+ és -" gombot 2 másodpercig.
2. Az automata tanulási folyamat elkezdődik. Az LL a teljes folyamat során villogni fog a kijelzőn.
3. A 2. szárny **ZÁRÁS** irányba mozog, amíg a hard stopot el nem éri, majd megáll.
4. Az 1. szárny **ZÁRÁS** irányba mozog, amíg a hard stopot el nem éri, majd 2 másodpercre megáll.
5. Az 1. szárny **NYITÁS** irányba indul, alapértelmezett sebességgel.
6. A Soft Stop kezdetének meghatározásához az 1. szárny esetében **NYITÁS** irányban, nyomja meg a "P" gombot a kívánt indulási ponton. Az 1. szárny tovább nyílik, amíg a hard stopot el nem éri, majd megáll.
7. Az 2. szárny **NYITÁS** irányba mozdul, alapértelmezett sebességgel.
8. A Soft Stop kezdetének meghatározásához az 2. szárny esetében **NYITÁS** irányban, nyomja meg a "P" gombot a kívánt indulási ponton. A 2. szárny tovább nyílik, amíg a hard stopot el nem éri, 2 másodpercre megáll, majd **ZÁRÁS** irányba halad tovább alapértelmezett sebességgel.
9. A Soft Stop kezdetének meghatározásához az 2. szárny esetében **ZÁRÁS** irányban, nyomja meg a "P" gombot a kívánt indulási ponton. A 2. szárny tovább csukódik, amíg a hard stopot el nem éri, majd megáll.
10. Az 1. szárny **ZÁRÁS** irányba mozdul, alapértelmezett sebességgel.
11. A Soft Stop kezdetének meghatározásához az 1. szárny esetében **ZÁRÁS** irányban, nyomja meg a "P" gombot a kívánt indulási ponton. Az 1. szárny tovább csukódik, amíg a hard stopot el nem éri, majd megáll.
12. A haladó tanulási folyamat befejeződik. Az LL megjelenik a kijelzőn, a tábla pedig 3 másodperc elteltével visszatér készenlét módba.

MEGJEGYZÉS: Az egy motoros alkalmazás során a „2. szárny” műveletei nem használatosak.

A Haladó tanulási módban az alábbi beállítások programozása történik:

1. Mozgáshossz a **TELJESEN ZÁRT** állásból a **TELJESEN NYITOTT** állásba.
2. Minden egyes motor nyitó és záró ereje.
3. A Soft Stop kiindulási pozíciója.
4. A szárnyak késleltetése nyitás és zárás pozícióban 2 másodperc. Amennyiben módosítani kívánja a késleltetést, lépjen a Haladó beállításokba: 2. motor késleltetése (d0) és 1. motor késleltetése (dC).

MEGJEGYZÉS: A Tanulási szakasz befejezéséhez nyomja meg az "S" gombot. A Tanulási szakasz megszakad, az "LE" fog villogni a LED kijelzőn. 5 másodperc elteltével az "LL" jelenik meg a kijelzőn, jelezve a Tanulási szakasz ismételt megkezdésére való kész állapotot.

Ha a Tanulási szakasz nem fejeződött be, újra kell csinálni.

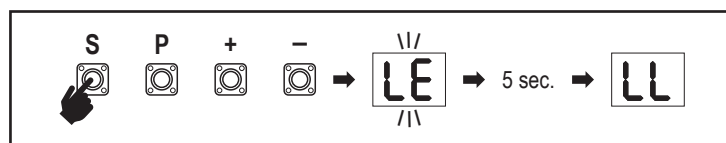
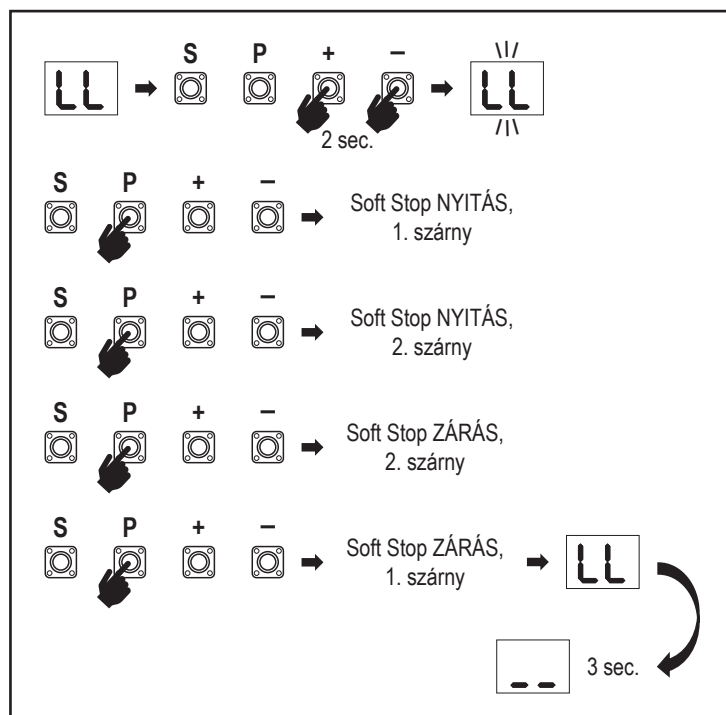
FIGYELEM: A működés lehetővé tételéhez a Tanulási szakasznak meg kell történnie.

7.5 Készenléti üzemmód

Miután a vezérlőtábla bekapcsolt és a programozás befejeződött, a LED kijelző 2 másodpercen át világít, majd készenlét módba vált. Készenlét mód során a LED kijelző a kapu aktuális állását mutatja.

	Két motor (alapértelme- zett)	Egy motor
A motor nyit, a kijelző felső része villog.		
A motor megáll nyitás pozícióban, a kijelző felső része bekapcsol.		
A motor zár, a kijelző alsó része villog.		
A motor megáll zárás pozícióban, a kijelző alsó része bekapcsol.		
A motor középen megáll, a kijelző közepe bekapcsolt.		

Ezzel az alapbeállítások befejeződtek. Kiléphet a Programozásból, és működtetheti a kaput vagy továbbléphet a Haladó beállításokra.



7. PROGRAMOZÁS

7.6 A távirányítók, rádiós tartozékok és a myQ készülékek programozása és törlése

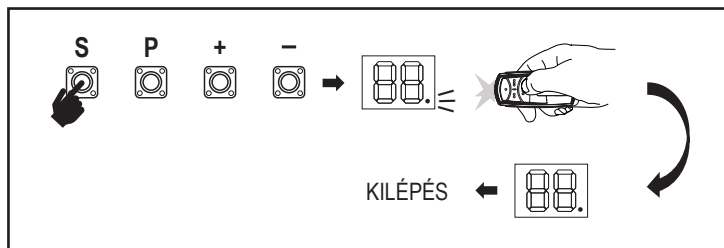
Program távirányító eszközök (adók és vezeték nélküli fali vezérlők:

MEGJEGYZÉS: a kapuműködtetővel szállított távirányítókat a gyárban már előre tanították (felső gomb a LED mellett), és nem igényelnek plusz programozást.

1. Nyomja meg és engedje el az "S" gombot. Egy LED pont kapcsol BE a kijelzőn. A kapuműködtető 3 percen át Rádió programozás módban marad. Bármely rádiós kiegészítő eszköz az első 30 másodpercben tanítható. A fennmaradó 2,5 percben csak a myQ eszközök taníthatók.
2. Válassza a kívánt gombot az adókészüléken és tartsa, amíg pont a kijelzőn kikapcsol.

Új távirányító programozásához ismételje meg a lépéssort.

A vezeték nélküli billentyűzet programozásához kövesse az adott tartozék kézikönyvében foglaltakat.



Az adókészülék programozása Részleges nyitásnál

Nyomja meg és tartsa nyomva az "S" és a "+" gombot egyszerre, amíg a LED pont villogni kezd. Nyomja meg és tartsa nyomva a kívánt szabad gombot az adókészüléken a Részleges nyitás mód programozásához.

A LED pont kikapcsol, amikor a programozás befejeződött. Amennyiben a SPEC kapcsolóhoz világítás kapcsolódik, egyszer villog.

A myQ átjáró (828EV) programozása:

1. Csatlakozás

Csatlakoztassa az átjáróval rendelkező ethernet kábelt (1) a routerhez (2). Használja az adott országban megfelelő csatlakozót (nem minden modell). Csatlakoztassa az áramforrást (3) az internetes átjáróhoz (4). Amikor az internetes átjáró az internethez csatlakozik, a zöld fény (5) abbahagyja a villogást és folyamatosan világít. A myQ működtetéséhez kötelező az összekapcsolt IR készlet.

2. Fiók létrehozása

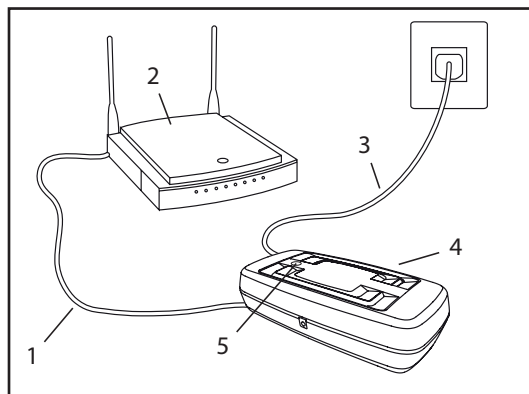
Töltse le az ingyenes myQ alkalmazást az App vagy a Google Play áruházból, majd hozzon létre egy fiókot. Ha már rendelkezik egy fiókkal, használja a felhasználónevét és jelszavát.

3. Az internetes átjáró regisztrálása

Kérésre adja meg az internetes átjáró alján található sorozatszámot.

4. myQ eszközök hozzáadása

Ahhoz, hogy a kapuműködtetőt a regisztrált átjáróhoz adja, kövesse az útmutatót az alkalmazásban. Új myQ működőképes kapuműködtető hozzáadásakor nyomja meg és engedje el az "S" gombot a kapuműködtető vezérlőtábláján. Egy LED pont kapcsol BE a vezérlőtábla kijelzőjén.



Megjegyzés: Miután hozzáadta az eszközt, az internetes átjárón található kék fény felvillog és világít. Nyomja meg az "S" gombot a kapuműködtető vezérlőtábláján a rádió programozás módból való kilépéshez.

5. Teszt

A telepítést és a megfelelő regisztrációt követően most az alábbi funkciókat tesztelheti: kapu nyitása vagy zárása, KAPU NYITÁS vagy KAPU ZÁRÁS állapot kérése.

Több funkciót illetően lásd a www.liftmaster.eu oldalt.

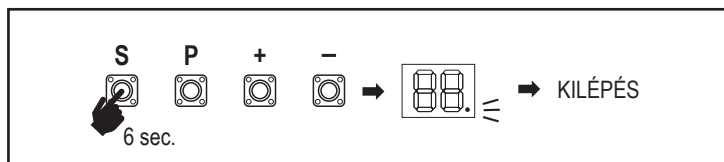
Rádiós vezérlőeszközök törlése (adókészülékek, vezeték nélküli fali vezérlők, vezeték nélküli billentyűzetek):

Nyomja meg és tartsa nyomva az "S" gombot > 6 másodpercig. Minden rádiós vezérlőeszközt (adókészülékek, fali vezérlők, billentyűzetek) töröl. A LED pont a kijelzőn KIKAPCSOL. Megjegyzés: A rádiós vezérlőeszközök egyenként nem törölhetők.

myQ eszközök törlése:

1. Előbb törölje a távirányító eszközöket, a fentiek szerint.
2. A következő 6 másodpercen belül nyomja meg és tartsa nyomva az "S" gombot. Egy LED pont kapcsol BE a kijelzőn.
3. Nyomja meg és tartsa nyomva az "S" gombot > 6 másodpercig. Minden myQ eszközt törölt. A LED pont a kijelzőn KIKAPCSOL.

MEGJEGYZÉS: A myQ eszközök egyenként nem törölhetők. Csak a myQ eszközök nem törölhetők.



7. PROGRAMOZÁS

Megkezdheti a Haladó beállításokat.

7.7 Haladó beállítások

LED		Funkció
	tr	Adókészülék
	r1	IR1 fotocella
	r2	IR2 fotocella
	r3	IR3 fotocella
	i1	Bemenő 1. parancs
	i2	Bemenő 2. parancs
	i3	Bemenő 3. parancs
	Pd	Részleges nyitás, csak 1. motor
	d0	2. motor késleltetés nyitás irányban
	dC	1. motor késleltetés zárás irányban
	tC	Időzítő a záráshoz (TTC)
	rt	Visszafordulási idő az ütközést követően
	EL	E-lock
	rb	1. motor tehermentesítés az E-Lock zárhoz

LED		Funkció
	FL	Villogó lámpa
	PF	Elővillogás
	SP	Speciális érintkezés
	St	INDULÁSI sebesség nyitás és zárás irányban
	Cn	Karbantartás számláló
	PS	Jelszó
	F1	1. Motor erő nyitottban (PS védi)
	F2	1. Motor erő zártban (PS védi)
	F3	2. Motor erő nyitottban (PS védi)
	F4	2. Motor erő zártban (PS védi)
	S1	Motorok sebessége nyitottban (PS védi)
	S2	Motorok sebessége zártban (PS védi)
	SF	SOFT-STOP sebesség nyitottban és zártban (PS védi)
	Fd	Alapértelmezett gyári beállítás
	FE	Befejezés és kilépés

7.7.2 Jeladó beállítások

A jeladó funkciója határozza meg, a Jeladó parancsai hogyan működnek.

Megjegyzés: "01", "02" és "03" beállítás mellett a TTC időzítőt a jeladó parancsa felülírja, és BECSUKJA a kaput.

"04" beállítás mellett az aktív TTC időzítő visszaszámlálás visszaállításra kerül, hogy a jeladótól érkező parancs újraindítsa.



	Lakossági mód: Nyit – Zár – Nyit
	Standard mód: Nyit – Megáll – Zár – Megáll – Nyit (Alapértelmezett)
	Automata Stop móddal: Nyit – Megáll – Zár – Nyit
	Autóparkolás mód: Nyit, a nyitott állás befejezéséhez. A nyitás közbeni további parancsot nem veszi figyelembe.

7.7.3 Infravörös fotocella beállítások



Az IR funkciók határozzák meg az infravörös fotocellák (IR) működési módját.

Az IR-ek telepítéskor automatikusan tanulnak.

A 3 IR készlet egyenként programozható.



MEGJEGYZÉS: A kiválasztott beállításoktól függően a Részleges nyitás bemenő jelei vagy a távirányítóból érkező parancsok nem kerülnek végrehajtásra sem NYITÁS, sem ZÁRÁS irányban, ha az IR sugár akadályoztatott. Amennyiben az IR-eket eltávolítja, a vezérlőtablett kétszer KI/BE kell kapcsolni a törléshez.

A fotocellák felülvizsgálatához és karbantartásához lásd a fotocellákhoz mellékelt kézikönyvet.

	IR aktív ZÁRÁS mozgáskor. Ha az IR sugár akadályozott, a kapu teljes NYITOTT állásba fordul vissza (Alapértelmezett).
	IR aktív NYITÁS mozgáskor. Ha az IR sugár akadályozott, a kapu megáll. Az akadály elhárulását követően a kapu tovább NYÍLIK.
	Az IR aktív NYITÁS és ZÁRÁS során. Ha az IR sugár ZÁRÁSKOR akadályozott, a kapu megáll, és az akadály megszűnését követően a kapu visszafordul teljes NYITOTT állásba. Ha az IR sugár NYITÁSKOR akadályozott, a kapu megáll. Az akadály elhárulását követően a kapu tovább NYÍLIK.
	IR aktív ZÁRÁS mozgáskor. Ha az IR sugár akadályozott, a kapu teljes NYITOTT állásba fordul vissza. A bekapcsolt TTC funkció a sugár akadályoztatásának megszűnését követő 2 másodpercen belül felülíródik, és elkezd a ZÁRÁST, nem várva a TTC idő lejártáig.

7.7.4 Bemeneti beállítások



A bemeneti funkció határozza meg a külső tartozékoktól érkező bemenő parancsok végrehajtásának módját. A 3 bemenet egyenként programozható.

MEGJEGYZÉS: "01", "02" és "03" beállítás mellett a TTC időzítőt egy bemenő parancs felülírja, és BECSUKJA a kaput. "06" beállítás mellett az aktív TTC időzítő visszaszámlálás visszaállításra kerül, hogy a bemenő parancs újraindítsa.

7. PROGRAMOZÁS

01	Nyit – Zár – Nyit
02	Nyit – Megáll – Zár – Megáll – Nyit (Alapértelmezett)
03	Nyit – Megáll – Zár – Nyit
04	Részleges nyitás, csak 1. motor
05	STOP (NC érintkező)
06	Nyit, a teljes NYITOTT állásig. A nyitás közbeni további nyitás parancsot nem vesz figyelembe.
07	Zár, a teljes ZÁRT állásig. A zárás közbeni további zárás parancsot nem vesz figyelembe.
08	Nyit – Megáll – Nyit – Megáll
09	Zár – Megáll – Zár – Megáll
10	Nyit, tart a csúszáshoz
11	Zár, tart a csúszáshoz

7.7.5 Részleges nyitás, 1. motor

Pd

Az 1. motor részleges nyitása csak arra ad lehetőséget, hogy az aktív szárnyat egy előre beállított értékig nyissa.

MEGJEGYZÉS: A Pd parancs a Zárás határpozíciótól kezdve és a záró mozgás során fog működni. Ha egy teljesen NYITOTT állásból kezdődik a Pd parancs végrehajtása, a kapu becsukódik.

Egy Nyitás vagy jeladótól érkező parancs minden esetben felülírja a Pd parancsot.

01	50% nyitót
02	75 % nyitót (alapértelmezett)
03	100% nyitót

1. Nyomja meg és tartsa nyomva az "S" és a "+" gombot egyszerre, amíg a LED pont villogni kezd.
2. Nyomja meg és tartsa nyomva a kívánt szabad gombot az adókészüléken a Részleges nyitás mód programozásához.
3. A LED pont kikapcsol, amikor a programozás befejeződött. Amennyiben a SPEC kapcsolóhoz világítás kapcsolódik, egyszer villog.

7.7.6. 2. motor késleltetés nyitás irányban

pd

A 2. motor késleltetése NYITÁS irányban funkció az 2. motor késleltetését határozza meg NYITÁS irányban. „Egy motoros” alkalmazás esetén nem elérhető. Hátrafelé történő mozgás vagy IR sugár megszakadását követően nem hajtható végre egyik irányban sem.

00	nincs késleltetés (mindkét szárny egyszerre nyílik)
01	1 másodperc
02	2 másodperc (Alapértelmezett)
03	3 másodperc
04	4 másodperc

7.7.7. 1. motor késleltetés zárás irányban

dc

Az 1. motor késleltetése ZÁRÁS irányban funkció az 1. motor késleltetését határozza meg ZÁRÁS irányban. „Egy motoros” alkalmazás esetén nem elérhető. Hátrafelé történő mozgás vagy IR sugár megszakadását követően nem hajtható végre egyik irányban sem.

00	nincs késleltetés (mindkét szárny egyszerre indul)
01	1 másodperc
02	2 másodperc (Alapértelmezett)
...	... másodperc
20	20 másodperc

7.7.8 Időzítő a záráshoz (TTC)

tc

A TTC funkció a kapu automatikus zárását teszi lehetővé teljesen NYITOTT állásból egy előre beállított időtartamot követően. A TTC működésének engedélyezéséhez legalább egy pár LiftMaster infravörös fotocella (IR) telepítése szükséges a záró mozgást figyelemmel követendő. A TTC nem fog működni, ha az IR csak a nyitó mozgást védi.

A TTC bekapcsolt részleges nyitás mellett is működni fog. Amennyiben a TTC funkció aktív, az időzítő visszazámlál, és az IR sugarak megszakításra kerülnek, a TTC időzítő újraindul.

00	TTC nem aktív (Alapértelmezett)	05	1 perc
01	10 másodperc	06	1,5 perc
02	20 másodperc	07	2 perc
03	30 másodperc	08	3 perc
04	45 másodperc	09	5 perc

7.7.9 Visszafordulási idő az ütközést követően

rt

A visszafordulási idő az ütközést követően funkció a visszaforduló viselkedést határozza meg egy akadályoztatást követően záró vagy nyitó mozgás közben. Ez a visszaforduló viselkedés a motorerő észlelésre és a biztonsági él alkalmazásra egyaránt érvényes.

01	2 másodperc visszafordulás és megállás
02	Visszafordulás a végállásig (Alapértelmezett)
03	A zárás során, ütközéskor a kapu visszafordul nyitó állásba. Nyitás során, ütközéskor a kapu 2 másodpercen át visszafelé halad, majd megáll

7.7.10 E-Lock / Mag-Lock beállítások

el

Az E-Lock funkció az e-lock/mag-lock viselkedést határozza meg. 24VDC – 500mA e-lock vagy mag-lock csatlakoztatható.

00	e-lock/mag-lock nincs telepítve (Alapértelmezett)
01	e-lock aktív 1 másodpercig, mielőtt az 1. motor nyitás irányba indul
02	az e-lock aktív 2 másodpercig, mielőtt az 1. motor nyitás irányba indul
03	A mágneszár ZÁRT kapunál folyamatosan aktív; vagy NYITÓ és ZÁRÓ mozgásnál folyamatosan inaktív, ahogyan NYITOTT kapu vagy MEGÁLLÁS esetén is. A mágneszár az akkumulátoros tartalék üzemmódban kikapcsol.

7. PROGRAMOZÁS

7.7.10a 1. motor tehermentesítés az E-Lock zárhoz

rb

Az 1. motor tehermentesítés az e-lock funkcióhoz lehetővé teszi az 1. motor rövid ZÁRÁS irányba tolását az e-lock zárása előtt, a túlnyomás megszüntetése érdekében az e-lock zárón.

Nem áll rendelkezésre, ha az EL funkció értékét „00”-ra vagy „03”-ra állították (az e-lock nem csatlakozik / mag-lock csatlakozik).

00	kikapcsolt (Alapértelmezett)
01	1 másodpercig aktív
02	2 másodpercig aktív

7.7.11 Villogó fény beállítások

FL

A villogó fény funkció lehetővé teszi a csatlakozó villogó lámpa típusának kiválasztását.

24VDC- max 500 mA Villogó lámpa (FLA1-LED) csatlakoztatható.

00	nem telepítettek villogó lámpát (Alapértelmezett)
01	folyamatos 24V áramellátás - saját vezérlőtáblával rendelkező villogó lámpához (FLA1-LED)
02	megszakított 24V áramellátás - saját vezérlőtáblával nem rendelkező villogó lámpához

7.7.11a Elővillogás

PF

Az elővillogás funkció a villogó lámpa elővillogásának idejét határozza meg a kapu mozgása előtt. A funkció nem aktív, ha a villogó lámpa (FL) funkciót „00”-ra állították.

00	nincs elővillogás (Alapértelmezett)	03	3 másodperc
01	1 másodperc	04	4 másodperc
02	2 másodperc	05	5 másodperc

7.7.15 Jelszóval védett funkciók és beállítás

7.7.15a Jelszó beállítás

PS

A jelszóval védett funkciók, mint például az erő és a sebesség, módosítása előtt a Tanulási szakasznak be kell fejeződnie és a jelszót be kell állítani. Jelszó programozásához válassza a „PS” funkciót.

MEGJEGYZÉS: „00” nem használható jelszóként. Csak alapértelmezett beállításként használatos.

A jelszóval védett funkciók nem elérhetők, ha nem állították be új jelszót. A védett funkciók módosításához jelszó szükséges a beállítást követően.

Új jelszó beállítása:

1. Válassza a „PS” funkciót és nyomja meg a „P” gombot.
2. A kijelzőn a „00” villog.
3. Használja a „+” és „-” gombot az új jelszó beállításához.
4. Nyomja meg a „P” gombot.
5. Az újonnan beállított jelszó értéke 2 másodpercen át látható a kijelzőn. Ezt követően a kijelző „PS” értékre vált.

Olyan helyre jegyezze fel a jelszót, ahol később megtalálja.

7.7.12 Speciális érintkezési beállítások

SP

A speciális érintkezés funkció a relé bekapcsolásának idejét határozza meg. Más eszközök, pl. belső világítás kezeléséhez 24V-os max 500mA relé csatlakoztatható. Az itt beállított idő a myQ távoli világítást illető visszaszámlálást is szabályozza.

00	nem aktív (Alapértelmezett)	05	1,5 perc
01	15 másodperc	06	2 perc
02	30 másodperc	07	3 perc
03	45 másodperc	08	4 perc
04	1 perc	09	5 perc

7.7.13 Indulási sebesség nyitás és zárás irányban

St

Az indulási sebesség (Start Speed) funkció lehetővé teszi a Soft-Start KI és BE kapcsolását NYITÁS és ZÁRÁS irányban.

00	kikapcsolt (Alapértelmezett)
01	Soft Start aktív: a motorok fokozatosan gyorsulnak, amíg eléri a normál sebességet.
02	Hard Start aktív: a motorok a szokásos sebességgel indulnak, és az első másodpercben az erőérzékelőt nem veszik figyelembe.

7.7.14 Karbantartás számláló

Cn

A karbantartás számláló funkció lehetővé teszi a karbantartási intervallumok ciklusok szerinti beállítását.

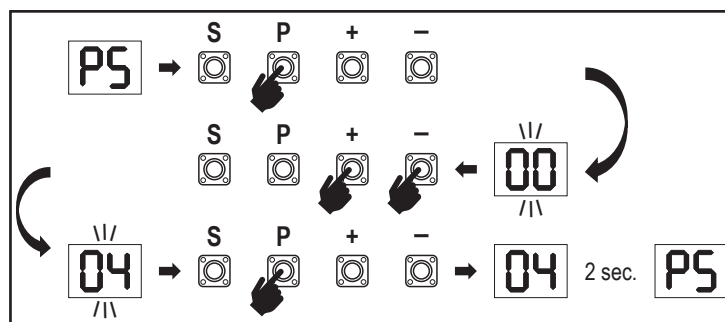
A villogó lámpa 4 másodperces elővillogása jelzi az intervallum elérését. Amennyiben a PF funkció (elővillogás) aktív, 4 másodpercnyi elővillogás adódik hozzá a beállított időhöz. A számláló karbantartást követő alaphelyzetbe állításakor elegendő a ciklusokat még egyszer programozni.

00	nincs számláló (Alapértelmezett) ciklus
01	1000 ciklus	20	20000 ciklus
02	2000 ciklus		

FIGYELEM

A jelszóval védett funkciók (erő és sebesség) bármely módosítása a sebesség és az erő ellenőrzését kívánja az alábbi szabványok szerint, EN 12453, EN 60335-2-103.

00	Nincs jelszó kiválasztva (Alapértelmezett)
01 → 02 → → 99	Választás rendelkezésre áll



7. PROGRAMOZÁS

7.7.15b Jelszóhasználat

- Válassza a "PS" funkciót és nyomja meg a "P" gombot.
- A kijelzőn a "00" villog.
- Használja a "+" és "-" gombot a helyes jelszó beviteléhez, majd nyomja meg a "P" gombot a megerősítéshez.
- Amennyiben helyes jelszót adott meg, a kijelzőn 2 másodpercen át látható az érték, majd a "PS" értéket mutatja.
- Válassza ki a beállítandó védett funkciót.

MEGJEGYZÉS: Amennyiben a megadott jelszó nem helyes, a "00" érték villog 5 másodpercen át, majd "PS" értékre vált. A védett funkciók eléréséhez használjon helyes jelszót.

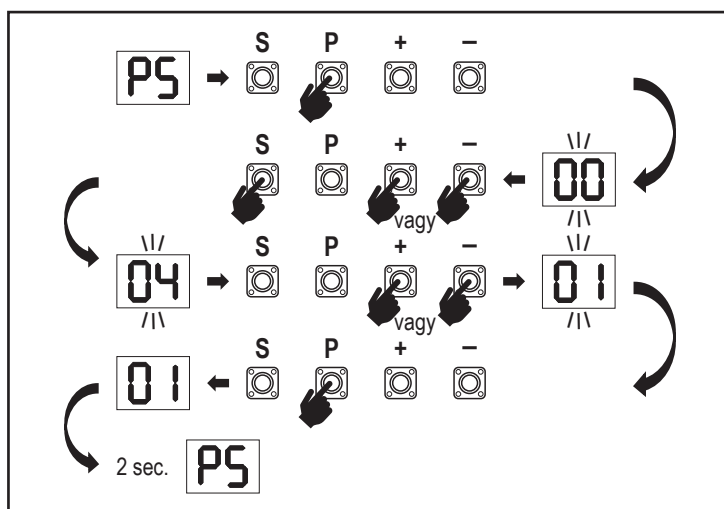
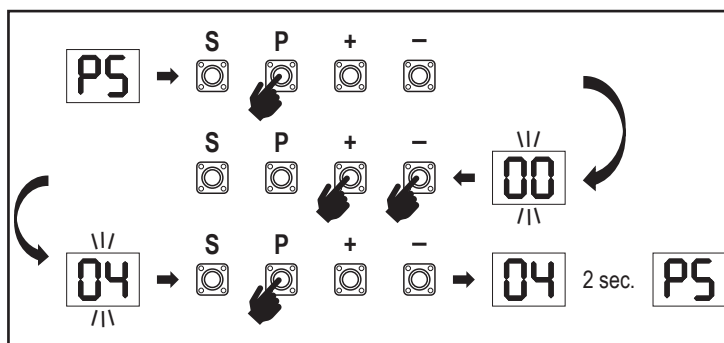
Figyelem: A jelszóval védett Haladó beállításokat csak képzett szakember végezheti el. Az EU alábbi követelményeinek kell teljesülnie: EN 12453, EN 13241; GB (UK, NI): EN 12453, EN 13241; GB (UK, NI) BS EN 12453, BS EN 13241.

7.7.15c Jelszómódosítás

- Válassza a "PS" funkciót és nyomja meg a "P" gombot.
- A kijelzőn a "00" villog.
- Használja a "+" vagy "-" gombot az aktuális jelszó beviteléhez, majd nyomja meg az "S" gombot. Az érték villogni kezd.
- Használja a "+" vagy "-" gombot az ÚJ jelszó beviteléhez, majd nyomja meg a "P" gombot.
- Az módosított jelszó értéke 2 másodpercen át látható a kijelzőn. Ezt követően a kijelző "PS" értékre vált.

MEGJEGYZÉS: Amennyiben helytelen (aktuális) jelszót adott meg, a „00” villog 5 másodpercen át, majd „PS”-re vált. A jelszót nem módosították.

Ha a jelszó elveszett, használja a Gyári alapbeállítások funkciót (Fd) az alapértelmezett beállításokhoz való visszalépéshez. (A rádió memória kivételével) minden beállítás törölődik. Lásd a 18. oldalon



7.7.15d 1. és 2. Motor erő nyitás és zárás irányban

F1

1. Motor erő NYITÁS irányban

Az 1. Motor erő NYITÁS irányban lehetővé teszi az erőállítást a Tanulási szakaszban beállított erőn felül. A funkció eléréséhez meg kell adni a jelszót.

00	Normál erő (Alapértelmezett)	02	+30%
01	+15%	03	+50%

1. Motor erő ZÁRÁS irányban

F2

Az 1. Motor erő ZÁRÁS irányban lehetővé teszi az erőállítást a Tanulási szakaszban beállított erőn felül. A funkció eléréséhez meg kell adni a jelszót.

00	Normál erő (Alapértelmezett)	02	+30%
01	+15%	03	+50%

2. motor erő NYITÁS irányban

F3

Az 2. Motor erő NYITÁS irányban lehetővé teszi az erőállítást a Tanulási szakaszban beállított erőn felül. A funkció eléréséhez meg kell adni a jelszót.

00	Normál erő (Alapértelmezett)	02	+30%
01	+15%	03	+50%

2. Motor erő ZÁRÁS irányban

F4

Az 2. Motor erő ZÁRÁS irányban lehetővé teszi az erőállítást a Tanulási szakaszban beállított erőn felül. A funkció elérése jelszó megadásához kötött.

00	Normál erő (Alapértelmezett)	02	+30%
01	+15%	03	+50%

7.7.15e 1. és 2. motorsebesség nyitás és zárás irányban

S1

1. és 2. motorsebesség NYITÁS irányban

Az 1. és 2. motor sebesség NYITÁS irányban lehetővé teszi a nyitási sebességnek a Tanulási szakasz során beállított sebességhez viszonyított állítását. A funkció eléréséhez meg kell adni a jelszót.

00	Normál sebesség (Alapértelmezett)	04	+50%
01	+10%	05	-10%
02	+20%	06	-20%
03	+30%		

7. PROGRAMOZÁS

1. és 2. Motor sebesség ZÁRÁS irányban

52

Az 1. és 2. motor sebesség ZÁRÁS irányban lehetővé teszi a zárási sebességnek a Tanulási szakasz során beállított sebességhez viszonyított állítását. A funkció eléréséhez meg kell adni a jelszót.

00	Normál sebesség (Alapértelmezett)	04	+50%
01	+10%	05	-10%
02	+20%	06	-20%
03	+30%		

7.7.15f Soft-Stop sebesség

SF

A Soft-Stop sebesség funkció a Soft-Stop sebesség állítását teszi lehetővé a Tanulási szakasz során beállított alapértelmezett értékekhez viszonyítva. A Soft-Stop sebesség az alapértelmezett normál sebesség 50%-a. A normál sebesség módosítása hatással van a Soft-Stop sebességre is. A funkció eléréséhez meg kell adni a jelszót.

00	Normál sebesség (Alapértelmezett)	04	-50%
01	-10%	05	+10%
02	-20%	06	+20%
03	-30%		

7.8 Alapértelmezett gyári beállítások

Fd

Az alapértelmezett gyári beállítások funkció visszaállítja a vezérlőtáblát az eredeti gyári beállításokra. Minden beállítás, a határbeállításokkal együtt, törlésre kerül. A LED kijelző az "E0" értéket mutatja. A programozott távirányítók megmaradnak a memóriában. A törölendő távirányító kiegészítőket illetően lásd jelen kézikönyv vonatkozó Rádióvezérlők programozása fejezetét.

00	nincs visszaállítás (Alapértelmezett)
01	az alapértelmezett gyári beállítások visszaállítása

7.9 Befejezés és kilépés

FE

A programozási szakaszból való kilépéshez és minden módosítás mentéséhez, lépjen az FE funkcióra és nyomja meg a "P" gombot. A vezérlőtábla Készenléti módba áll, és működésre kész.

A programozásból máshogyan is ki lehet lépni, illetve menteni lehet a módosításokat:

- Nyomja meg, majd tartsa nyomva a "P" gombot 5 másodpercig
- Az automatikus kilépéshez várjon 3 percet a programozás során tett legutóbbi módosítást követően

8. AKKUMULÁTOROS TARTALÉK ENERGIAELLÁTÁS

Akkumulátoros tartalék energiaellátás (BBU)

BU

Az E-Boxba tetszés szerint 12V, 2,2Ah ólomakkumulátorok (SKU 490EV) (választható, a csomag nem tartalmazza) szerelhetők. A pontos beszerelési eljárást illetően kövesse az SKU 490EV kézikönyvét. (Amennyiben beszerelték), egy villogó lámpa fog 10 percenként 2 másodpercen át villogni a BBU üzemmódot és az áramkimaradást jelző. A vezérlőtábla készenléti üzemmódba kapcsol az aktív rádióvevővel, és csak rádióvezérlésű eszközök parancsait fogadja. A többi tartozék és a perifériás készülékek nem működnek. Akkumulátoros tartalék energiaellátás módban a myQ okostelefonos vezérlés és a vezeték nélküli myQ eszközök kikapcsolnak. Egy teljesen feltöltött akkumulátor teljesítménye akár ~20 ciklust tud támogatni óránként 2 alkalommal. 24 órás BBU üzemmódot követően az akkumulátor 1 teljes nyitási és zárási ciklushoz elegendő energiát képes biztosítani. Ügyeljen, hogy csak a meghatározott akkumulátor használható. Másféle akkumulátor használata a jótállás és a LiftMaster nem engedélyezett akkumulátorok használatából eredő bármely kapcsolódó kárért vállalt felelősségének elvesztését vonja maga után.

9. HIBAKÓDOK

LED	Hiba-kód	Probléma	Lehetséges ok	Megoldás
E0	E0	Megnyomja a jeladót, a kapu azonban nem mozdul	Az AP beállított értéke 00	Ellenőrizze, hogy a beállított AP érték 00. Amennyiben igen, módosítsa helyes beállításra.
E1	E1	A kapu nem záródik, de nyílni tud.	1) Az IR1 nem csatlakozik, vagy a vezeték megszakadt. 2) Az IR1 vezeték rövidre zárt vagy fordítva van bekötve. 3) Az IR1 nem jól áll, vagy egy pillanatra akadályoztatva van.	1) Ellenőrizze az IR1 csatlakozását, illetve a vezeték épségét. 2) Ellenőrizze az IR1 csatlakozását, szükség szerint cserélje a vezetékeket. 3) Állítsa be az IR adó-vevő készüléket, biztosítva, hogy mindkét LED világít, nem pedig villog. Ellenőrizze, hogy nem lóg-e valami a kapun, ami az IR-t blokkolhatja.
E2	E2	A kapu bezáródik, amikor a nyitási határpontra van, de nem tud kinyílni, amikor a zárási határpontra van.	1) Az IR2 nem csatlakozik, vagy a vezeték megszakadt. 2) Az IR2 vezeték rövidre zárt vagy fordítva van bekötve. 3) Az IR2 nem jól áll, vagy egy pillanatra akadályoztatva van.	1) Ellenőrizze az IR2 csatlakozását, illetve a vezeték épségét. 2) Ellenőrizze az IR2 csatlakozását, szükség szerint cserélje a vezetékeket. 3) Állítsa be az IR adó-vevő készüléket, biztosítva, hogy mindkét LED világít, nem pedig villog. Győződjön meg róla, hogy semmi nem akadályozza az IR-t.
E3	E3	Megnyomja a jeladót, a kapu azonban nem mozdul.	1) Az IR3 nem csatlakozik, vagy a vezeték megszakadt. 2) Az IR3 vezeték rövidre zárt vagy fordítva van bekötve. 3) Az IR3 nem jól áll, vagy egy pillanatra akadályoztatva van.	1) Ellenőrizze az IR3 csatlakozását, illetve a vezeték épségét. 2) Ellenőrizze az IR3 csatlakozását, szükség szerint cserélje a vezetékeket. 3) Állítsa be az IR adó-vevő készüléket, biztosítva, hogy mindkét LED világít, nem pedig villog. Ellenőrizze, hogy nem lóg-e valami a kapun, ami az IR-t blokkolhatja.
E4	E4	Megnyomja a jeladót, a kapu azonban nem mozdul.	A biztonsági él nem csatlakozik a 8,2 kOhm-os ellenálláshoz. 2) A biztonsági él vezetéke rövidre zárt. 3) A biztonsági él nyomódik.	1) Ellenőrizze, hogy a 8,2 kOhm-os biztonsági él megfelelően csatlakozik-e, vagy hogy a 8,2 kOhm-os ellenállást beszerelték-e. 2) Ellenőrizze a biztonsági él vezetékét, majd szükség szerint cserélje. 3) Ellenőrizze, hogy a biztonsági él nem nyomódik-e.

9. HIBAKÓDOK

LED	Hiba-kód	Probléma	Lehetséges ok	Megoldás
E5	E5	Megnyomja a jeladót, a kapu azonban nem mozdul.	1) A STOP kapcsoló nyitott.	1) Ellenőrizze, hogy a STOP kapcsoló nem nyitott vagy sérült-e.
			2) A STOP kapcsoló nem csatlakozik.	2) Ellenőrizze, hogy a STOP kapcsoló nincs-e leválasztva. Ha igen, csatlakoztassa újra a STOP kapcsolót, vagy módosítsa az adott bemeneti beállítást más értékre.
E7	E7	Megnyomja a jeladót, a kapu azonban nem mozdul.	Az 1. motor vezérlőtábla erősítője meghibásodott.	Kapcsolja ki az áramellátást 20 másodpercre, majd állítsa alaphelyzetbe, és nézze meg, hogy a vezérlőtábla helyreáll-e. Amennyiben nem, cserélje ki a vezérlőtáblát.
E8	E8	Megnyomja a jeladót, a kapu azonban nem mozdul.	A 2. motor vezérlőtábla erősítője meghibásodott.	Kapcsolja ki az áramellátást 20 másodpercre, majd állítsa alaphelyzetbe, és nézze meg, hogy a vezérlőtábla helyreáll-e. Amennyiben nem, cserélje ki a vezérlőtáblát.
E9	E9	Megnyomja a jeladót, a kapu azonban nem mozdul.	A vezérlőtábla memóriahibája.	Kapcsolja ki az áramellátást 20 másodpercre, majd állítsa alaphelyzetbe, és nézze meg, hogy a vezérlőtábla helyreáll-e. Amennyiben nem, cserélje ki a vezérlőtáblát.
F1	F1	Az 1. motor leáll vagy tolat nyitás vagy zárás közben.	Az 1. motor blokkolt.	Ellenőrizze, és hárítsa el az akadályt. Tisztítsa meg a kapu területét.
F2	F2	A 2. motor leáll vagy tolat nyitás vagy zárás közben.	A 2. motor blokkolt.	Ellenőrizze, és hárítsa el az akadályt. Tisztítsa meg a kapu területét.
F3	F3	Az 1. motor leáll vagy tolat nyitás vagy zárás közben.	Az 1. motor lefullad vagy a sebességszenzor sérült.	Ellenőrizze, hogy az 1. motor nem fullad-e le vagy a sebességszenzor nem sérült-e.
F4	F4	A 2. motor leáll vagy tolat nyitás vagy zárás közben.	A 2. motor lefullad vagy a sebességszenzor sérült.	Ellenőrizze, hogy a 2. motor nem fullad-e le vagy a sebességszenzor nem sérült-e.
F5	F5	Megnyomja a jeladót, de a motor nem működik.	A rádió modul meghibásodott.	Kapcsolja ki az áramellátást 20 másodpercre, majd állítsa alaphelyzetbe, és nézze meg, hogy a vezérlőtábla helyreáll-e. Amennyiben nem, cserélje ki a vezérlőtáblát.
F6	F6	A kapu zárás közben visszafelé halad.	Alacsony akkumulátor-töltöttség.	Töltse fel az akkumulátort.
F7	F7	Megnyomja a jeladót, a kapu azonban nem mozdul.	A vezérlőtábla sérült.	Kapcsolja ki az áramellátást 20 másodpercre, majd állítsa alaphelyzetbe, és nézze meg, hogy a vezérlőtábla helyreáll-e. Amennyiben nem, cserélje ki a vezérlőtáblát.
F9	F9	Megnyomja a jeladót vagy a nyomógombot, de a motor nem működik.	Az AP visszaállt gyári alapértelmezettre.	Tanítsa újra a határokat.
LE	LE	A motor hirtelen leáll.	Nyomja meg a C gombot a határtanulás közben.	Tanítsa újra a határokat.

10. MŰSZAKI ADATOK

		AA250EVK		AA250EVK	
Bemeneti feszültség	VAC	220-240	Külső kiegészítő áramellátás		24VDC - max. 500mA
Bemeneti frekvencia	Hz	50/60	Villogó lámpa csatlakozó		24VDC - max. 500mA
Motorfeszültség	VDC	24V	E-Lock /Mag lock csatlakozó		24VDC - max. 500mA
"Készenléti fogyasztás (tartozékok nélkül)"	W	3,2	Külső relé		24VDC - max. 500mA
Motor névleges teljesítménye	W	100W (AA250-24P) 50W (AA250-24S)	Biztonsági él		8,2 kOhm
Névleges terhelés	Nm	72,4	Max. IR mennyiség		3
Maximum nyomaték	Nm	200	Max. külső bemenet mennyiség		3
Ciklus/óra		10	Akkumulátoros tartalék energiaellátás (BBU)		2 x 12V, 2.2Ah akkumulátor, 490EV modell
Max. ciklus/nap		30	Külső behatásokkal szembeni védettség, motor	IP	44
Max. szárnyszélesség / súly	m / kg	1,5m / 250kg 2,0m / 200kg 2,5m / 150kg	Zajszint	dB	< 70 db(A)
Max. nyitási szög		120°	Üzemi hőmérséklet	°C	-20°C - +55°C
A 90°-os nyitáshoz szükséges idő	s	13-15	Súly (készlet)	Kg	20
Határ rendszer		Jeladó hard stoppal	Jeladó frekvencia	TX4EVF	868MHz (868.30MHz, 868.95MHz, 869.85MHz)
Üzemi rádiófrekvencia	MHz	RX 433MHz (433.30MHz, 433.92MHz, 434.54MHz) RX 868MHz (868.30MHz, 868.95MHz, 869.85MHz) TX 865.125MHz, 865.829MHz, 866.587MHz <10mW	Küldőerő		<10mW
Küldőerő			Akkumulátor	CR2032 3V	
Kód		Security+ 2.0			
Max. távirányító mennyiség		180			
Max. billentyűzet mennyiség		4			
Max. myQ eszköz mennyiség		16			

11. KARBANTARTÁS

Cserélje az elemeket a távirányítóban

A távirányítóban lévő elem:

A távirányítóban lévő elemek rendkívül hosszú élettartammal rendelkeznek. Amikor a jeladó tartomány szűkül, az elemeket cserélni kell. Az elemekre a jótállás nem vonatkozik.

Az elemeket illetően kövesse az alábbi utasításokat:

Az elemek nem kezelhetők háztartási hulladékként. Valamennyi fogyasztó jogszabályban előírt kötelessége, hogy a kimerült elemeket megfelelően, a kijelölt gyűjtőpontokon helyezze el. Soha ne próbálja újratölteni a nem újratölthető elemeket.

Robbanásveszély!

Tartsa az elemeket gyermekektől távol, ne zárja rövide, és ne szerelje szét. Ha az elemet lenyelték, azonnal hívjon orvosi segítséget. Szükség esetén tisztítsa meg az elemek és a készülékek csatlakozófelületét. A lemerült elemeket azonnal vegye ki a készülékből!

Megnövekedett szívágaskockázat!

Az elemeket soha ne tegye ki erős hőhatásnak, például napfénynek, tűznek vagy hasonlóknak!

Ez nagyobb szívágaskockázattal jár!

Kerülje a bőrrel, szemmel és szájjal való érintkezést. Az elemből szivárgó savval érintett részeket öblítse bő hideg vízzel, és azonnal hívjon orvosi segítséget. Csak azonos típusú elemeket használjon. Amennyiben hosszú ideig nem használja a készüléket, vegye ki az elemeket.

Elemcsere:

Az elemcseréhez fordítsa meg a távirányítót, majd nyissa ki a burkolatot egy csavarhúzóval. Emelje meg a fedelet és az alatta lévő vezérlőtáblát. Csúsztassa egyik oldalra az elemet, és vegye ki. Ügyeljen az elem pólusára! A lépéseket megfordítva szerelje össze.

FIGYELEM!

Az elem nem megfelelő cseréje esetén robbanásveszély áll fenn. Csak azonos vagy egyenértékű elemmel cserélje (CR2032) 3V.

ELŐVIGYÁZATOSSÁG

Robbanásveszély, ha az elemet nem megfelelő típusúra cseréli.

Az elemet ne nyelje le, kémiai égésveszély!

A termék gombelemet tartalmaz. Lenyelés esetén a gombelemek sérülést vagy halált okozhatnak.

FIGYELMEZTETÉS

- Az elemeket tartsa gyermekektől távol, a gombelemek gyermekek számára veszélyesek lehetnek.
- Az elhasznált gombelemeket azonnal ártalmatlanítsa. Ne használjon hibás/lenyelt elemeket.
- Rendszeresen ellenőrizze az elemtartók biztonságosságát, hiba esetén ne használja tovább.
- Ha az elemet esetleg lenyelte, vagy az bejutott bármely testrészbe, azonnal hívjon orvosi segítséget.



A hajtómechanizmus

A hajtómechanizmus karbantartásmentes. Rendszeresen (havonta) ellenőrizze a kapuszerelvények és a hajtómechanizmus biztos rögzítettségét. Oldja ki a hajtóművet, és ellenőrizze a kapu megfelelő működését. Amennyiben a kapu nem mozog akadálymentesen és simán, a hajtómechanizmussal sem fog. A hajtómű nem tudja a nem megfelelően működő kapu hibáit, problémáit orvosolni.


Végálláskapcsoló beállítás és erőszabályozás


A nyitószerkezet telepítése során az alábbi beállításokat kell ellenőrizni és helyesen elvégezni! Kopás miatt apróbb változások jelentkezhetnek a kapunyitó működtetése közben, amelyek új beállításokkal korrigálhatók. Mindez különösen az első évben történhet meg. Kövesse pontosan a csúszás/mozgáshatárok és az erő beállítására vonatkozó utasításokat (lásd a Határtanulási szakasz c. fejezetét a 11. és 12. oldalon), és minden új beállítást követően ellenőrizze újra az automata biztonsági hátramenetet!

Szétszerelés

FONTOS Megjegyzés! Kövesse biztonsági figyelmeztetéseket. Lásd a "Biztonsági útmutatót" (2. és 3. oldal). A „telepítés/beszerelés” fejezetben leírt lépések, fordított sorrendben. Hagyja figyelmen kívül a beállításokra vonatkozó utasításokat.

12. ÁRTALMATLANÍTÁS

 Elektromos és elektronikus készülékeink háztartási hulladékkal együtt nem ártalmatlaníthatók, és a használatot követő ártalmatlanításuknak a WEEE irányelvvel összhangban kell történnie: 2012/19/EU; GB UK(NI): SI 2012 nr. 19 a hulladékká vált elektromos és elektronikus berendezésekről - biztosítandó az anyagok újrahasznosítását. A hulladékká vált elektromos eszközök külön gyűjtése környezetbarát ártalmatlanítást jelent, és teljes egészében ingyenes a fogyasztó számára. WEEE reg. sz. Németországban: DE66256568. A végfelhasználónál maradó bármely csomagolóanyagot külön kell gyűjteni a vegyes szeméttől, az Irányelvben foglaltak szerint. A csomagolás sem a háztartási hulladékkal, sem az organikus hulladékkal, sem a természetben nem ártalmatlanítható. A csomagolóanyagokat anyaguknak megfelelően szét kell válogatni, és a közterületeken kihelyezett, újrahasznosítható anyagokat gyűjtő konténerekben kell elhelyezni.

 Elemeinket/akkumulátorainkat a jogszabályokkal összhangban értékesítjük. Az „áthúzott szeméttároló edény” azt jelzi, hogy az elemek/akkumulátorok a háztartási hulladékkal együtt nem dobhatók ki. A termék tartalmazza az elemeket/akkumulátorokat (műszaki adatok). A környezetet vagy emberi egészséget érintő károk elkerülése érdekében a használt elemeket önkormányzati újrahasznosító központokba vagy üzletekben elhelyezett gyűjtőhelyekre kell visszavinni, a jogszabályi előírások szerint. Az elemek/akkumulátorok csak teljesen lemerült állapotban ártalmatlaníthatók, a lítium akkumulátorok esetében a csatlakozóvégeket le kell ragasztani. Amikor ártalmatlanításra kerülnek, az elemek/akkumulátorok egyszerűen kivehetők termékeinkből. Regisztrációs szám Németországban: 21002670.

13. JÓTÁLLÁS

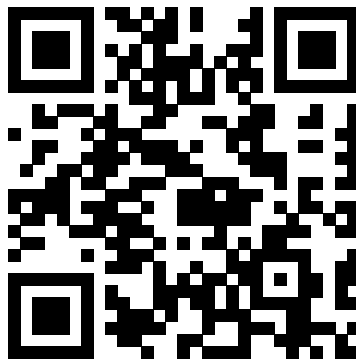
Jelen gyártói jótállás nem érinti a jogszabályok szerinti jogait. A jótállási feltételeket illetően lásd a www.liftmaster.eu oldalt.

14. MEGFELELŐSÉGI TANÚSÍTVÁNY

Jelen használati kézikönyv jelen működtetési utasításokat és a megfelelőségi tanúsítványt tartalmazza.

A rádiókészülék típusa (TX4EVF) megfelel a 2014/53/EU irányelvnek, illetve az EK-ban az SI 2017 No. 1209 rádióberendezésekről szóló rendeletnek.

Az európai megfelelőségi tanúsítvány teljes szövege az alábbi internetes címen érhető el: <https://doc.chamberlain.de>



Chamberlain GmbH
Saar-Lor-Lux-Str. 19
66115 Saarbrücken
Germany
WEEE-Reg.Nr. DE66256568
www.liftmaster.eu
info@liftmaster.eu

